



LED Sport Light

Premium Series

► **DESIGN & OPTIONS** - LED SPORT LIGHTS have a seamless link of aerometal materials and numerous vents on the heat sink for improved heat management to ensure stability. Advanced free-form optics designed with unique multi-scale lenses creates uniform light distribution, while the glare-reduction maximizes the light output. All fixtures are equipped with a 0-10V dimmable driver and 10Kv surge protection. It comes in 120-277V or 200-480V with a 5000K or 5700K color temperature and a BLACK finish.

► **INSTALLATION** - This fixture can be mounted in a few different ways: with a standard floodlight bracket, using a rotatable base with a straight arm bracket, or a slip fitter with a straight arm bracket. Refer to install instructions for more information.

► **APPLICATION** - This LED SPORT LIGHT offers versatility for any outdoor sports lighting, parking lot lighting, dock lighting, high mast flood lighting, and stadium lighting. It is Wet location rated and can operate in temperatures ranging from -40°+122°F (-40°+50°C), allowing it to be utilized in a wide variety of applications and climates.

► **ENERGY SAVINGS & EFFICIENCY** - This fixture provides a lumen output equal to MH/HPS and can cut your electric bill by up to 80% instantly. With a lifespan of 54,000 hours, these fixtures are made to last decades under normal operation! This fixture will save you a significant amount of money in its lifetime.

► **CERTIFICATION & WARRANTY** - Buy with confidence: ASD provides a 7-year limited warranty along with UL and DLC Premium certifications to guarantee top quality products and safety!

Top US certifications allow participation in rebates; please check the rebate programs available in your state.

Catalog number	
Notes	
Type	



PRODUCT LEGEND:

Family	Voltage	Beam Angel	Watts	Dimmable	CCT	Series
ASD-SPFL	XX	XX	XX	X	XX	PRM
LED Sport Light	Blank = 120-277 V HV = 200-480 V	15 = 15° Blank = 45° 300-500 W Blank = 40° 750 W	300 = 300 W 500 = 500 W 750 = 750 W	D = Dimmable	50 = 5,000 K 57 = 5,700 K	Premium

LED SPORT LIGHT:

Model	Watts	Voltage	Dimming	Lumens	CCT	Dimensions (LxWxH)	Beam Angle	Cord
ASD-SPFL/15-300D50-PRM	300 W	120-277 V	0-10V	40,970 lm	5,000 K	15 5/8" x 14 1/2" x 14 1/2"	15°	6.5 ft
ASD-SPFL/15-500D50-PRM	500 W	120-277 V	0-10V	66,271 lm	5,000 K	15 5/8" x 14 1/2" x 14 1/2"	15°	6.5 ft
ASD-SPFL-300D50-PRM	300 W	120-277 V	0-10V	40,483 lm	5,000 K	15 5/8" x 14 1/2" x 14 1/2"	45°	6.5 ft
ASD-SPFL-300D57-PRM	300 W	120-277 V	0-10V	40,784 lm	5,700 K	15 5/8" x 14 1/2" x 14 1/2"	45°	6.5 ft
ASD-SPFL-500D50-PRM	500 W	120-277 V	0-10V	66,286 lm	5,000 K	15 5/8" x 14 1/2" x 14 1/2"	45°	6.5 ft
ASD-SPFL-500D57-PRM	500 W	120-277 V	0-10V	66,908 lm	5,700 K	15 5/8" x 14 1/2" x 14 1/2"	45°	6.5 ft
ASD-SPFL-750D50-PRM	750 W	120-277 V	0-10V	98,888 lm	5,000 K	19 3/4" x 18 5/8" x 18 5/8"	40°	6.5 ft
ASD-SPFL-750D57-PRM	750 W	120-277 V	0-10V	99,780 lm	5,700 K	19 3/4" x 18 5/8" x 18 5/8"	40°	6.5 ft
ASD-SPFLHV/15-300D50-PRM	300 W	200-480 V	0-10V	40,646 lm	5,000 K	15 5/8" x 14 1/2" x 14 1/2"	15°	6.5 ft
ASD-SPFLHV/15-500D50-PRM	500 W	200-480 V	0-10V	66,232 lm	5,000 K	15 5/8" x 14 1/2" x 14 1/2"	15°	6.5 ft
ASD-SPFLHV-300D50-PRM	300 W	200-480 V	0-10V	40,507 lm	5,000 K	15 5/8" x 14 1/2" x 14 1/2"	45°	6.5 ft
ASD-SPFLHV-500D50-PRM	500 W	200-480 V	0-10V	66,352 lm	5,000 K	15 5/8" x 14 1/2" x 14 1/2"	45°	6.5 ft
ASD-SPFLHV-500D57-PRM	500 W	200-480 V	0-10V	66,941 lm	5,700 K	15 5/8" x 14 1/2" x 14 1/2"	45°	6.5 ft
ASD-SPFLHV-750D50-PRM	750 W	200-480 V	0-10V	98,669 lm	5,000 K	19 3/4" x 18 5/8" x 18 5/8"	40°	6.5 ft
ASD-SPFLHV-750D57-PRM	750 W	200-480 V	0-10V	99,497 lm	5,700 K	19 3/4" x 18 5/8" x 18 5/8"	40°	6.5 ft

DIMMING COMPATIBLE CONTROLS:

Brand	Models			
Leviton	ZS057-D0Z	IP710	DS710	DD710
Lutron	DVTV	DVSTV	NTSTV	MS-Z101

For most up-to-date spec sheets please refer to asd-lighting.com

ASD LIGHTING CORP

E-mail: orders@asd-lighting.com | Web site: www.asd-lighting.com





LED Sport Light

Premium Series

PRODUCT SPECIFICATIONS:

Construction & Materials						
Lens	PC					
Reflector	Steel					
Housing	Aluminum					
Finish	Black/Red					
Weight	ASD-SPFL/15-300D50-PRM	29.6 lbs (13.4 kg)	ASD-SPFL-500D57-PRM	31.3 lbs (14.2 kg)	ASD-SPFLHV-300D50-PRM	29.9 lbs (13.6 kg)
	ASD-SPFL/15-500D50-PRM	29.6 lbs (13.4 kg)	ASD-SPFL-750D50-PRM	54.5 lbs (24.7 kg)	ASD-SPFLHV-500D50-PRM	31.3 lbs (14.2 kg)
	ASD-SPFL-300D50-PRM	29.6 lbs (13.4 kg)	ASD-SPFL-750D57-PRM	54.5 lbs (24.7 kg)	ASD-SPFLHV-500D57-PRM	31.3 lbs (14.2 kg)
	ASD-SPFL-300D57-PRM	29.6 lbs (13.4 kg)	ASD-SPFLHV/15-300D50-PRM	29.9 lbs (13.6 kg)	ASD-SPFLHV-750D50-PRM	55.9 lbs (25.3 kg)
	ASD-SPFL-500D50-PRM	31.3 lbs (14.2 kg)	ASD-SPFLHV/15-500D50-PRM	31.3 lbs (14.2 kg)	ASD-SPFLHV-750D57-PRM	55.9 lbs (25.3 kg)
Environmental System			Warranty & Certifications			
Work Environment	Suitable for Wet Locations, IP66		Warranty 7-years for operating less than 19Hrs per day, with ambient temperature <40°			
Operating Temperature	-40°F to 122°F (-40°C to 50°C)		DesignLights Consortium (DLC) listed (Classification: Premium) · Main: Outdoor Luminaires; · General Application: Very High Output; · Primary Use: Outdoor Pole/Arm-Mounted Area and Roadway Luminaires			
L-70 Life	R > 54,000 hrs, C > 145,000 hrs		cULus listed E473804			
Optical System						
Luminous Flux	ASD-SPFL/15-300D50-PRM	40,970 lm	ASD-SPFL-500D57-PRM	66,908 lm	ASD-SPFLHV-300D50-PRM	40,507 lm
	ASD-SPFL/15-500D50-PRM	66,271 lm	ASD-SPFL-750D50-PRM	98,888 lm	ASD-SPFLHV-500D50-PRM	66,352 lm
	ASD-SPFL-300D50-PRM	40,483 lm	ASD-SPFL-750D57-PRM	99,780 lm	ASD-SPFLHV-500D57-PRM	66,941 lm
	ASD-SPFL-300D57-PRM	40,784 lm	ASD-SPFLHV/15-300D50-PRM	40,646 lm	ASD-SPFLHV-750D50-PRM	98,669 lm
	ASD-SPFL-500D50-PRM	66,286 lm	ASD-SPFLHV/15-500D50-PRM	66,232 lm	ASD-SPFLHV-750D57-PRM	99,497 lm
Color Temperature	5,000 K; 5,700 K					
CRI	ASD-SPFL/15-300D50-PRM	>70	ASD-SPFL-500D57-PRM	>80	ASD-SPFLHV-300D50-PRM	>80
	ASD-SPFL/15-500D50-PRM	>70	ASD-SPFL-750D50-PRM	>70	ASD-SPFLHV-500D50-PRM	>80
	ASD-SPFL-300D50-PRM	>80	ASD-SPFL-750D57-PRM	>70	ASD-SPFLHV-500D57-PRM	>80
	ASD-SPFL-300D57-PRM	>80	ASD-SPFLHV/15-300D50-PRM	>70	ASD-SPFLHV-750D50-PRM	>70
	ASD-SPFL-500D50-PRM	>80	ASD-SPFLHV/15-500D50-PRM	>70	ASD-SPFLHV-750D57-PRM	>70
Electrical System						
Input Voltage	Regular Voltage 120-277V AC		High Voltage 200-480V AC			
Max input current	ASD-SPFL/15-300D50-PRM	2.5 A	ASD-SPFL-500D57-PRM	4.2 A	ASD-SPFLHV-300D50-PRM	1.1 A
	ASD-SPFL/15-500D50-PRM	4.2 A	ASD-SPFL-750D50-PRM	6.3 A	ASD-SPFLHV-500D50-PRM	1.8 A
	ASD-SPFL-300D50-PRM	2.5 A	ASD-SPFL-750D57-PRM	6.3 A	ASD-SPFLHV-500D57-PRM	1.8 A
	ASD-SPFL-300D57-PRM	2.5 A	ASD-SPFLHV/15-300D50-PRM	1.1 A	ASD-SPFLHV-750D50-PRM	2.7 A
	ASD-SPFL-500D50-PRM	4.2 A	ASD-SPFLHV/15-500D50-PRM	1.8 A	ASD-SPFLHV-750D57-PRM	2.7 A
Inrush current	ASD-SPFL/15-300D50-PRM	70 A	ASD-SPFL-500D57-PRM	75 A	ASD-SPFLHV-300D50-PRM	50 A
	ASD-SPFL/15-500D50-PRM	75 A	ASD-SPFL-750D50-PRM	65 A	ASD-SPFLHV-500D50-PRM	50 A
	ASD-SPFL-300D50-PRM	70 A	ASD-SPFL-750D57-PRM	65 A	ASD-SPFLHV-500D57-PRM	50 A
	ASD-SPFL-300D57-PRM	75 A	ASD-SPFLHV/15-300D50-PRM	50 A	ASD-SPFLHV-750D50-PRM	50 A
	ASD-SPFL-500D50-PRM	75 A	ASD-SPFLHV/15-500D50-PRM	50 A	ASD-SPFLHV-750D57-PRM	35 A
Action time (Inrush current)	ASD-SPFL/15-300D50-PRM	0.85 S	ASD-SPFL-500D50-PRM	0.57 S	ASD-SPFLHV-300D50-PRM	0.85 S
	ASD-SPFL/15-500D50-PRM	0.53 S	ASD-SPFL-750D50-PRM	0.45 S	ASD-SPFLHV-500D50-PRM	0.53 S
	ASD-SPFL-300D50-PRM	1 S	ASD-SPFL-750D57-PRM	0.45 S	ASD-SPFLHV-500D57-PRM	0.53 S
	ASD-SPFL-300D57-PRM	0.57 S	ASD-SPFLHV/15-300D50-PRM	0.85 S	ASD-SPFLHV-750D50-PRM	0.53 S
	ASD-SPFL-500D57-PRM	0.57 S	ASD-SPFLHV/15-500D50-PRM	0.53 S	ASD-SPFLHV-750D57-PRM	0.53 S
AC input range	Regular Voltage min 90 V max 305 V		High Voltage min 180 V max 528 V			
Off State Power	0 W					
Power Consumption	ASD-SPFL/15-300D50-PRM	300 W	ASD-SPFL-500D57-PRM	500 W	ASD-SPFLHV-300D50-PRM	300 W
	ASD-SPFL/15-500D50-PRM	500 W	ASD-SPFL-750D50-PRM	750 W	ASD-SPFLHV-500D50-PRM	500 W
	ASD-SPFL-300D50-PRM	300 W	ASD-SPFL-750D57-PRM	750 W	ASD-SPFLHV-500D57-PRM	500 W
	ASD-SPFL-300D57-PRM	300 W	ASD-SPFLHV/15-300D50-PRM	300 W	ASD-SPFLHV-750D50-PRM	750 W
	ASD-SPFL-500D50-PRM	500 W	ASD-SPFLHV/15-500D50-PRM	500 W	ASD-SPFLHV-750D57-PRM	750 W
Power Factor	> 0.9					
Output voltage	48V					
Max output current	ASD-SPFL/15-300D50-PRM	6.0 A	ASD-SPFL-500D57-PRM	9.7 A	ASD-SPFLHV-300D50-PRM	5.9 A
	ASD-SPFL/15-500D50-PRM	9.7 A	ASD-SPFL-750D50-PRM	14.7 A	ASD-SPFLHV-500D50-PRM	9.7 A
	ASD-SPFL-300D50-PRM	6.0 A	ASD-SPFL-750D57-PRM	14.7 A	ASD-SPFLHV-500D57-PRM	9.7 A
	ASD-SPFL-300D57-PRM	6.0 A	ASD-SPFLHV/15-300D50-PRM	5.9 A	ASD-SPFLHV-750D50-PRM	14.5 A
	ASD-SPFL-500D50-PRM	9.7 A	ASD-SPFLHV/15-500D50-PRM	9.7 A	ASD-SPFLHV-750D57-PRM	14.5 A
LED Driver Class	Class I					
Effective projected area (EPA)	Standard bracket					
	300-500W;	1,371ft ²				
	600-1250W	2,021 ft ²				

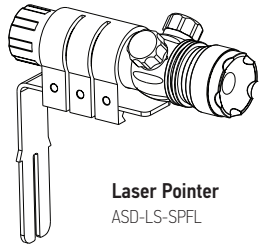
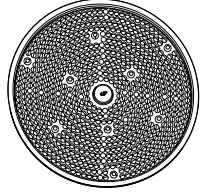
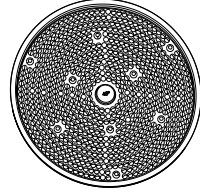
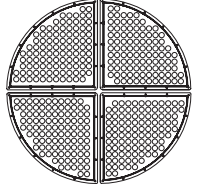
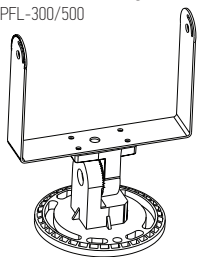
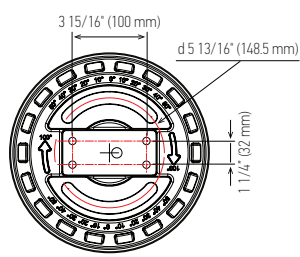
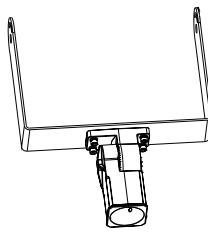
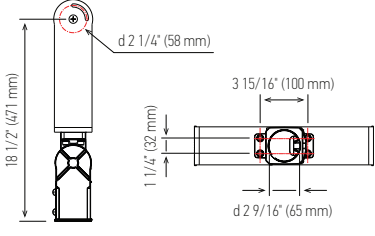
For most up-to-date spec sheets please refer to asd-lighting.com



LED Sport Light

Premium Series

ACCESSORIES:

 <p>Laser Pointer ASD-LS-SPFL</p>	<p>Lens 30° NEMA4 for 300-500W ASD-L30-SPFL-300/500</p> 	<p>Lens 80° NEMA6 for 300-500W ASD-L80-SPFL-300/500</p> 	<p>Lens 15° NEMA3 for 600-1250W ASD-L15-SPFL-600/1250</p> 
<p>Rotatable Base with straight arm bracket for 300-500W ASD-RB-SPFL-300/500</p>   <p>3 15/16" (100 mm) d 5 13/16" (148.5 mm) 1 1/4" (32 mm)</p>		<p>Slip-fitter with straight arm bracket for 300-500W ASD-SF-SPFL-300/500</p>   <p>d 2 1/4" (58 mm) 18 1/2" (471 mm) 1 1/4" (32 mm) 3 15/16" (100 mm) d 2 9/16" (65 mm)</p>	

INSTALLATION GUIDE

IMPORTANT SAFETY INFORMATION:

Please read all the instructions below before installation.

- ▶ Make sure that the supply voltage corresponds to the rated product voltage.
- ▶ The product must be installed by a qualified electrician in accordance with the National Electrical Code and corresponding local codes.
- ▶ If the product is damaged, do not use it.

⚠ WARNING

RISK OF PERSONAL INJURY – READ and follow all WARNINGS and installation instructions.

Keep or give to the owner for future reference.

Risk of cuts: Wear gloves to prevent cuts or abrasions when removing from carton, handling, installing, and maintaining this product.

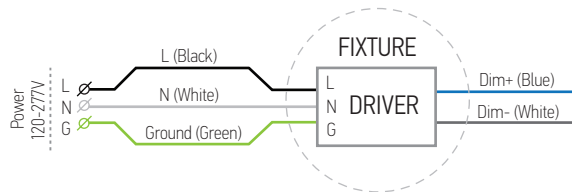
Risk of electric shock: This product must be installed in accordance with the applicable installation code by a person familiar with the construction and operation of the product and the hazards involved.

Risk of Fire: Minimum 194°F supply conductors. Consult a qualified electrician to ensure correct branch circuit conductor.

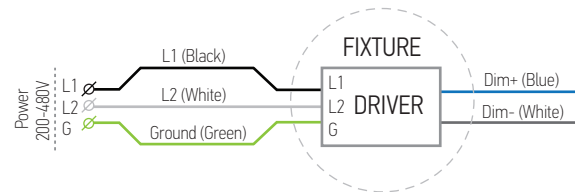
ASD® assumes no responsibility for claims arising out of improper or careless installation or handling of this product.

ELECTRICAL SCHEMATIC DIAGRAM

REGULAR VOLTAGE

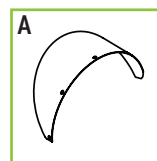


HIGH VOLTAGE



PACKAGE CONTENTS:

Description	Q-ty
LED Sport Light Fixture	1
Visor (A)	1
Box	1
Cut Sheet	2



For most up-to-date spec sheets please refer to asd-lighting.com

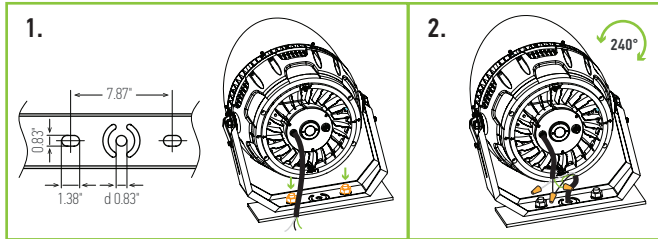


LED Sport Light

Premium Series

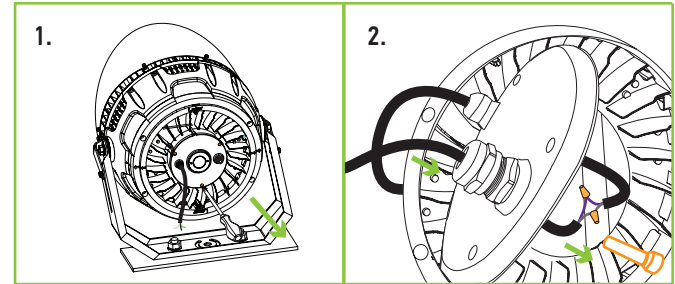
INSTALLATION STEPS

- Figure 1 shows the bolt pattern of the mount. Secure the fixture using the 2 mounting holes.
- Pull the wire through the center hole to complete the wiring. Make sure that your connection is watertight.



DIMMING WIRE CONNECTION

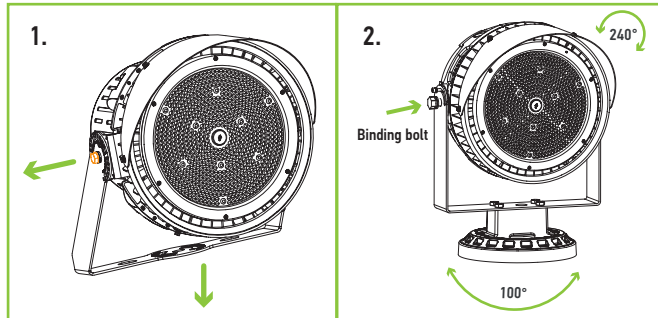
- Using a screw driver remove the circular plate on the back of the fixture.
- Connect the dimming wires and bring them through the back plate. Reattach cover and tighten the bolts. If the cover is installed incorrectly the warranty will be voided. Make sure that your connection is watertight.



ROTATABLE BASE 300-500W INSTALLATION

ASD-RB-SPFL-300/500 sold separately:

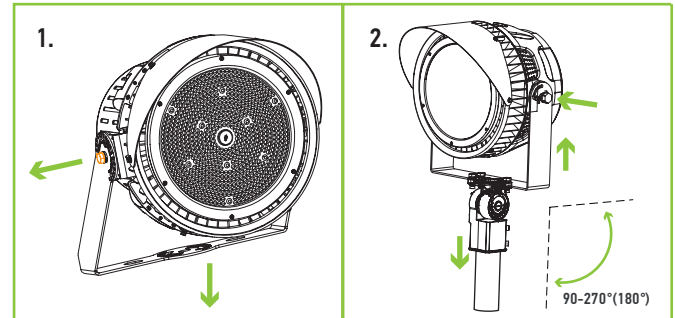
- Use a wrench to loosen the screw on original U bracket and remove it.
- Install the straight arm bracket onto the rotatable base. Install the fixture. Adjust to desired angle with binding bolt.



SLIP-FITTER 300-500W INSTALLATION

ASD-SF-SPFL-300/500 sold separately:

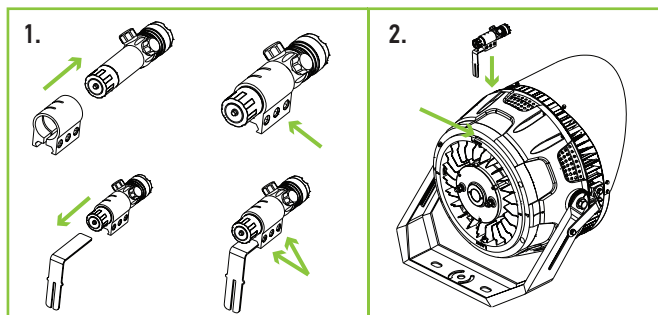
- Use a wrench to loosen the screw on original U bracket and remove it.
- Install the straight arm bracket onto the slip fitter. Install the fixture onto the new bracket. Angles can be adjusted with the slip fitter or binding bolts.



LASER POINTER INSTALLATION

ASD-LS-SPFL sold separately:

- Attach the laser pointer to the holder. Loosen the hex screws. Slide the holder over the L bracket. Tighten the hex screws.
- Find the mounting hole marked "Laser" on the lighting fixture. Attach.



For most up-to-date spec sheets please refer to asd-lighting.com



LED Sport Light

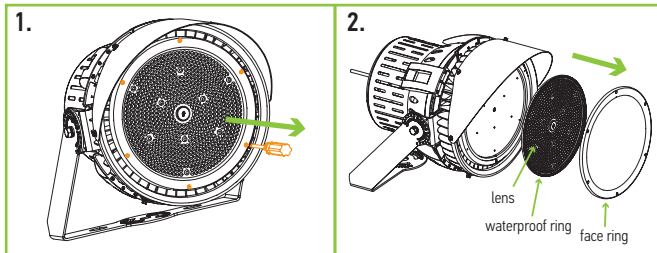
Premium Series

LENS INSTALLATION FOR 300-500W

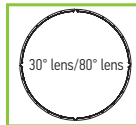
ASD-L30-SPFL-300/500 | **ASD-L80-SPFL-300/500**

sold separately:

- Using a screwdriver to remove screws from the lamp's cover, total 6pcs
- Remove the face ring and lens with waterproof ring from the lamp body. Remove the waterproof ring from the lens and mount it on the replaced lens. Line the positioning column of the lens with the waterproof ring on the positioning hole of the aluminum substrate. Install the screw head on the lens above the lamp body to fill the screw head vacancy. Lock the face ring screws with the screwdriver. Make sure that your connection is watertight.



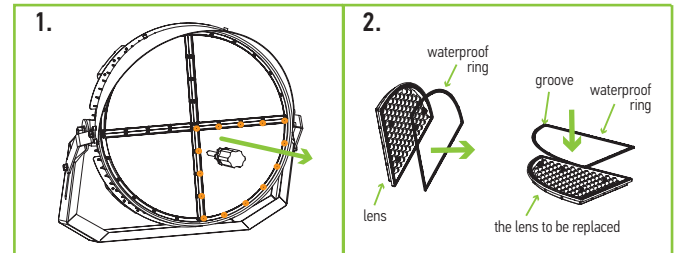
Power	300 W	500 W
30°	1 pcs 30° lens	
45°	Default	
80°	1pcs 80° lens	



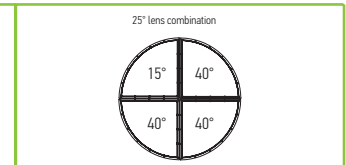
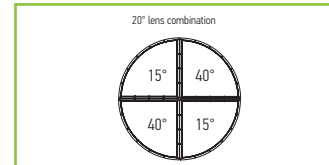
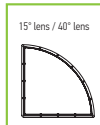
LENS INSTALLATION FOR 750W

ASD-L15-SPFL-600/1250 sold separately:

- Using screw driver to remove the screws from the lens. Total 56 pcs of crews.
- Taking off the waterproof ring from lens. Putting waterproof ring on the new lens. Please note that the grooved side of the ring faces out. Align the positioning post on the lens of the waterproof ring with the positioning hole on the aluminum substrate to position the lens. Lock the lens tightly with a screwdriver. Make sure that your connection is watertight.



Power	750 W
15°	4 pcs 15° lens
20°	2 pcs 15° lens + 2 pcs 40° lens
25°	1pcs 15° lens + 3pcs 40° lens
40°	Default



ORDERING INFORMATION

Model	Watts	CCT	UPC	Pcs in one Carton	Carton Size	Carton Weight
ASD-SPFL/15-300D50-PRM	300	5,000 K	819201026326	1	17.7" x 17.7" x 14.0"	29.63 lbs
ASD-SPFL/15-500D50-PRM	500	5,000 K	819201026333	1	17.7" x 17.7" x 14.0"	29.63 lbs
ASD-SPFL-300D50-PRM	300	5,000 K	819201024674	1	17.7" x 17.7" x 14.0"	34.79 lbs
ASD-SPFL-300D57-PRM	300	5,700 K	819201028443	1	17.7" x 17.7" x 14.0"	34.79 lbs
ASD-SPFL-500D50-PRM	500	5,000 K	819201024681	1	17.7" x 17.7" x 14.0"	36.38 lbs
ASD-SPFL-500D57-PRM	500	5,700 K	819201027859	1	17.7" x 17.7" x 14.0"	36.38 lbs
ASD-SPFL-750D50-PRM	750	5,000 K	819201024698	1	24.4" x 22.4" x 16.3"	54.45 lbs
ASD-SPFL-750D57-PRM	750	5,700 K	819201027866	1	24.4" x 22.4" x 16.3"	64.82 lbs
ASD-SPFLHV/15-300D50-PRM	300	5,000 K	819201026340	1	17.7" x 17.7" x 14.0"	29.89 lbs
ASD-SPFLHV/15-500D50-PRM	500	5,000 K	819201026357	1	17.7" x 17.7" x 14.0"	31.26 lbs
ASD-SPFLHV-300D50-PRM	300	5,000 K	819201026272	1	17.7" x 17.7" x 14.0"	29.89 lbs
ASD-SPFLHV-500D50-PRM	500	5,000 K	819201025749	1	17.7" x 17.7" x 14.0"	31.26 lbs
ASD-SPFLHV-500D57-PRM	500	5,700 K	819201027873	1	17.7" x 17.7" x 14.0"	36.42 lbs
ASD-SPFLHV-750D50-PRM	750	5,000 K	819201026289	1	24.4" x 22.4" x 16.3"	55.87 lbs
ASD-SPFLHV-750D57-PRM	750	5,700 K	819201027897	1	24.4" x 22.4" x 16.3"	66.23 lbs

ACCESSORIES:

Model	Name	Materials	Weight	Dimensions
ASD-SF-SPFL-300/500	ASD Slip-fitter with straight arm bracket	Aluminum	7.72 lbs (3.5 kg)	14 3/4" x 3 1/2" x 18 1/2"
ASD-RB-SPFL-300/500	ASD Rotatable Base with straight arm bracket	Aluminum	11.35 lbs (5.15 kg)	14 3/4" x 10 5/8" x 18 3/4"
ASD-LS-SPFL	ASD Laser Pointer	Aluminum	0.88 lbs (0.40 kg)	6" x 1 1/8" x 3 1/8"
ASD-L30-SPFL-300/500	30° Lens for 300-500W	PC	0.46 lbs (0.21 kg)	10 5/8" x 10 5/8" x 3/8"
ASD-L80-SPFL-300/500	80° Lens for 300-500W	PC	0.46 lbs (0.21 kg)	10 5/8" x 10 5/8" x 3/8"
ASD-L15-SPFL-600/1250	15° Lens for 600-1,250W	PC	0.53 lbs (0.24 kg)	8 5/8" x 8 5/8" x 5/8"

Model	Pcs in one Carton	Carton Size	Carton Weight	UPC	GTIN 14
ASD-SF-SPFL-300/500	5	19.9" x 15.9" x 12.4	42.5 lbs	819201026418	10819201026415
ASD-RB-SPFL-300/500	2	22.2" x 15.9" x 12.4	24.7 lbs	819201026425	10819201026422
ASD-LS-SPFL	10	12.2" x 12.2" x 7.5"	12.8 lbs	819201026432	10819201026439
ASD-L30-SPFL-300/500	20	12.2" x 12.2" x 8.46"	11.02 lbs	819201024704	10819201024701
ASD-L80-SPFL-300/500	20	12.2" x 12.2" x 8.46"	11.02 lbs	819201025770	10819201025777
ASD-L15-SPFL-600/1250	20	12.2" x 12.2" x 8.46"	12.35 lbs	819201024711	10819201024718

For most up-to-date spec sheets please refer to asd-lighting.com

ASD LIGHTING CORP

E-mail: orders@asd-lighting.com | Web site: www.asd-lighting.com

