



LED Gooseneck light

Standard Series

ASD LED Gooseneck barn light can bring out the best lighting to your application with a perfect bright.

It comes with a pre-installed dusk to dawn photocell for the light to automatically come on and off, which could be easily disconnected.

The energy-efficient nature of LED lighting saves money in the long run. Spend less time changing bulbs with ASD LED gooseneck lights!

It is the smart choice for lighting in barn, backyards, building walls, restaurants and security areas.

Catalog number	
Notes	
Type	

FEATURES AND BENEFITS:

- ▶ Build in dusk to dawn photocell sensor
- ▶ High quality aluminum housing
- ▶ No maintains
- ▶ Wet location IP65
- ▶ Low power consumption
- ▶ Green and eco-friendly without mercury
- ▶ Operation temperature -40+104°F
- ▶ L-70 Life > 50,000 hrs
- ▶ Energy Star certified
- ▶ 3 Year warranty



ORDERING MATRIX:

Family	Modification	Watts	Dimmable	CCT	Finish	Photocell
ASD-GNL	2	XX	X	XX	X	PC
LED Gooseneck light		30 = 30 W	N = Non-dimmable	30 = 3,000 K 50 = 5,000 K	B = Bronze	

LED GOOSENECK LIGHT:

Model	Shade Size	Watts	Dimming	CCT	Lumens	Dimensions (LxWxH)	Finish
ASD-GNL2-30N30B-PC	10"	30	No	3,000 K	2,120 lm	9 3/8" x 16 7/8" x 8 5/8"	Bronze
ASD-GNL2-30N50B-PC	10"	30	No	5,000 K	2,325 lm	9 3/8" x 16 7/8" x 8 5/8"	Bronze



LED Gooseneck light

Standard Series

PRODUCT SPECIFICATIONS:

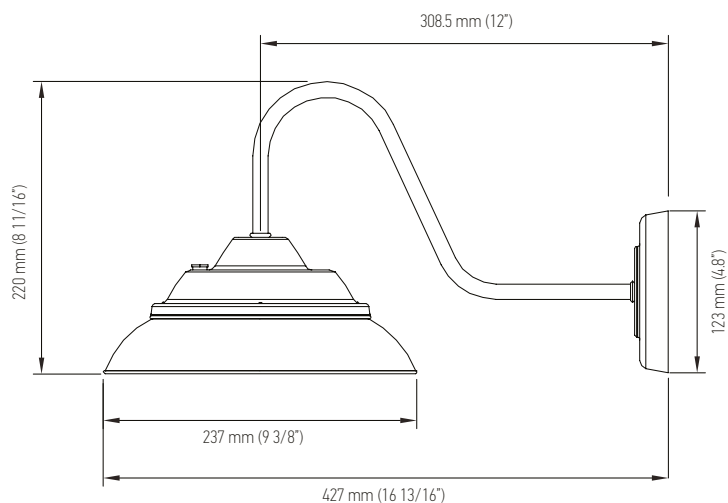
Construction & Materials				
Lens	PC			
Housing	Aluminum			
Finish	Bronze			
Weight	2.07 lbs (0.9 kg)			
Environmental System				
Work Environment	Suitable for Wet Locations, IP65			
Operating Temperature	-40°F to 104°F (-40°C to 40°C)			
L-70 Life	> 50,000 hrs			
Optical System				
Luminous Flux	ASD-GNL2-30N30B-PC	2,120 lm	ASD-GNL2-30N50B-PC	2,325 lm
Color Temperature	3,000 K, 5,000 K			
CRI	>85			
Electrical System				
Input Voltage	100-277V AC 50/60 Hz			
Max input current	0.5 A			
Inrush current	0.7 A			
Action time (Inrush current)	< 0.75s			
AC input range	min 100 V max 305 V			
Off State Power	0 W			
Power Consumption	30 W			
Power Factor	0.98			
Output voltage	50-72 V			
Max output current	450 mA			
LED Driver Class	Class 2			
Warranty & Certifications				
3-year limited warranty				
Energy Star certified				
ETL certified				

The LED Gooseneck light is designed to install as a surface mounted luminaire.

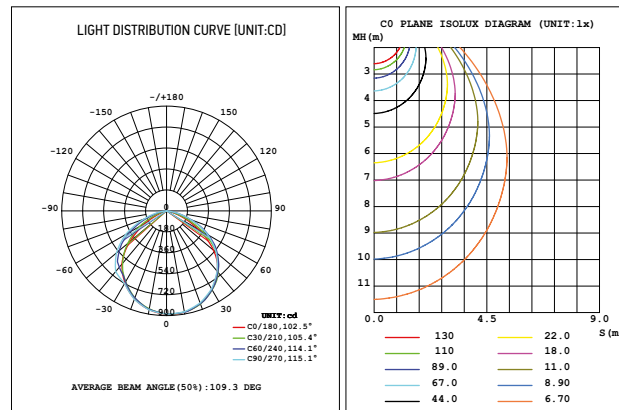


LED Gooseneck light

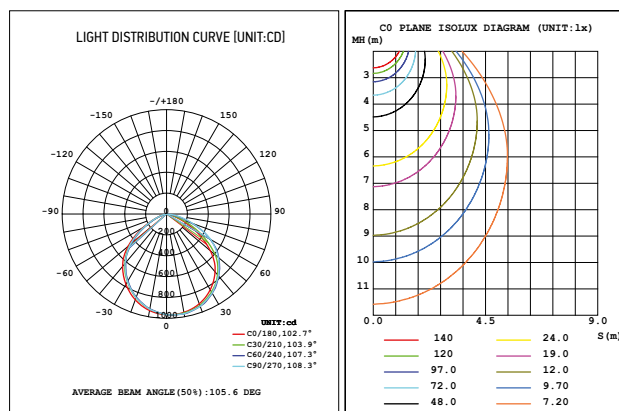
Standard Series



3,000 K



5,000 K



ORDERING INFORMATION

LED GOOSENECK LIGHT:

Model	Watts	CCT	UPC	Pcs in one Carton	Carton Size	Carton Weight
ASD-GNL2-30N30B-PC	30	3,000 K	819201023233	1	10.94" x 9.65" x 18.11"	3.86 lbs
ASD-GNL2-30N50B-PC	30	5,000 K	819201023226	1	10.94" x 9.65" x 18.11"	3.86 lbs

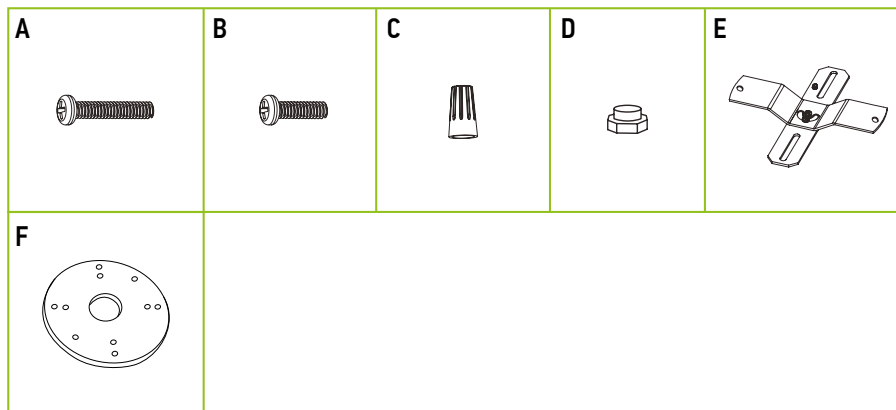


LED Gooseneck light

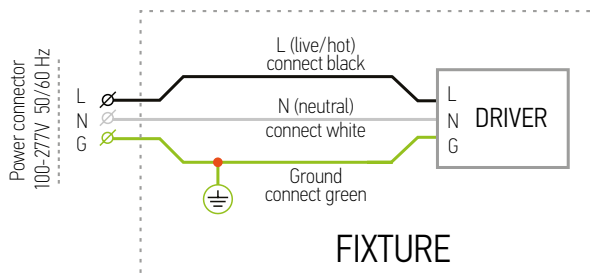
Standard Series

PACKAGE CONTENTS:

Description	Q-ty
LED Gooseneck light	1
Mounting Screws 1 1/4" (A)	2
Mounting Screws 3/8" (B)	2
Wire Nuts (C)	3
Screw Caps (D)	2
Mounting Bracket (E)	1
EVA Gasket (F)	1
Box	1
Installation Instructions	1



ELECTRICAL SCHEMATIC DIAGRAM



PHOTOCELL:

This light includes an integrated Photocell which activates the light during low illumination (At Dusk) and de-activates the light when illuminated (At Dawn).

	Lux	Photocell	Fixture
DUSK	< 30 LUX	ACTIVATES	ON
	30-120LUX	NO ACTION	ON
DAWN	> 120 LUX	ACTIVATES	OFF
	120-30 LUX	NO ACTION	OFF

⚠ WARNING

RISK OF PERSONAL INJURY – READ and follow all WARNINGS and installation instructions.

Keep or give to the owner for future reference.

Risk of cuts: Wear gloves to prevent cuts or abrasions when removing from carton, handling, installing, and maintaining this product.

Risk of electric shock: This product must be installed in accordance with the applicable installation code by a person familiar with the construction and operation of the product and the hazards involved.

Risk of Fire: Minimum 194°F supply conductors. Consult a qualified electrician to ensure correct branch circuit conductor.

ASD® assumes no responsibility for claims arising out of improper or careless installation or handling of this product.



LED Gooseneck light

Standard Series

INSTALLATION GUIDE

IMPORTANT SAFETY INFORMATION:

Please read all the instructions below before installation.

- ▶ Make sure that the supply voltage corresponds to the rated product voltage.
- ▶ The product must be installed by a qualified electrician in accordance with the National Electrical Code and corresponding local codes.
- ▶ If the product is damaged, do not use it.

INSTALLATION WITH MOUNTING BRACKET:

1. Pull the supply wire (Line, Neutral and Ground) out from the Junction Box through the large center hole in the Mounting Bracket. Attach the Mounting Bracket to the Junction Box using the Mounting Screws B.
2. Connect the fixture ground wire (GREEN) to the ground supply wire using a wire nut. Connect the BLACK fixture wire to the BLACK (Line) supply wire using the wire nuts. Connect the WHITE fixture wire to the WHITE (Neutral) supply wire using the wire nuts. Carefully tuck all wiring back into the Junction Box, making sure there are no exposed uninsulated wires. Install fixture's base on the Junction box and tighten screw caps D.

Note: For proper connection, place the wire nuts over the wires and twist clockwise until tight.

Recommended: Wrap each wire nut with electrical tape (not included).

INSTALLATION WITH EVA GASKET:

1. Pull the supply wire (Line, Neutral and Ground) out from the Junction Box through the large center hole in the Mounting Bracket. Put the gasket inside fixture's base.
2. Connect the fixture ground wire (GREEN) to the ground supply wire using a wire nut. Connect the BLACK fixture wire to the BLACK (Line) supply wire using the wire nuts. Connect the WHITE fixture wire to the WHITE (Neutral) supply wire using the wire nuts. Carefully tuck all wiring back into the Junction Box, making sure there are no exposed uninsulated wires. Install fixture's base on the Junction box and tighten mounting screw A.

Note: For proper connection, place the wire nuts over the wires and twist clockwise until tight.

Recommended: Wrap each wire nut with electrical tape (not included).

