

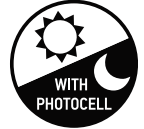


LED SECURITY FLOODLIGHT

Standard Series

ASD security light fixtures with motion sensing are a great way to keep your home safe at night. They're the perfect choice for outdoor walkways, garage areas, back door entrances and more. Security light fixtures are equipped with photocells which turn on automatically as the sun goes down and off again at sun rise. Once motion is detected the fixture illuminates immediately (sensors are adjustable). A pivoting arm on each light allows you to aim light where it's needed. This fixture provides maintenance-free bright light while saving energy and protecting your property.

Catalog number	
Notes	
Type	



FEATURES AND BENEFITS:

- ▶ Adjustable built-in motion/dusk-to-dawn sensors
- ▶ Rugged no-rust housing can stand up to all weather conditions
- ▶ Light visors are included for "neighbor-friendly" shading of light
- ▶ Comes in White or Black finish
- ▶ 150 degree motion sensor provides 70 ft. forward detection, and allows for adjustability of the sensitivity and on-time
- ▶ Tool-free lamp head adjustment
- ▶ Outdoor wet location rated, IP65
- ▶ L-70 Life > 140,000 hrs
- ▶ ETL certified
- ▶ 5 Year warranty



ORDERING MATRIX:

Family	Watts	CCT	Motion Sensor	Photocell	Finish
ASD-LSR	XX	XX	A	P	X
LED Security Floodlight	10 = 10 W	30 = 3,000 K	Motion Sensor 150 degrees	Photocell	W = White Blank = Black
	20 = 20 W	50 = 5,000 K			
	30 = 30 W				

LED SECURITY FLOODLIGHT with MS and PC:

Model	Watts	Dimming Compatible	CCT	Lumens	Dimensions (LxWxH)
ASD-LSR-1050-AP-W	10	No	5,000 K	984 lm	4 1/4" x 6 7/8" x 7 1/4"
ASD-LSR-1050-AP	10	No	5,000 K	984 lm	4 1/4" x 6 7/8" x 7 1/4"
ASD-LSR-2030-AP-W	20	No	3,000 K	1,954 lm	9 1/8" x 6 7/8" x 6 7/8"
ASD-LSR-2030-AP	20	No	3,000 K	1,954 lm	9 1/8" x 6 7/8" x 6 7/8"
ASD-LSR-2050-AP-W	20	No	5,000 K	1,954 lm	9 1/8" x 6 7/8" x 6 7/8"
ASD-LSR-2050-AP	20	No	5,000 K	1,954 lm	9 1/8" x 6 7/8" x 6 7/8"
ASD-LSR-3050-AP-W	30	No	5,000 K	2,709 lm	9 7/8" x 7 1/4" x 7 1/4"
ASD-LSR-3050-AP	30	No	5,000 K	2,709 lm	9 7/8" x 7 1/4" x 7 1/4"

LED SECURITY FLOODLIGHT with arm:

Model	Watts	Dimming Compatible	CCT	Lumens	Dimensions (LxWxH)
ASD-LSR-1050-W	10	No	5,000 K	907 lm	2 3/4" x 6 3/4" x 2 3/4"
ASD-LSR-1050	10	No	5,000 K	907 lm	2 3/4" x 6 3/4" x 2 3/4"



LED SECURITY FLOODLIGHT

Standard Series

PRODUCT SPECIFICATIONS:

Construction & Materials				
Lens	PC			
Reflector	Aluminum			
Housing	Aluminum			
Finish	White; Black			
Weight	ASD-LSR-1050-AP-W	ASD-LSR-2030-AP-W	ASD-LSR-3050-AP-W	ASD-LSR-1050-W
	ASD-LSR-1050-AP	ASD-LSR-2030-AP	ASD-LSR-3050-AP	ASD-LSR-1050
		ASD-LSR-2050-AP-W		
		ASD-LSR-2050-AP		
1.1 lbs (0.5 kg)	1.69 lbs (0.77 kg)	2.33 lbs (1.06 kg)	0.88 lbs (0.4 kg)	
Environmental System				
Work Environment	Suitable for Wet Locations, IP65			
Operating Temperature	-4°F to 131°F (-20°C to 55°C)			
L-70 Life	> 140,000 hrs			
Optical System				
Luminous Flux	ASD-LSR-1050-AP-W	ASD-LSR-2030-AP-W	ASD-LSR-3050-AP-W	ASD-LSR-1050-W
	ASD-LSR-1050-AP	ASD-LSR-2030-AP	ASD-LSR-3050-AP	ASD-LSR-1050
		ASD-LSR-2050-AP-W		
		ASD-LSR-2050-AP		
984 lm	1,954 lm	2,709 lm	907 lm	
Color Temperature	3,000 K; 5,000 K			
CRI	>80			
Electrical System				
Input Voltage	100~277V AC 50/60 Hz			
Max input current	ASD-LSR-1050-AP-W	ASD-LSR-2030-AP-W	ASD-LSR-3050-AP-W	ASD-LSR-1050-W
	ASD-LSR-1050-AP	ASD-LSR-2030-AP	ASD-LSR-3050-AP	ASD-LSR-1050
		ASD-LSR-2050-AP-W		
		ASD-LSR-2050-AP		
250 mA	250 mA*2	250 mA*3	250 mA	
Inrush current	<10 A			
Action time (Inrush current)	80 uS			
AC input range	min 108 V max 277 V			
Off State Power	0 W			
Power Consumption	ASD-LSR-1050-AP-W	ASD-LSR-2030-AP-W	ASD-LSR-3050-AP-W	ASD-LSR-1050-W
	ASD-LSR-1050-AP	ASD-LSR-2030-AP	ASD-LSR-3050-AP	ASD-LSR-1050
		ASD-LSR-2050-AP-W		
		ASD-LSR-2050-AP		
10 W	20 W	30 W	10 W	
Power Factor	≥ 0.9			
Output voltage	80 V			
Max output current	250 mA			
Warranty & Certifications				
5-year limited warranty				
ETL certified				

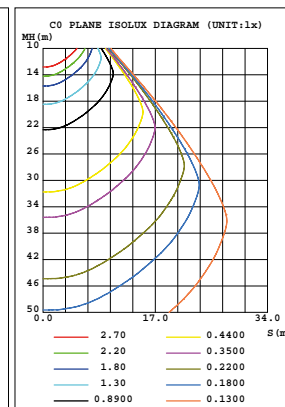
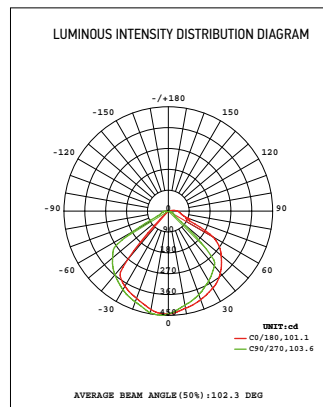
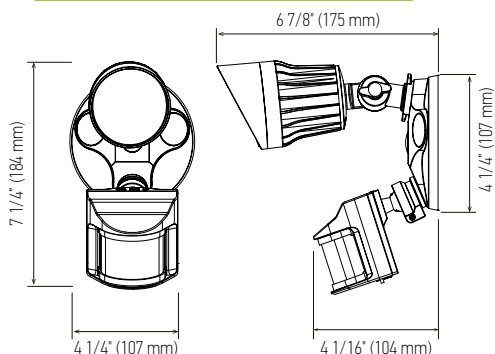
The LED Security Light is designed to install as a surface mounted luminaire.



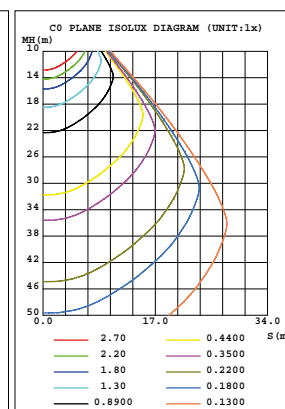
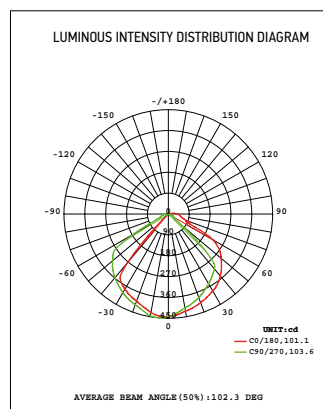
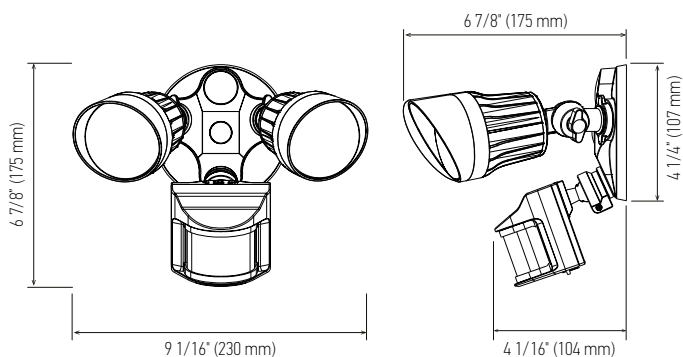
LED SECURITY FLOODLIGHT

Standard Series

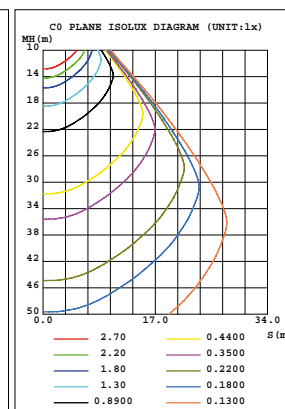
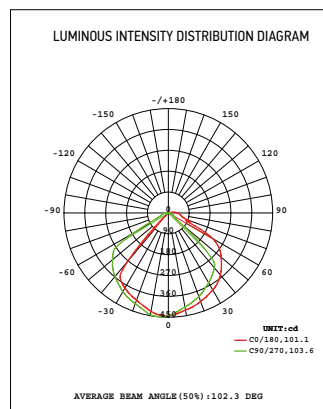
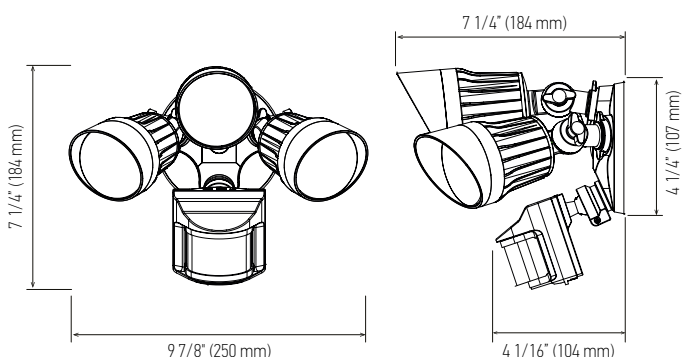
1 head



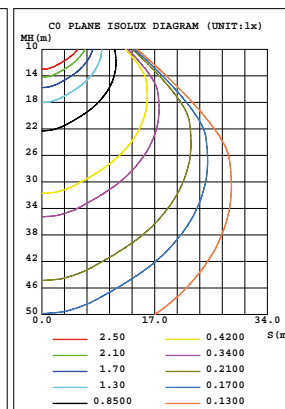
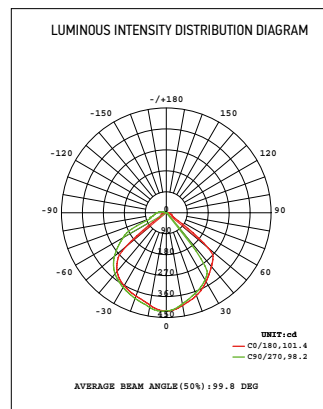
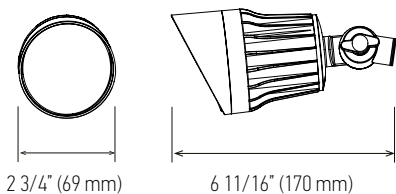
2 head



3 head



SECURITY FLOODLIGHT with arm



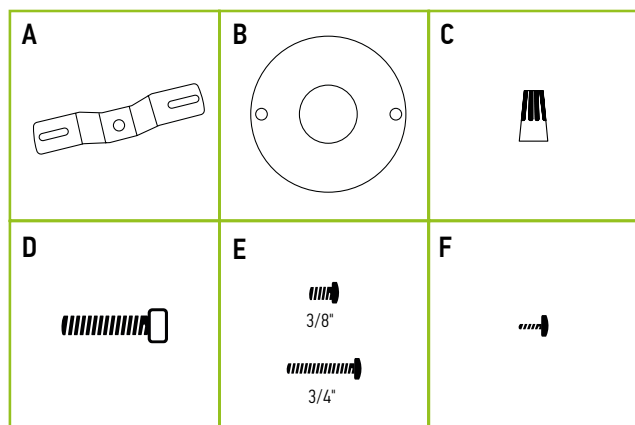


LED SECURITY FLOODLIGHT

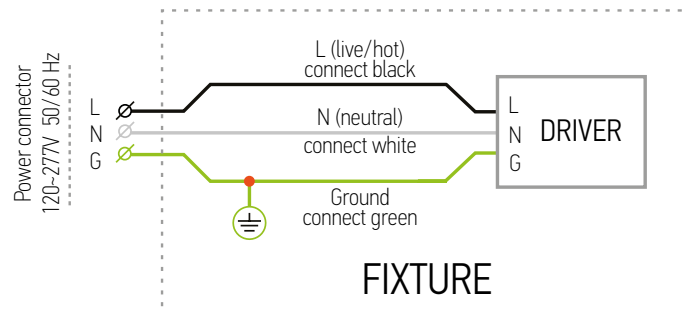
Standard Series

SECURITY LIGHT PACKAGE CONTENTS:

Description	Q-ty
LED Security Floodlight Fixture	1
Cross Bar (A)	1
Gasket (B)	1
Wire nuts (C)	3
Bracket screw(D)	1
Cross Bar Screw 3/8" (E)	2
Cross Bar Screw 3/4" (E)	2
Earth-wire screw (F)	1
Box	1
Installation Instructions	3



ELECTRICAL SCHEMATIC DIAGRAM



MOTION SENSOR SETTINGS

PLEASE READ THIS INSTRUCTION CAREFULLY AND SAVE IT, YOU MAY NEED IT AT A LATER DATE. AFTER INSTALLING YOUR MOTION ACTIVATED LIGHT, YOU ARE READY TO SET-UP THE MOTION SENSOR. MAKE SURE THE WALL SWITCH IS IN THE ON POSITION.

► SENSOR HAS THREE SELECTABLE MODES. MODE IS SELECTED BY POSITIONING SWITCH BENEATH DESIRED MODE:

1. On-Time – light always on (motion sensor and D2D sensor disabled)
2. Auto - motion and dusk-to-dawn function (once photocell detects darkness, motion sensor turns light on/off)
3. D2D - dusk-to-dawn function only (motion sensor disabled).

► Photocell sensitivity is adjustable (0-∞ Lux); rotating the first knob clockwise increases light sensitivity and vice versa.

► Time the light will stay on after motion detection is adjustable (5 Sec -5 Min), rotating the second knob clockwise will make the light stay on longer (and vice versa).

► The motion detection distance is adjustable (20-70ft), rotating the third knob clockwise will increase detection distance and vice versa.

⚠ WARNING

RISK OF PERSONAL INJURY – READ and follow all WARNINGS and installation instructions.

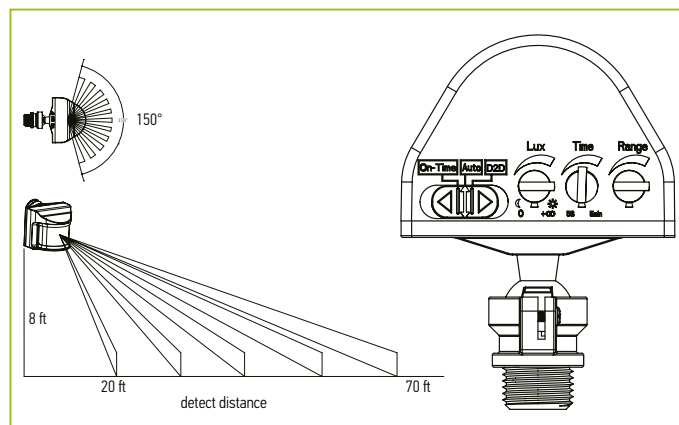
Keep or give to the owner for future reference.

Risk of cuts: Wear gloves to prevent cuts or abrasions when removing from carton, handling, installing, and maintaining this product.

Risk of electric shock: This product must be installed in accordance with the applicable installation code by a person familiar with the construction and operation of the product and the hazards involved.

Risk of Fire: Minimum 194°F supply conductors. Consult a qualified electrician to ensure correct branch circuit conductor.

ASD® assumes no responsibility for claims arising out of improper or careless Installation or handling of this product.





LED SECURITY FLOODLIGHT

Standard Series

INSTALLATION GUIDE

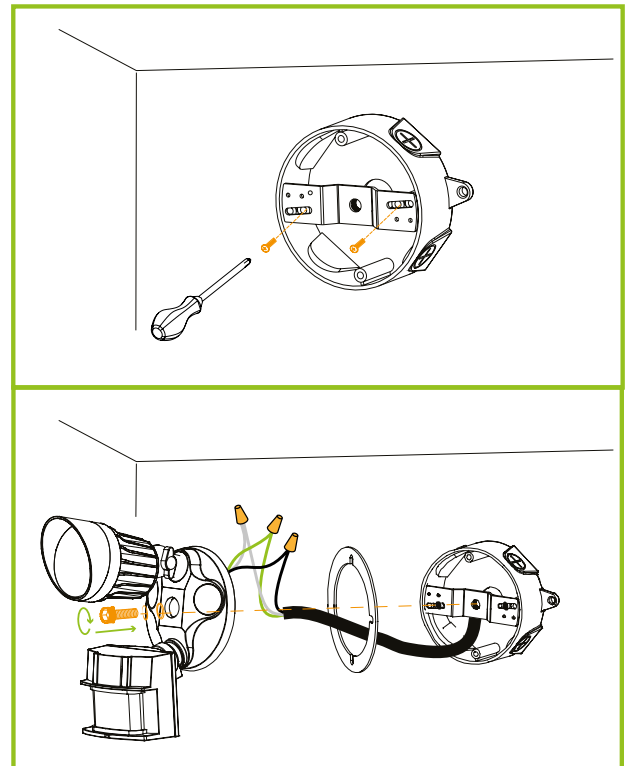
IMPORTANT SAFETY INFORMATION:

Please read all the instructions below before installation.

- ▶ Make sure that the supply voltage corresponds to the rated product voltage.
- ▶ The product must be installed by a qualified electrician in accordance with the National Electrical Code and corresponding local codes.
- ▶ If the product is damaged, do not use it.

INSTALLATION STEPS OF THE SECURITY FLOODLIGHT with MS and PC:

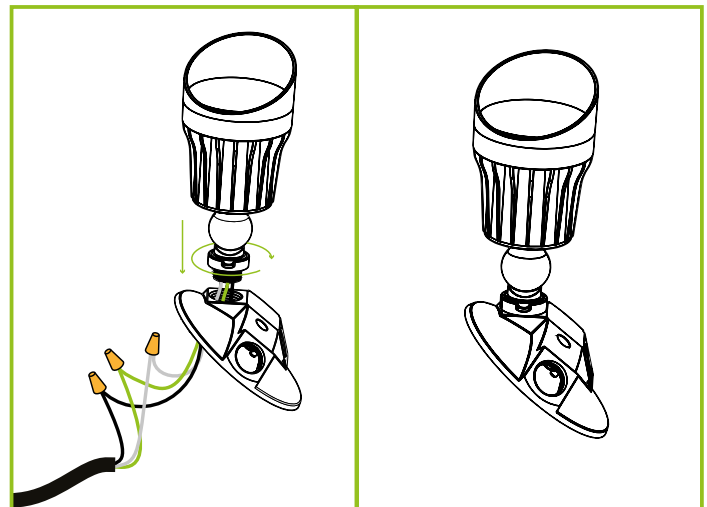
1. Install cross bar to your junction box using two 3/4" or 3/8" screws (screw size is depending on your junction box).
2. Thread fixture wires through coverplate gasket. Connect fixture black wire to house black wire, fixture white wire to house white wire, and fixture ground wire to house ground wire using the included wire nuts. Push the connected wires back into the electrical junction box.
3. Install Bracket Screw into center hole of Fixture Back Mount base. Secure the Unit to Cross Bar by tightening Center Bracket Screw.
Apply silicone caulk around the edges of the coverplate and the adjustment arm lock nuts to provide a watertight seal from rain and moisture.
4. Each lamphead can be positioned in multiple directions via the adjustment knob.



INSTALLATION STEPS OF THE SECURITY FLOODLIGHT with arm:

TURN OFF POWER FROM THE MAIN CIRCUIT BEFORE

1. Remove fixture components and parts pack. Check that all parts are included.
Turn OFF Power at circuit breaker box.
CAUTION: Do not rely on wall switch alone to turn off power.
2. Fit the security floodlight into the junction box by screwing it clockwise until tight
3. Turn on electricity at fuse or circuit breaker box to verify success of installation.





LED SECURITY FLOODLIGHT

Standard Series

ORDERING INFORMATION

LED SECURITY FLOODLIGHT with MS and PC ORDERING INFORMATION:

Model	Watts	UPC	GTIN 14	Pcs in one Carton	Carton Size	Carton Weight
ASD-LSR-1050-AP-W	10	819201020904	10819201020901	12	16.54 x 15.75" x 15.35"	24.25 lbs
ASD-LSR-1050-AP	10	819201020942	10819201020949	12	16.54 x 15.75" x 15.35"	24.25 lbs
ASD-LSR-2030-AP-W	20	819201022847	10819201022844	8	15.55" x 15.55" x 12.80"	19.40 lbs
ASD-LSR-2030-AP	20	819201022830	10819201022837	8	15.55" x 15.55" x 12.80"	19.40 lbs
ASD-LSR-2050-AP-W	20	819201020911	10819201020918	8	15.55" x 15.55" x 12.80"	19.40 lbs
ASD-LSR-2050-AP	20	819201020959	10819201020956	8	15.55" x 15.55" x 12.80"	19.40 lbs
ASD-LSR-3050-AP-W	30	819201020928	10819201020925	8	21.65" x 16.14" x 13.78"	25.35 lbs
ASD-LSR-3050-AP	30	819201020966	10819201020963	8	21.65" x 16.14" x 13.78"	25.35 lbs

LED SECURITY FLOODLIGHT with arm ORDERING INFORMATION:

Model	Watts	UPC	GTIN 14	Pcs in one Carton	Carton Size	Carton Weight
ASD-LSR-1050-W	10	819201020935	10819201020932	40	15.75" x 13" x 14.2"	28.7 lbs
ASD-LSR-1050	10	819201020973	10819201020970	40	15.75" x 13" x 14.2"	28.7 lbs