



LED Minipanel Round

Our ASD LED Minipanel Round is a cutting-edge choice for indoor lighting for both residential and commercial applications. This round lit mini panel features low energy consumption, a 5 year warranty and is rated to last more than 36,000 hours. This low profile design allows you to have a variety of simple mounting applications such as surface mount or in place of a recessed can trim kit.

Available with PIR motion sensor and CCT Adjustable, our Round LED Mini Panel is Energy Star and cETLus listed and will illuminate any space with ease.

Catalog number	
Notes	
Type	

FEATURES AND BENEFITS:

- ▶ PIR motion sensor option available
- ▶ CCT Adjustable option available
- ▶ Low energy consumption
- ▶ Dimmable with triac controls
- ▶ Easy to install
- ▶ Damp Location Rated
- ▶ Beam angle: 120°
- ▶ Finish: white
- ▶ Maintenance free
- ▶ Surface mounted
- ▶ L-70 Life > 36,000 hrs
- ▶ cETLus certified
- ▶ Energy star certified
- ▶ 5-year limited warranty



PRODUCT LEGEND:

Family	Size	Dimmable	Watts	CCT	Option	Finish
ASD-MNPR	X	X	XX	XX	XX	X
LED Minipanel Round	5 = 5 inch	D = Dimmable	6 = 6 W	30 = 3,000 K	Blank = No options	W = White
	7 = 7 inch	N = Non-dimmable	12 = 12 W	40 = 4,000 K	MS = Motion Sensor	
	9 = 9 inch		18 = 18 W	CC = 3,000/4,000/5,000 K		

LED MINIPANEL ROUND:

Model	Size	Watts	Dimmable	CCT	Lumens	Dimensions (LxH)
ASD-MNPR-5D630-W	5 inch	6 W	Triac	3,000 K	363 lm	8 3/8" x 1/2"
ASD-MNPR-5D640-W	5 inch	6 W	Triac	4,000 K	374 lm	8 3/8" x 1/2"
ASD-MNPR-7D1230-W	7 inch	12 W	Triac	3,000 K	942 lm	7" x 1/2"
ASD-MNPR-7D1240-W	7 inch	12 W	Triac	4,000 K	1,058 lm	7" x 1/2"
ASD-MNPR-9D1830-W	9 inch	18 W	Triac	3,000 K	1,577 lm	8 7/8" x 1/2"
ASD-MNPR-9D1840-W	9 inch	18 W	Triac	4,000 K	1,636 lm	8 7/8" x 1/2"
ASD-MNPR-9N18CC-MS-W	9 inch	18 W	No	3,000/4,000/5,000 K	1,280 lm	8 7/8" x 3/4"

For most up-to-date spec sheets please refer to asd-lighting.com

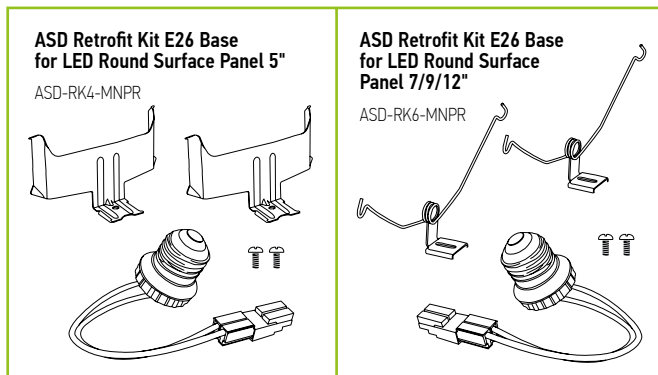


LED Minipanel Round

PRODUCT SPECIFICATIONS:

Construction & Materials							
Housing	Plastic						
Lens	Acrylic						
Finish Color	White						
Weight	ASD-MNPR-5D630-W	0.4 lbs (0.2 kg)	ASD-MNPR-7D1230-W	0.9 lbs (0.4 kg)	ASD-MNPR-9D1830-W	1.2 lbs (0.6 kg)	
	ASD-MNPR-5D640-W		ASD-MNPR-7D1240-W		ASD-MNPR-9D1840-W		
					ASD-MNPR-9N18CC-MS-W		
Environmental System							
Work Environment	Suitable for Damp Locations, IP20						
Operating Temperature	4°F to 104°F (-20°C to 40°C)						
L-70 Life	> 36,000 hrs						
Optical System							
Luminous Flux	ASD-MNPR-5D630-W	363 lm	ASD-MNPR-7D1230-W	942 lm	ASD-MNPR-9D1830-W	1,577 lm	
	ASD-MNPR-5D640-W	374 lm	ASD-MNPR-7D1240-W	1,058 lm	ASD-MNPR-9D1840-W	1,636 lm	
						ASD-MNPR-9N18CC-MS-W	1,280 lm
Color Temperature	ASD-MNPR-5D630-W	3,000 K	ASD-MNPR-7D1230-W	3,000 K	ASD-MNPR-9D1830-W	3,000 K	
	ASD-MNPR-5D640-W	4,000 K	ASD-MNPR-7D1240-W	4,000 K	ASD-MNPR-9D1840-W	4,000 K	
CRI	>80					ASD-MNPR-9N18CC-MS-W	3,000/4,000/5,000 K
Electrical System							
Input Voltage	120 VAC 60 Hz						
Max input current	ASD-MNPR-5D630-W	0.05 A	ASD-MNPR-7D1230-W	0.1 A	ASD-MNPR-9D1830-W	0.16 A	
	ASD-MNPR-5D640-W		ASD-MNPR-7D1240-W		ASD-MNPR-9D1840-W		
					ASD-MNPR-9N18CC-MS-W		0.3 A
Inrush current (Action time)	10 A (1 S)						
AC input range	min 100 V max 130 V						
Off State Power	0 W						
Power Consumption	ASD-MNPR-5D630-W	6 W	ASD-MNPR-7D1230-W	12 W	ASD-MNPR-9D1830-W	18 W	
	ASD-MNPR-5D640-W		ASD-MNPR-7D1240-W		ASD-MNPR-9D1840-W		
					ASD-MNPR-9N18CC-MS-W		
Power Factor	≥ 0.9						
Output voltage	120 V						
LED Driver Class	Class 2						
Dimming compatible controls							
Brand	Lutron				Leviton		
Models	MSCL-OP153M-WH	SCL-153P-WH	MACL-153M-WH	PD-6WCL-WH	DSL06-1LZ	IPL06-10Z	
	DVW-603PGH-WH	CTCL-153P-WH	DVCL-153P-WH			6674-P0W 6672-1LW	
Regular and Voluntary Certifications							
5-year limited warranty							
cETLus certified							
Energy Star listed							

ACCESSORIES (sold separately):



PACKAGE CONTENTS:

Description	Q-ty
LED Minipanel Round	1
Bracket (A)	1
Fix Plug (B)	2
Screw 1/4" (C)	2
Screw 15/16" (D)	2
Rubber Plug (E)	2
Wire Nut (F)	2
Box	1
Installation Instructions	3

A		B	
C		D	
E		F	

For most up-to-date spec sheets please refer to asd-lighting.com



LED Minipanel Round

INSTALLATION GUIDE

IMPORTANT SAFETY INFORMATION:

Please read all the instructions below before installation.

- ▶ Make sure that the supply voltage corresponds to the rated product voltage.
- ▶ The product must be installed by a qualified electrician in accordance with the National Electrical Code and corresponding local codes.
- ▶ If the product is damaged, do not use it.

⚠ WARNING

RISK OF PERSONAL INJURY – READ and follow all WARNINGS and installation instructions.

Keep or give to the owner for future reference.

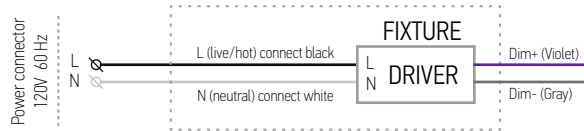
Risk of cuts: Wear gloves to prevent cuts or abrasions when removing from carton, handling, installing, and maintaining this product.

Risk of electric shock: This product must be installed in accordance with the applicable installation code by a person familiar with the construction and operation of the product and the hazards involved.

Risk of Fire: Minimum 194°F supply conductors. Consult a qualified electrician to ensure correct branch circuit conductor.

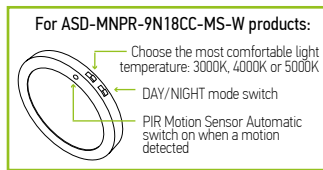
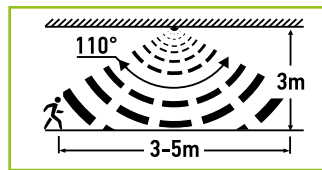
ASD® assumes no responsibility for claims arising out of improper or careless installation or handling of this product.

ELECTRICAL SCHEMATIC DIAGRAM:

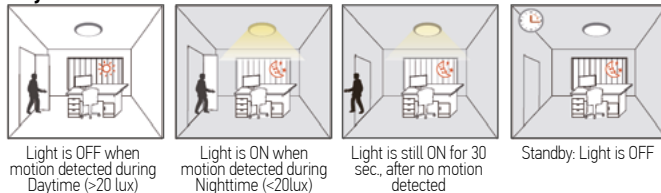


FUNCTIONS MOTION SENSOR:

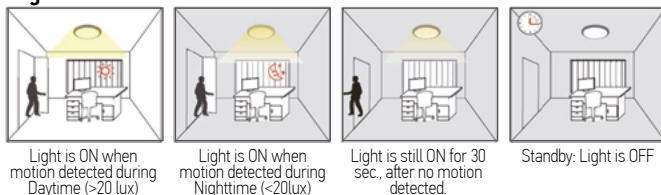
- ▶ Two modes of motion sensor day mode (20 lux)/ night mode
 - ▶ The light is ON when movement is detected
 - ▶ After last detection the lights remains on for 30S
 - ▶ After stand-by period, light OFF automatically
- ⚠ RF interference may affect the operation of this sensor



Daytime mode

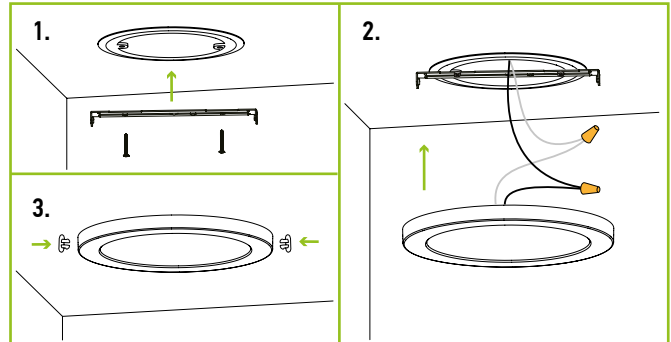


Nighttime mode



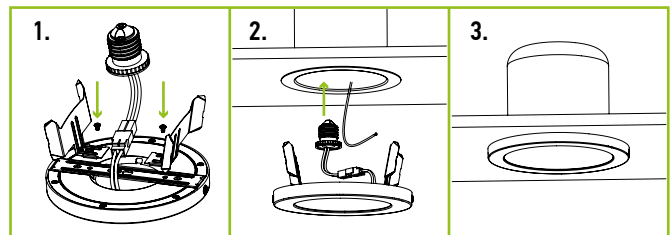
INSTALLATION STEPS:

1. Attach bracket to the existing terminal box in the ceiling
2. Connect wiring (black to black and white to white)
3. Attach the lamp body to the bracket and push in the two side plugs to secure the lamp body to the bracket.



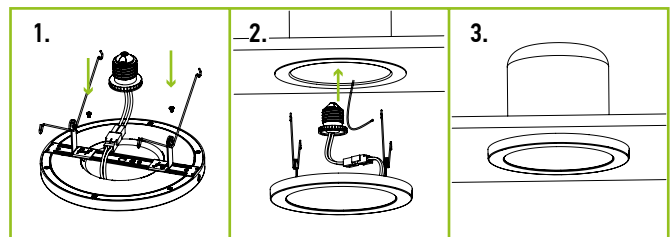
RETROFIT KIT E26 BASE FOR 5" FIXTURE (sold separately)

1. Fix the bracket on the fixture body using fix plugs. Attach spring-loaded clips to the bracket using short screws. Join a TP24 connector to fixture wires and connect it to E26 socket adapter.
2. Screw E26 socket adapter into socket in the housing.
3. Press the fixture into the housing. Installation is complete. Turn on the power at the circuit breaker.



RETROFIT KIT E26 BASE FOR 7/9/12" FIXTURES (sold separately)

1. Fix the bracket on the fixture body using fix plugs. Attach spring-loaded clips to the bracket using short screws. Join a TP24 connector to fixture wires and connect it to E26 socket adapter.
2. Screw E26 socket adapter into socket in the housing.
3. Press the fixture into the housing. Installation is complete. Turn on the power at the circuit breaker.



For most up-to-date spec sheets please refer to asd-lighting.com



LED Minipanel Round

ORDERING INFORMATION

LED MINIPANEL ROUND:

Model	Size	Watts	CCT	UPC
ASD-MNPR-5D630-W	5 inch	6 W	3,000 K	819201020386
ASD-MNPR-5D640-W	5 inch	6 W	4,000 K	819201020393
ASD-MNPR-7D1230-W	7 inch	12 W	3,000 K	819201020423
ASD-MNPR-7D1240-W	7 inch	12 W	4,000 K	819201020430
ASD-MNPR-9D1830-W	9 inch	18 W	3,000 K	819201020461
ASD-MNPR-9D1840-W	9 inch	18 W	4,000 K	819201020478
ASD-MNPR-9N18CC-MS-W	9 inch	18 W	3,000/4,000/5,000 K	810050730341

Model	Pcs in middle box	Middle box Size	Middle box Weight	GTIN 14 for Middle box	Pcs in one Carton	Carton Size	Carton Weight	GTIN 14 for Carton
ASD-MNPR-5D630-W	-	-	-	-	60	13"x11.8"x11.8"	32 lb	10819201020383
ASD-MNPR-5D640-W	-	-	-	-	60	13"x11.8"x11.8"	32 lb	10819201020390
ASD-MNPR-7D1230-W	-	-	-	-	40	15.2"x8.9"x15.4"	37.5 lb	10819201020420
ASD-MNPR-7D1240-W	-	-	-	-	40	15.2"x8.9"x15.4"	37.5 lb	10819201020437
ASD-MNPR-9D1830-W	-	-	-	-	20	18.7"x8.9"x9.6"	28.7 lb	10819201020468
ASD-MNPR-9D1840-W	-	-	-	-	20	18.7"x8.9"x9.6"	28.7 lb	10819201020475
ASD-MNPR-9N18CC-MS-W	4	9.4"x6.9"x10"	5.8 lb	10810050730348	12	10.8"x10.4"x24.8"	19.8 lb	20810050730345

ACCESSORIES:

Model	Name	Weight	Dimensions	UPC
ASD-RK4-MNPR	ASD Retrofit Kit E26 Base for LED Round Surface Panel 5"	0.1 lb (0.044 kg)	3 1/8" x 1 1/4" x 1 7/8"	810050730563
ASD-RK6-MNPR	ASD Retrofit Kit E26 Base for LED Round Surface Panel 7/9/12"	0.1 lb (0.055 kg)	6 3/4" x 15/16" x 3 1/8"	810050730570

Model	Pcs in Middle box	Middle box Size	Middle box Weight	GTIN 14 for Middle box	Pcs in one Carton	Carton Size	Carton Weight	GTIN 14 for Carton
ASD-RK4-MNPR	12	6.9" x 5.6" x 6.1"	1.8 lb	10810050730560	48	12.1" x 7.8" x 13.1"	7.7 lb	20810050730567
ASD-RK6-MNPR	12	6.9" x 5.6" x 6.1"	2 lb	10810050730577	48	12.1" x 7.8" x 13.1"	8.6 lb	20810050730574

For most up-to-date spec sheets please refer to asd-lighting.com