



# LED STRINGER WORK LIGHT

## Standard Series

The ASD LED Temporary Stringer Light provides a full illuminating coverage of your work area.

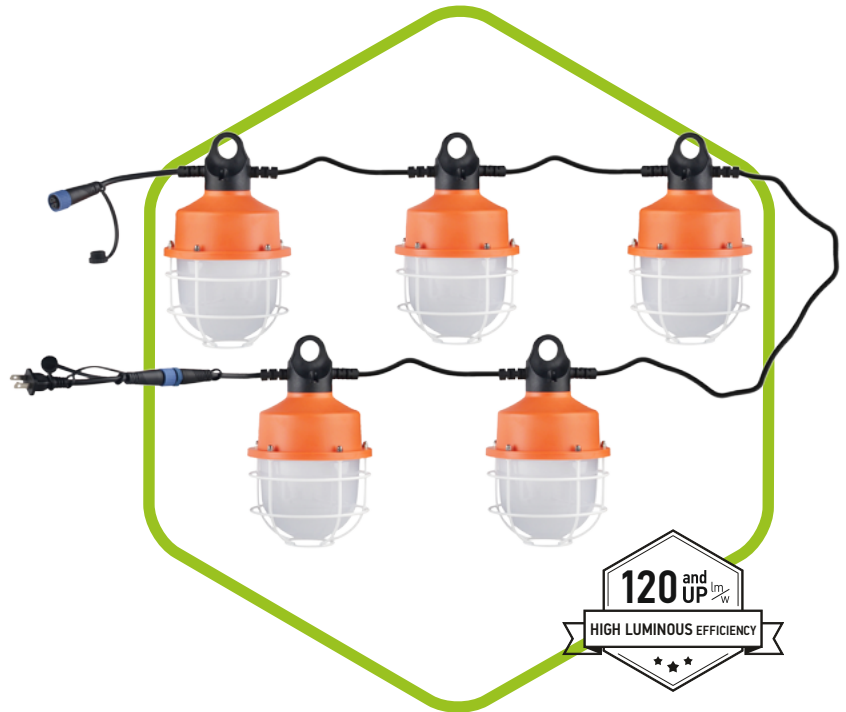
The LEDs are protected by a durable cage that will withstand any potential drop. This fixture can be used outdoors in most weather conditions.

It is a perfect lighting choice for temporary workplaces such as garage, factory, warehouse, construction site, mine, and any commercial and residential application.

Catalog number	
Notes	
Type	

### FEATURES AND BENEFITS:

- ▶ No maintenance
- ▶ 5 Lamps per String
- ▶ Lamps have protective guards
- ▶ 360 degree lighting
- ▶ Operating temperature of -4°F to 113°F
- ▶ Unwinded String Length 66ft
- ▶ Wet location IP65
- ▶ IP65 Waterproof Rating Sealed Connector
- ▶ cETLus certified
- ▶ 5 Year warranty



### ORDERING MATRIX:

Family	Modification	Pcs	Dimmable	Watts	CCT
ASD-LWL	3	5	X	XX	50
LED Work light		Number of lights	N = Non-dimmable	20 = 20 W	5,000 K

### LED WORK LIGHT:

Model	Watts	Dimming Compatible	CCT	Lumens	Dimensions (LxWxH)
ASD-LWL3-5N2050	5x20 W	No	5,000 K	7,200 lm	65 15/16" x 7 20/32" x 6 17/32"



# LED STRINGER WORK LIGHT

## Standard Series

### PRODUCT SPECIFICATIONS:

Construction & Materials	
Housing	Die-Casting Aluminum + PC
Finish	Silver + Orange
Cover	Clear
String	One string 5 lamps
Weight	9.6 lbs (4.4 kg)
Environmental System	
Work Environment	Suitable for Wet Locations, IP65
Operating Temperature	-4°F to 113°F (-20°C to 45°C)
L-70 Life	> 50,000 hrs
Optical System	
Luminous Flux	12,000 lm
Color Temperature	5,000 K
CRI	>80
Electrical System	
Input Voltage	120V AC 50/60 Hz
Max input current	1.1 A
Inrush current	60 A
Action time (Inrush current)	650uS
AC input range	min 120 V max 120 V
Off State Power	0 W
Power Consumption	100 W
Power Factor	≥ 0.99
Output voltage	50-70 V
Max output current	300 mA
LED Driver Class	Class II
Warranty & Certifications	
5-year limited warranty	
cETLus certified	E5001854

The LED Work light is designed as a portable luminaire.



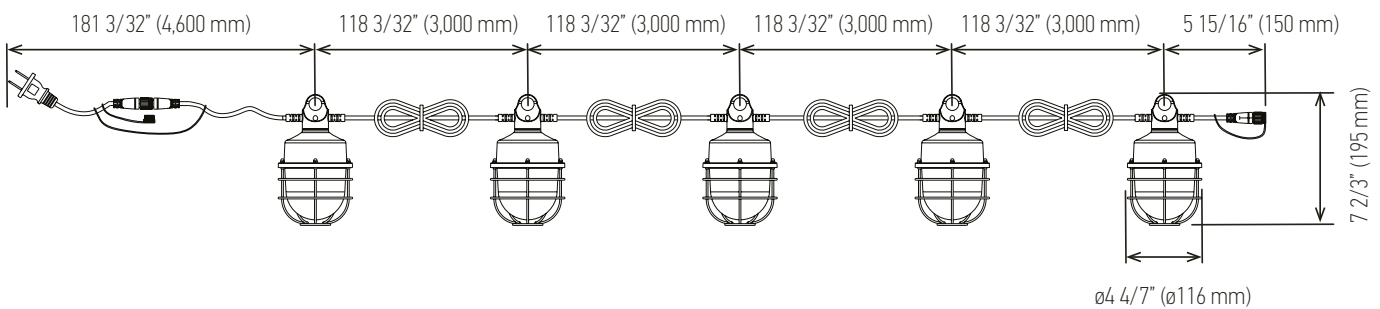
# LED STRINGER WORK LIGHT

Standard Series

## PACKAGE CONTENTS:

Description	Q-ty
LED Work Light Fixture	1
Box	1
Installation Instructions	3

100 W



Model	Linkable Quantities	
ASD-LWL3-5N2050	Max 12pcs (strings)	Max 1,200W

## ⚠ WARNING

**RISK OF PERSONAL INJURY – READ and follow all WARNINGS and installation instructions.**

Keep or give to the owner for future reference.

**Risk of cuts:** Wear gloves to prevent cuts or abrasions when removing from carton, handling, installing, and maintaining this product.

**Risk of electric shock:** This product must be installed in accordance with the applicable installation code by a person familiar with the construction and operation of the product and the hazards involved.

**Risk of Fire:** Minimum 194°F supply conductors. Consult a qualified electrician to ensure correct branch circuit conductor.

ASD® assumes no responsibility for claims arising out of improper or careless installation or handling of this product.

## INSTALLATION GUIDE

### IMPORTANT SAFETY INFORMATION:

**Please read all the instructions below before installation.**

- ▶ Make sure that the supply voltage corresponds to the rated product voltage.
- ▶ The product must be installed by a qualified electrician in accordance with the National Electrical Code and corresponding local codes.
- ▶ If the product is damaged, do not use it.



# LED STRINGER WORK LIGHT

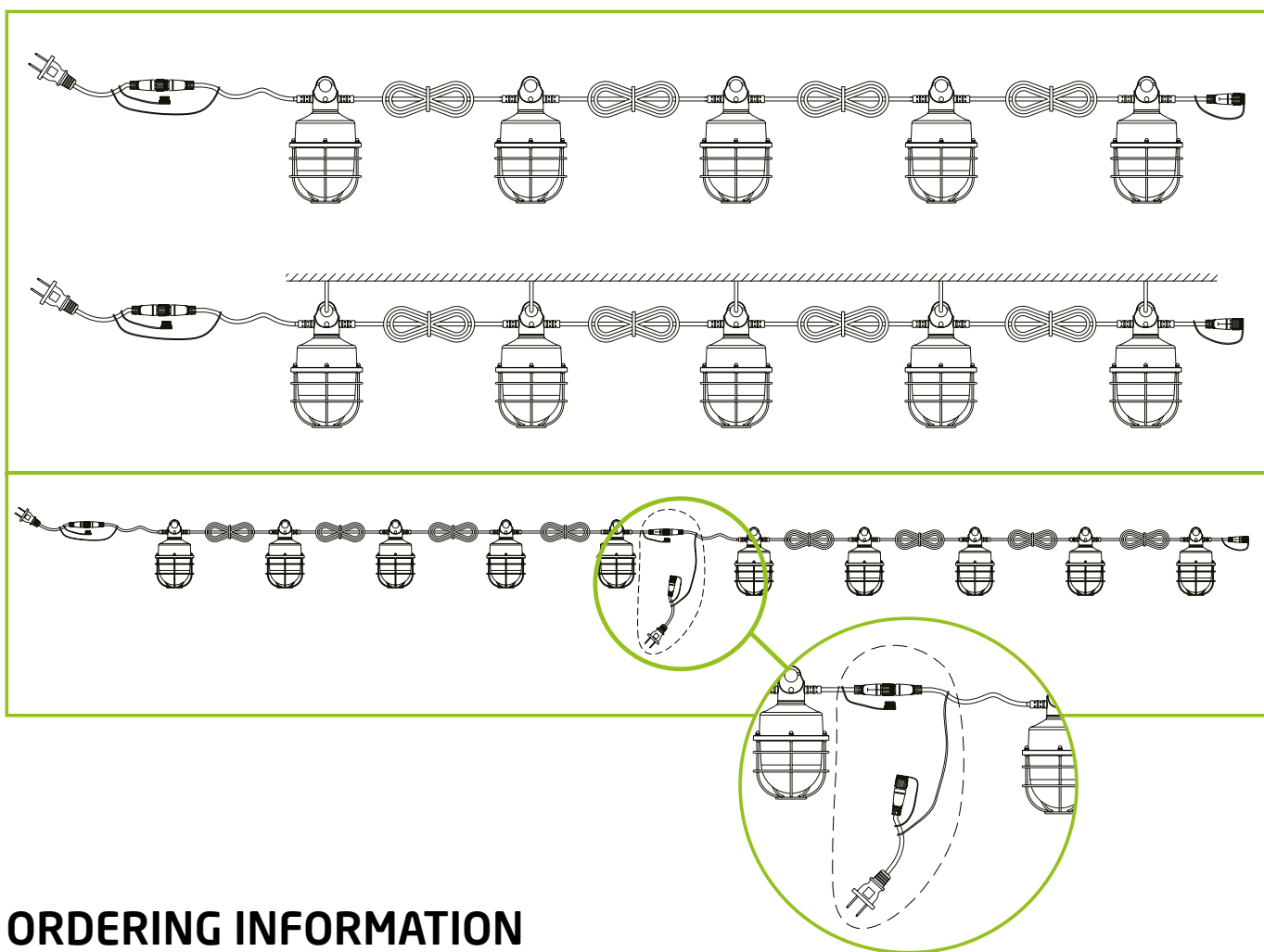
Standard Series

## INSTALLATION STEPS

1. Hook the ring and fix the hook to the wall or object.
2. Connect the plug and socket.

### To connect few fixtures together:

1. Open the protective cover on the waterproof connector, and loosen the tightening nut of the fixture.
2. Connect the fixtures together.



## ORDERING INFORMATION

### LED STRINGER WORK LIGHT ORDERING INFORMATION:

Model	Watts	CCT	UPC	GTIN-14	Pcs in one Carton	Carton Size	Carton Weight
ASD-LWL3-5N2050	5x20	5,000 K	819201025169	10819201025166	4	20.5" x 20.1" x 15.2"	41.4 lbs