



# LED Post Top Corn Bulb

## Standard Series

ASD LED Post Top Corn Light is a direct replacement for Metal Halide in Outdoor Pole/Arm-Mounted Decorative Luminaires. Fits many different fixtures to replace traditional lamps.

Impressive Lumen output with energy saving. Widely used in warehouse, garage, backyards, canopy fixtures, outdoor wall lights, pendant lights, post lights, open semi-closed enclosed fixtures, shoebox and more.

We offer a 5 year warranty with 141,400 hour L-70 Life.

### FEATURES AND BENEFITS:

- ▶ No maintenance
- ▶ Reversible Mogul Base
- ▶ LED retrofit bulb. Easy Energy Savings
- ▶ Direct replacement for CFL and Metal Halide
- ▶ 360 degree lighting, high CRI
- ▶ Operating temperature of -4°F to 113°F
- ▶ IP64 rating, wet location
- ▶ L-70 Life > 141,400 hrs
- ▶ cULus certified
- ▶ 5 Year warranty

### PRODUCT LEGEND:

Family	Watts	Dimmable	CCT	Base
ASD-LED-PCR	XX	X	50	XXXX
LED Post Top	30 = 30 W	N = Non-dimmable	5,000 K	E26
Corn light	50 = 50 W			EX39
	80 = 80 W			

Catalog number	
Notes	
Type	



### LED POST TOP CORN BULB:

Model	Watts	Dimmable	CCT	Lumens	Dimensions (LxWxH)
ASD-LED-PCR-30N50-E26	30	No	5,000 K	3,688 lm	5 1/8" x 5 1/8" x 7"
ASD-LED-PCR-50N50-E26	50	No	5,000 K	5,633 lm	5 1/8" x 5 1/8" x 7"
ASD-LED-PCR-50N50-EX39	50	No	5,000 K	5,633 lm	5 1/8" x 5 1/8" x 7"
ASD-LED-PCR-80N50-EX39	80	No	5,000 K	9,325 lm	5 1/8" x 5 1/8" x 8"

### PRODUCT SPECIFICATIONS:

Construction & Materials				Optical System		
Housing	Polycarbonate + plastic			Luminous Flux	ASD-LED-PCR-30N50-E26	3,688 lm
Finish	White				ASD-LED-PCR-50N50-E26	5,633 lm
Cover	Clear				ASD-LED-PCR-50N50-EX39	5,633 lm
Weight	ASD-LED-PCR-30N50-E26	1.30 lbs (0.6 kg)	ASD-LED-PCR-50N50-EX39		ASD-LED-PCR-80N50-EX39	9,325 lm
	ASD-LED-PCR-50N50-E26	1.46 lbs (0.7 kg)	ASD-LED-PCR-80N50-EX39	Color Temperature	5,000 K	
	ASD-LED-PCR-50N50-EX39	1.46 lbs (0.7 kg)		CRI	>80	
	ASD-LED-PCR-80N50-EX39	1.72 lbs (0.8 kg)		Environmental System		
Electrical System				Work Environment	Suitable for Damp Locations, IP64	
Input Voltage	100-277V AC 50/60 Hz			Operating Temperature	-4°F to 113°F (-20°C to 45°C)	
Max input current	ASD-LED-PCR-30N50-E26	0.33 A	ASD-LED-PCR-50N50-EX39	L-70 Life	> 141,400 hrs	
	ASD-LED-PCR-50N50-E26	0.55 A	ASD-LED-PCR-80N50-EX39			
Inrush current	ASD-LED-PCR-30N50-E26	30 A	ASD-LED-PCR-50N50-EX39	<b>Warranty &amp; Certifications</b>		
	ASD-LED-PCR-50N50-E26	40 A	ASD-LED-PCR-80N50-EX39	5-year limited warranty		
AC input range	min 100 V max 277 V			DesignLights Consortium (DLC) listed (Classification: Standard) E488932		
Action time	ASD-LED-PCR-30N50-E26	0.35 S	ASD-LED-PCR-50N50-EX39	Main: Mogul (E39) Screw-Base Replacements for HID Lamps		
(Inrush current)	ASD-LED-PCR-50N50-E26	0.45 S	ASD-LED-PCR-80N50-EX39	General Application: Low Output		
Power Factor	≥ 0.99			Primary Use: Replacement Lamps for Outdoor Pole/Arm-mounted Decorative Luminaires (Type B)		
Off State Power	0 W			The LED Post Top Corn Bulb designed as a Lamp Replacement of Outdoor Pole/Arm-mounted Decorative Luminaires.		
Power Consumption	ASD-LED-PCR-30N50-E26	30 W	ASD-LED-PCR-50N50-EX39			
	ASD-LED-PCR-50N50-E26	50 W	ASD-LED-PCR-80N50-EX39			
Output voltage	ASD-LED-PCR-30N50-E26	40-50 V	ASD-LED-PCR-50N50-EX39			
	ASD-LED-PCR-50N50-E26	40-50 V	ASD-LED-PCR-80N50-EX39			
Max output current	ASD-LED-PCR-30N50-E26	570 mA	ASD-LED-PCR-50N50-EX39			
	ASD-LED-PCR-50N50-E26	940 mA	ASD-LED-PCR-80N50-EX39			
LED Driver Class	Class 2					

For most up-to-date spec sheets please refer to [asd-lighting.com](http://asd-lighting.com)



# LED Post Top Corn Bulb

Standard Series

## PACKAGE CONTENTS:

Description	Q-ty
LED Post Top Corn Light Fixture	1
Box	1
Installation Instructions	3

## ⚠ WARNING

**RISK OF PERSONAL INJURY – READ and follow all WARNINGS and installation instructions.** Keep or give to the owner for future reference.

**Risk of cuts:** Wear gloves to prevent cuts or abrasions when removing from carton, handling, installing, and maintaining this product.

**Risk of electric shock:** This product must be installed in accordance with the applicable installation code by a person familiar with the construction and operation of the product and the hazards involved.

**Risk of Fire:** Minimum 194°F supply conductors. Consult a qualified electrician to ensure correct branch circuit conductor.

ASD® assumes no responsibility for claims arising out of improper or careless installation or handling of this product.

## INSTALLATION GUIDE

### IMPORTANT SAFETY INFORMATION:

**Please read all the instructions below before installation.**

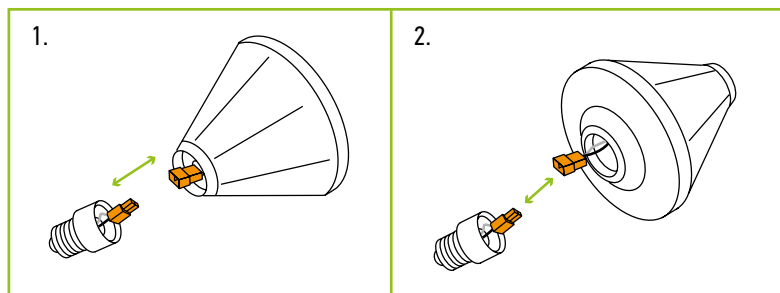
- ▶ Make sure that the supply voltage corresponds to the rated product voltage.
- ▶ The product must be installed by a qualified electrician in accordance with the National Electrical Code and corresponding local codes.
- ▶ If the product is damaged, do not use it.

### INSTALLATION STEPS

1. Turn off the power switch.
2. Take out the LED Top Post Corn Light and screw it into the base.
3. Turn on the power switch.

### TO CHANGE THE FIXTURE POSITION

1. Remove the socket and unplug the TP24 connector.
2. Open the opposite side cover. Plug the TP24 connector as needed.

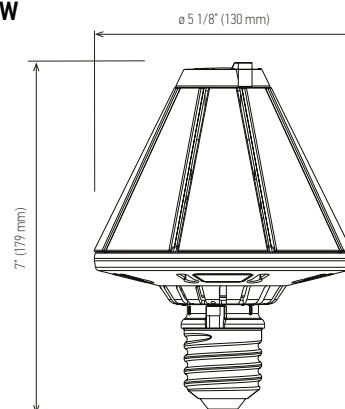


## ORDERING INFORMATION

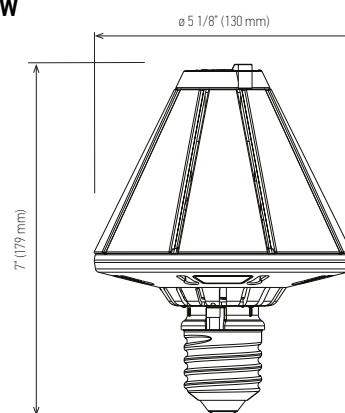
### LED POST TOP CORN BULB:

Model	Watts	CCT	UPC	GTIN-14	Pcs in one Carton	Carton Size	Carton Weight
ASD-LED-PCR-30N50-E26	30	5,000 K	819201025015	10819201025012	6	22.05" x 10.04" x 15.16"	12.35 lbs
ASD-LED-PCR-50N50-E26	50	5,000 K	819201026319	10819201026316	6	22.05" x 10.04" x 15.16"	13.45 lbs
ASD-LED-PCR-50N50-EX39	50	5,000 K	819201025022	10819201025029	6	22.05" x 10.04" x 15.16"	13.45 lbs
ASD-LED-PCR-80N50-EX39	80	5,000 K	819201025039	10819201025036	6	22.05" x 11.02" x 15.16"	15.43 lbs

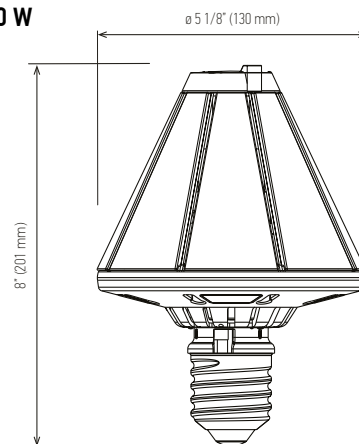
30 W



50 W



80 W



For most up-to-date spec sheets please refer to [asd-lighting.com](http://asd-lighting.com)