



LED SECURITY LIGHT

Standard Series

► **DESIGN & OPTIONS** - LED SECURITY LIGHT WITH MOTION SENSOR is a great way to keep your home safe at night. 360° rotatable heads allow you to direct light where it is needed. When the motion sensor detects movement the fixture illuminates immediately, and the dusk to dawn function will turn the fixture on/off automatically depending on the time of day. It comes in 120-277V, a 3000K or 5000K color temperature, and a WHITE or BLACK finish.

► **INSTALLATION** - This fixture comes with all necessary accessories for a quick and easy installation to your junction box. Refer to installation instructions for detailed steps.

► **APPLICATION** - The waterproof die-cast aluminum housing means this fixture is protected against severe weather in temperatures between -4°+131°F (-20°+50°C). This makes them perfect for both residential and commercial uses such as porches, backyards, front doors, garages, driveways, walkways, steps, workshops, industrial workstations, storage rooms, equipment rooms, and many other areas.

► **ENERGY SAVINGS & EFFICIENCY** - This fixture provides a lumen output equal to MH/HPS and can cut your electric bill by up to 80% instantly. With a lifespan of 50,000 hours, these fixtures are made to last decades under normal operation! This fixture will save you a significant amount of money in its lifetime.

► **CERTIFICATION & WARRANTY** - Buy with confidence: ASD provides a 5-year warranty along with ETL and DLC certifications to guarantee top quality products and safety!

Top US certifications allow participation in rebates; please check the rebate programs available in your state.

Catalog number	
Notes	
Type	

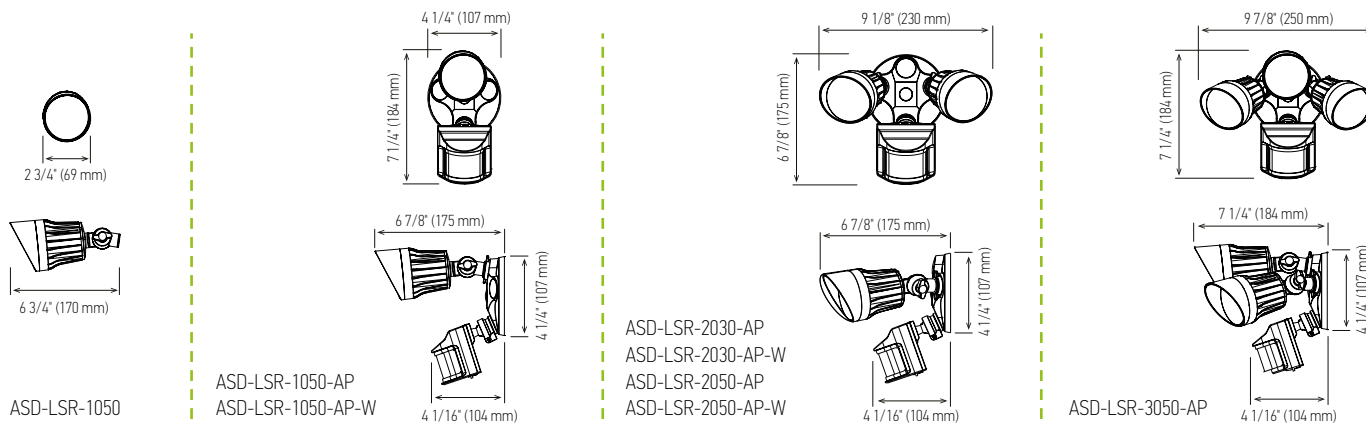


PRODUCT LEGEND:

Family	Watts	CCT	Motion Sensor	Photocell	Finish
ASD-LSR	XX	XX	A	P	X
LED Security Light	10 = 10 W 20 = 20 W 30 = 30 W	30 = 3,000 K 50 = 5,000 K	150° Motion Sensor	Photocell	Blank = Black W = White

LED SECURITY LIGHT:

Model	Head Qty	Watts	Voltage	CCT	Lumens	Finish	Dimensions (LxWxH)
ASD-LSR-1050	1	10 W	120-277 V	5,000 K	907 lm	Black	2 3/4" x 6 3/4" x 2 3/4"
ASD-LSR-1050-AP	1	10 W	120-277 V	5,000 K	984 lm	Black	4 1/4" x 6 7/8" x 7 1/4"
ASD-LSR-1050-AP-W	1	10 W	120-277 V	5,000 K	984 lm	White	4 1/4" x 6 7/8" x 7 1/4"
ASD-LSR-2030-AP	2	20 W	120-277 V	3,000 K	1,954 lm	Black	9 1/8" x 6 7/8" x 6 7/8"
ASD-LSR-2030-AP-W	2	20 W	120-277 V	3,000 K	1,954 lm	White	9 1/8" x 6 7/8" x 6 7/8"
ASD-LSR-2050-AP	2	20 W	120-277 V	5,000 K	1,954 lm	Black	9 1/8" x 6 7/8" x 6 7/8"
ASD-LSR-2050-AP-W	2	20 W	120-277 V	5,000 K	1,954 lm	White	9 1/8" x 6 7/8" x 6 7/8"
ASD-LSR-3050-AP	3	30 W	120-277 V	5,000 K	2,709 lm	Black	9 7/8" x 7 1/4" x 7 1/4"



For most up-to-date spec sheets please refer to asd-lighting.com

ASD LIGHTING CORP

E-mail: orders@asd-lighting.com | Web site: www.asd-lighting.com





LED SECURITY LIGHT

Standard Series

PRODUCT SPECIFICATIONS:

Construction & Materials						
Lens	PC					
Reflector	Aluminum					
Housing	Aluminum					
Finish Color	Black, White					
Weight	ASD-LSR-1050	0.9 lb (0.4 kg)	ASD-LSR-2030-AP	1.7 lb (0.8 kg)	ASD-LSR-3050-AP	2.3 lb (1.1 kg)
	ASD-LSR-1050-AP	1.1 lb (0.7 kg)	ASD-LSR-2030-AP-W			
	ASD-LSR-1050-AP-W		ASD-LSR-2050-AP			
			ASD-LSR-2050-AP-W			
Environmental System						
Work Environment	Suitable for Wet Locations, IP65					
Operating Temperature	-4°F to 131°F / -20°C to 55°C					
L70 life	R > 50,000 hrs; C > 140,000 hrs					
Optical System						
Luminous Flux	ASD-LSR-1050	907 lm	ASD-LSR-2030-AP	1,954 lm	ASD-LSR-3050-AP	2,709 lm
	ASD-LSR-1050-AP	984 lm	ASD-LSR-2030-AP-W			
	ASD-LSR-1050-AP-W		ASD-LSR-2050-AP			
			ASD-LSR-2050-AP-W			
Color Temperature	3,000 K; 5,000 K					
CRI	> 80					
Electrical System						
Input Voltage	120-277 V					
Max input current	ASD-LSR-1050	0.25 A	ASD-LSR-2030-AP	0.25 A * 2	ASD-LSR-3050-AP	0.25 A * 3
	ASD-LSR-1050-AP		ASD-LSR-2030-AP-W			
	ASD-LSR-1050-AP-W		ASD-LSR-2050-AP			
			ASD-LSR-2050-AP-W			
Inrush current (Action time)	< 10 A (0.08 S)					
AC input range	min 108V max 277V					
Off State Power	0 W					
Power Consumption	ASD-LSR-1050	10 W	ASD-LSR-2030-AP	20 W	ASD-LSR-3050-AP	30 W
	ASD-LSR-1050-AP		ASD-LSR-2030-AP-W			
	ASD-LSR-1050-AP-W		ASD-LSR-2050-AP			
			ASD-LSR-2050-AP-W			
Power Factor	> 0.9					
Output voltage	36 V					
Max output current	250 mA					

Regular and Voluntary Certifications

5-year limited warranty
 cETLus certified 5002143
 DesignLights Consortium (DLC) listed (Classification: Standard)
 Main: Outdoor Luminaires
 General Application: Low Output
 Primary Use: Architectural Flood and Spot Luminaires

INSTALLATION GUIDE

IMPORTANT SAFETY INFORMATION:

Please read all the instructions below before installation.

- ▶ Make sure that the supply voltage corresponds to the rated product voltage.
- ▶ The product must be installed by a qualified electrician in accordance with the National Electrical Code and corresponding local codes.
- ▶ If the product is damaged, do not use it.

⚠ WARNING

RISK OF PERSONAL INJURY – READ and follow all WARNINGS and installation instructions.

Keep or give to the owner for future reference.

Risk of cuts: Wear gloves to prevent cuts or abrasions when removing from carton, handling, installing, and maintaining this product.

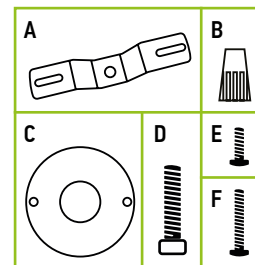
Risk of electric shock: This product must be installed in accordance with the applicable installation code by a person familiar with the construction and operation of the product and the hazards involved.

Risk of Fire: Minimum 194°F supply conductors. Consult a qualified electrician to ensure correct branch circuit conductor.

ASD® assumes no responsibility for claims arising out of improper or careless installation or handling of this product.

PACKAGE CONTENTS:

Description	Q-ty
LED Security Light	1
Cross Bar (A)	1
Wire nuts (B)	3
Gasket (C)	1
Bracket screw (D)	1
Cross Bar Screw 3/8" (E)	2
Cross Bar Screw 3/4" (F)	2
Box	1
Cut Sheet	2



For most up-to-date spec sheets please refer to asd-lighting.com

ASD LIGHTING CORP

E-mail: orders@asd-lighting.com | Web site: www.asd-lighting.com

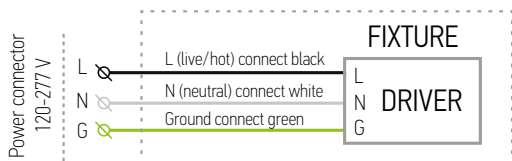




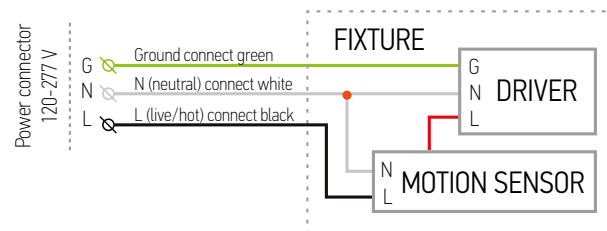
LED SECURITY LIGHT

Standard Series

ELECTRICAL SCHEMATIC DIAGRAM:

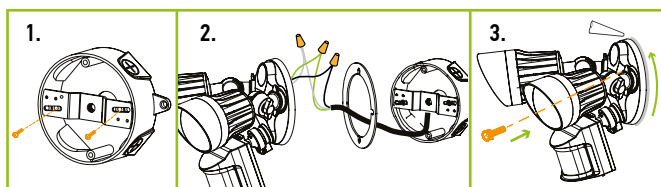


with motion sensor



INSTALLATION STEPS:

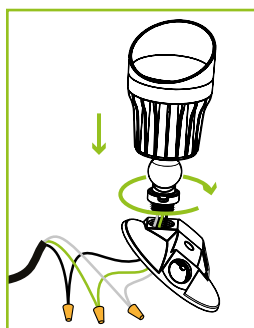
1. Attach crossbar to the outlet box using two mounting screws.
2. Thread the fixture wire through the gasket. Connect the wires: Black to Black, White to White, Green to Green. Secure the connection with wire nuts.
3. Drive the bracket screw through the center hole of the fixture base to the crossbar and secure by tightening it. For outdoor locations it is recommended to use silicone (not included) as shown on a picture.



INSTALLATION STEPS for ASD-LSR-1050:

Fit the ASD-LSR-1050 into the junction box by screwing it clockwise until tight.

Connect the wires:
Black to Black, White to White, Green to Green.
Secure the connection with Wire Nuts.



MOTION SENSOR SETTINGS

Please read this carefully and save it, as it may be needed at a later date.

After installing your motion activated light, you are ready to set-up the motion sensor. Make sure the wall switch is on.

Sensor has three selectable modes:

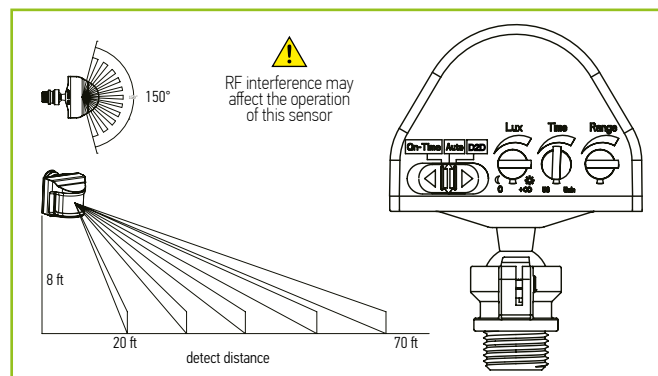
Mode is selected by positioning switch beneath desired mode

1. On-time – light always on (motion sensor and d2d sensor disabled).
2. Auto - motion and dusk-to-dawn function (once photocell detects darkness, motion sensor turns light on/off).
3. D2d - dusk-to-dawn function only (motion sensor disabled).

Photocell sensitivity is adjustable (0→∞ lux); rotating the first knob clockwise increases light sensitivity and vice versa.

Time the light will stay on after motion detection is adjustable (5 sec -5 min), rotating the second knob clockwise will make the light stay on longer (and vice versa).

The motion detection distance is adjustable (20-70ft), rotating the third knob clockwise will increase detection distance and vice versa.



ORDERING INFORMATION

Model	UPC	Pcs in middle box	Middle box Size	Middle box Weight	GTIN 14 for Middle box	Pcs. per Carton	Carton Size	Carton Weight	GTIN 14 for Carton
ASD-LSR-1050	819201020973	-	-	-	-	40	15.7" x 13" x 14.2"	28.7 lb	10819201020970
ASD-LSR-1050-AP	819201020942	-	-	-	-	12	16.5" x 15.7" x 15.4"	24.3 lb	10819201020949
ASD-LSR-1050-AP-W	819201020904	-	-	-	-	12	16.5" x 15.7" x 15.4"	24.3 lb	10819201020901
ASD-LSR-2030-AP	819201022830	-	-	-	-	8	15.6" x 15.6" x 12.8"	19.4 lb	10819201022837
ASD-LSR-2030-AP-W	819201022847	-	-	-	-	8	15.6" x 15.6" x 12.8"	19.4 lb	10819201022844
ASD-LSR-2050-AP	819201020959	2	15.3" x 7.8" x 6.4"	5.5 lb	20819201020953	8	16.2" x 15.8" x 13.9"	23.4 lb	30819201020950
ASD-LSR-2050-AP-W	819201020911	2	15.3" x 7.8" x 6.4"	5.5 lb	30819201020912	8	16.2" x 15.8" x 13.9"	23.4 lb	40819201020919
ASD-LSR-3050-AP	819201020966	-	-	-	-	8	21.7" x 16.7" x 13.8"	25.4 lb	10819201020963

For most up-to-date spec sheets please refer to asd-lighting.com

ASD LIGHTING CORP

E-mail: orders@asd-lighting.com | Web site: www.asd-lighting.com

