



# LED POST LIGHT

## Premium Series

► **DESIGN & OPTIONS** - LED POST LIGHT has a die-cast aluminum body and protective PC lens, designed to produce smooth and uniform lighting. All fixtures are equipped with a 1-10V dimmable driver with 120-277V input voltage. Color adjustable option allows you to set it to 3000K, 4000K or 5000K with a simple switch. Models with a 5000K color temperature and built-in photocell are also available and will automatically turn the fixture on/off depending on the time of day. It comes with a BRONZE finish.

► **INSTALLATION** - This fixture has Outdoor Pole/Arm-Mounted Decorative Luminaires certification and includes a standard slip-fitter bracket mount option as well. Available for poles with 1.9" and 2.9" diameters. Refer to install instructions for more information.

► **APPLICATION** - LED POST LIGHTS are Wet location rated and can operate in temperatures between -4°+122°F (-20°+50°C). This makes them perfect for a variety of outdoor applications such as: pathways, streets, front yards, expressways, roads, factories, playgrounds, schools, gardens, courtyards, parking lots, parks, driveways, stores, farmyards or any other commercial and industrial areas.

► **ENERGY SAVINGS & EFFICIENCY** - This fixture provides a lumen output equal to MH/HPS and can cut your electric bill by up to 80% instantly. With a lifespan of 54,000 hours, these fixtures are made to last decades under normal operation! This fixture will save you a significant amount of money in its lifetime.

► **CERTIFICATION & WARRANTY** - Buy with confidence: ASD provides a 5-year warranty along with UL and DLC Premium certifications to guarantee top quality products and safety!

Top US certifications allow participation in rebates; please check the rebate programs available in your state.

Catalog number	
Notes	
Type	



### PRODUCT LEGEND:

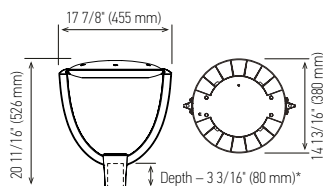
Family	Modification	Options	Watts	Dimmable	CCT	Finish	Series
ASD-LPST	X	XX	XX	X	XX	XX	XXX
LED Post Light	Blank	Blank = No options	35 = 35 W; 55 = 55 W	D = Dimmable	CC = 3,000/4,000/5,000 K	BZ = Bronze	PRM = Premium
	2	PC = Photocell	75 = 75 W; 100 = 100 W		50 = 5,000 K		
			150 = 150 W				

### LED POST LIGHT:

Model	Watts	Options	Dimmable	CCT	Beam Angle	Lumens	Dimensions (LxWxH)	Cord
ASD-LPST-35DCC-BZ-PRM	35 W	-	1-10 V	3,000/4,000/5,000 K	120 degree	3,965/4,541/4,393 lm	20 5/8" x 15" x 4 1/8"	4.9 ft
ASD-LPST-55DCC-BZ-PRM	55 W	-	1-10 V	3,000/4,000/5,000 K	120 degree	6,148/6,994/6,724 lm	20 5/8" x 15" x 4 1/8"	4.9 ft
ASD-LPST-75DCC-BZ-PRM	75 W	-	1-10 V	3,000/4,000/5,000 K	120 degree	8,033/9,288/8,654 lm	20 5/8" x 15" x 4 1/8"	4.9 ft
ASD-LPST2-PC-100D50-BZ-PRM	100 W	Photocell	1-10 V	5,000 K	90 degree	12,707 lm	17 3/4" x 20 7/8" x 26 1/4"	7.2 ft
ASD-LPST2-PC-150D50-BZ-PRM	150 W	Photocell	1-10 V	5,000 K	90 degree	18,938 lm	17 3/4" x 20 7/8" x 26 1/4"	7.2 ft

### LPST

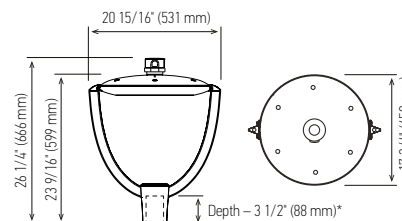
CCT	Photocell	Default lens	Lens option
3CCT	-	120°	60°, 90°



\*Slip fitter will fit poles up to 2 3/4 inch diameter

### LPST2

CCT	Photocell	Default lens	Lens option
Single CCT	Installed	90°	60°



For most up-to-date spec sheets please refer to [asd-lighting.com](http://asd-lighting.com)



# LED POST LIGHT

Premium Series

## PRODUCT SPECIFICATIONS:

Construction & Materials					
Housing	Aluminum Alloy				
Lens	Tempered Glass				
Finish Color	Bronze				
Weight	ASD-LPST-35DCC-BZ-PRM	12.1 lb (5.5 kg)	ASD-LPST2-PC-100D50-BZ-PRM	14.3 lbs (6.5 kg)	
	ASD-LPST-55DCC-BZ-PRM		ASD-LPST2-PC-150D50-BZ-PRM		
	ASD-LPST-75DCC-BZ-PRM				
Environmental System					
Work Environment	Suitable for Wet Locations, IP65				
Operating Temperature	-4°F to 122°F (-20°C to +50°C)				
L-70 Life	R > 54,000 hrs; C > 174,000 hrs				
Optical System					
Luminous Flux	ASD-LPST-35DCC-BZ-PRM	3,965/4,541/4,393 lm	ASD-LPST2-PC-100D50-BZ-PRM	12,707 lm	
	ASD-LPST-55DCC-BZ-PRM	6,148/6,994/6,724 lm	ASD-LPST2-PC-150D50-BZ-PRM	18,938 lm	
	ASD-LPST-75DCC-BZ-PRM	8,033/9,288/8,654 lm			
Color Temperature	5,000K; 3,000K/4,000K/5,000K				
CRI	> 80				
Electrical System					
Input Voltage	120-277VAC				
Max input current	ASD-LPST-35DCC-BZ-PRM	0.35 A	ASD-LPST2-PC-100D50-BZ-PRM	1 A	
	ASD-LPST-55DCC-BZ-PRM	0.55 A	ASD-LPST2-PC-150D50-BZ-PRM	1.5 A	
	ASD-LPST-75DCC-BZ-PRM	0.75 A			
Inrush current (Action time)	ASD-LPST-35DCC-BZ-PRM	60 A (0.77 S)	ASD-LPST2-PC-100D50-BZ-PRM	60 A (0.43 S)	
	ASD-LPST-55DCC-BZ-PRM	60 A (0.65 S)	ASD-LPST2-PC-150D50-BZ-PRM	60 A (0.58 S)	
	ASD-LPST-75DCC-BZ-PRM	65 A (0.96 S)			
AC input range	min 100 V max 277 V				
Off State Power	0 W				
Power Consumption	ASD-LPST-35DCC-BZ-PRM	35 W	ASD-LPST2-PC-100D50-BZ-PRM	100 W	
	ASD-LPST-55DCC-BZ-PRM	55 W	ASD-LPST2-PC-150D50-BZ-PRM	150 W	
	ASD-LPST-75DCC-BZ-PRM	75 W			
Power Factor	≥ 0.9				
Output voltage	ASD-LPST-35DCC-BZ-PRM	41 V	ASD-LPST2-PC-100D50-BZ-PRM	36-54 V	
	ASD-LPST-55DCC-BZ-PRM	41 V	ASD-LPST2-PC-150D50-BZ-PRM	36-48 V	
	ASD-LPST-75DCC-BZ-PRM	36-48 V			
Max output current	ASD-LPST-35DCC-BZ-PRM	750 mA	ASD-LPST2-PC-100D50-BZ-PRM	2 A	
	ASD-LPST-55DCC-BZ-PRM	1.35 A	ASD-LPST2-PC-150D50-BZ-PRM	3.1 A	
	ASD-LPST-75DCC-BZ-PRM	1.6 A			
LED Driver Class	Class 1				
Dimming range					
10-100%					
Dimming compatible controls					
Brand	Leviton		Lutron		Legrand
Models	DS710	IP710	NTSTV-DV	NFTV	DVTV-WH H4FBL3PW
Effective Projected Area (EPA) Ratings					
35-75 W	1.5ft <sup>2</sup>				
100-150 W	2.1ft <sup>2</sup>				
Regulatory and Voluntary Certifications					
5-year limited warranty					
cULus listed	E473804				
DesignLights Consortium (DLC) listed (Classification: Premium) Main: Outdoor Luminaires; General Application: Low Output; Primary Use: Outdoor Pole/Arm-Mounted Decorative Luminaires					

For most up-to-date spec sheets please refer to [asd-lighting.com](http://asd-lighting.com)

ASD LIGHTING CORP

E-mail: [orders@asd-lighting.com](mailto:orders@asd-lighting.com) | Web site: [www.asd-lighting.com](http://www.asd-lighting.com)





# LED POST LIGHT

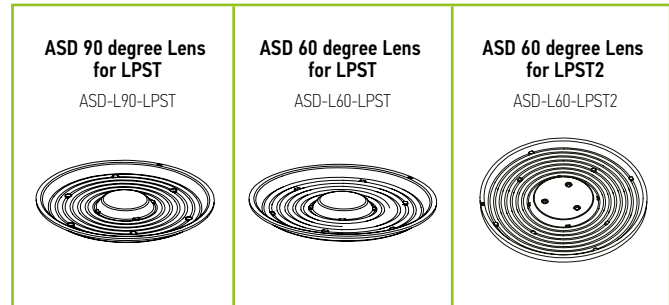
Premium Series

## PACKAGE CONTENTS:

Description	Q-ty
LED Post Light fixture or LED Post Light with Photocell	1
Screw with 1 pcs flat washer and 1 pcs spring washer (A)	2
Tooth pads (B)	2
Wire nuts (C)	5
Box	1
Cut sheet	2



## ACCESSORIES (sold separately):



## INSTALLATION GUIDE

### IMPORTANT SAFETY INFORMATION:

Please read all the instructions below before installation.

- ▶ Make sure that the supply voltage corresponds to the rated product voltage.
- ▶ The product must be installed by a qualified electrician in accordance with the National Electrical Code and corresponding local codes.
- ▶ If the product is damaged, do not use it.

### ⚠ WARNING

**RISK OF PERSONAL INJURY – READ and follow all WARNINGS and installation instructions.**

Keep or give to the owner for future reference.

**Risk of cuts:** Wear gloves to prevent cuts or abrasions when removing from carton, handling, installing, and maintaining this product.

**Risk of electric shock:** This product must be installed in accordance with the applicable installation code by a person familiar with the construction and operation of the product and the hazards involved.

**Risk of Fire:** Minimum 194°F supply conductors. Consult a qualified electrician to ensure correct branch circuit conductor.

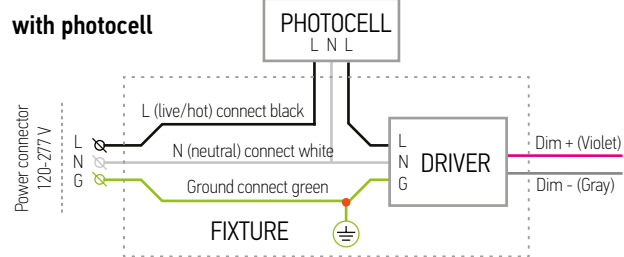
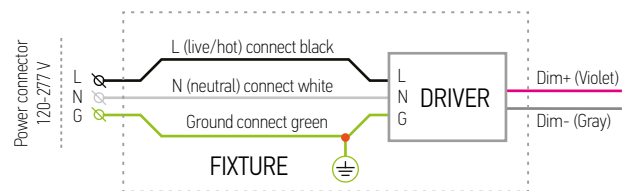
ASD® assumes no responsibility for claims arising out of improper or careless installation or handling of this product.

### INTEGRATED PHOTOCELL INFORMATION:

- ▶ ANSI C136.10-2010 Twist Lock
- ▶ Multi-Volts Application
- ▶ Surge Arrester Built-In

Specifications	Model JL-207C
For fixtures models	ASD-LPST2-PC-100D50-BZ-PRM ASD-LPST2-PC-150D50-BZ-PRM
Rated Voltage	120-277VAC
Typical On/Off Level	16Lx On / 24Lx Off
Ambient Temperature	-40°C to 70°C

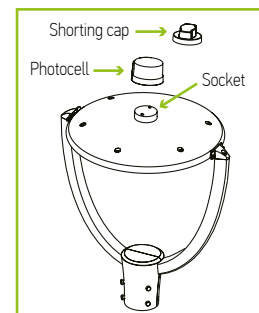
### ELECTRICAL SCHEMATIC DIAGRAM:



### FACTORY INSTALLED PHOTOCELL:

only for models: ASD-LPST2

1. Push the photocell on and twist it clockwise to lock it into the receptacle.
2. Install the photocell facing the NORTH direction as indicated on the top.
3. Adjust the receptacle position if necessary.



For most up-to-date spec sheets please refer to [asd-lighting.com](http://asd-lighting.com)



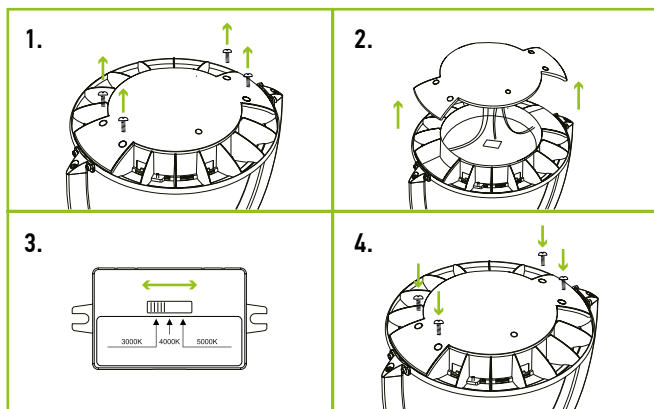
# LED POST LIGHT

Premium Series

## CCT ADJUST:

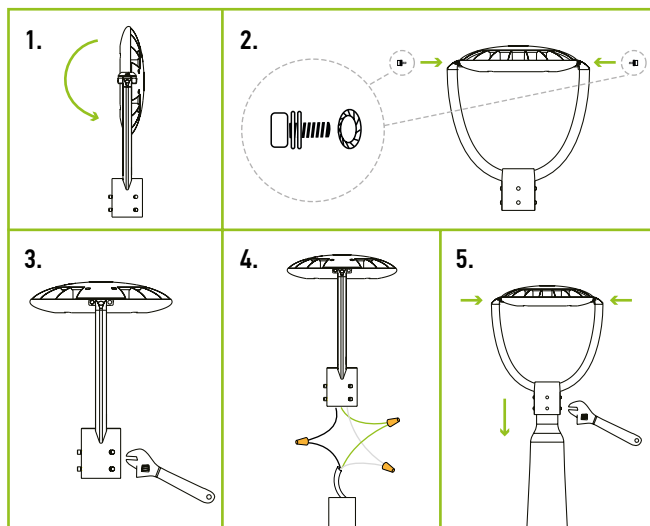
only for models: ASD-LPST

1. Unscrew 4 screws on top of lamp body.
2. Take off top cover.
3. Use switch to choose desired CCT (CCT switch placed underneath top cover).
4. After choosing desired CCT, close top cover and tighten the screws.



## INSTALLATION STEPS:

1. Rotate light until it is facing downward.
2. Screw in 1 screw per side to lock the fixture into position.
3. Loosen slipfitter base.
4. Wire the fixture in accordance to the wiring diagram in these specs.
5. Tighten the base of the fixture around the pole.



## ORDERING INFORMATION

### LED POST LIGHT:

Model	Watts	UPC	Pcs in one Carton	Carton Size	Carton Weight
ASD-LPST-35DCC-BZ-PRM	35 W	819201025787	1	28.7" x 20.3" x 7.1"	14.3 lb
ASD-LPST-55DCC-BZ-PRM	55 W	819201025794	1	28.7" x 20.3" x 7.1"	14.3 lb
ASD-LPST-75DCC-BZ-PRM	75 W	819201025800	1	28.7" x 20.3" x 7.1"	14.3 lb
ASD-LPST2-PC-100D50-BZ-PRM	100 W	819201027040	1	32.9" x 23" x 6.1"	18.7 lb
ASD-LPST2-PC-150D50-BZ-PRM	150 W	819201027057	1	32.9" x 23" x 6.1"	18.7 lb

### ACCESSORIES:

Model	Name	Materials	Weight	Dimensions
ASD-L90-LPST	ASD 90 degree Lens for LPST	PC	1.1 lb (0.5 kg)	9 1/4" x 9 1/4" x 1/2"
ASD-L60-LPST	ASD 60 degree Lens for LPST	PC	1.1 lb (0.5 kg)	9 1/4" x 9 1/4" x 1/2"
ASD-L60-LPST2	ASD 60 degree Lens for LPST2	PC	0.8 lb (0.4 kg)	12 3/8" x 12 3/8" x 1/2"

Model	Pcs in one Carton	Carton Size	Carton Weight	UPC	GTIN 14
ASD-L90-LPST	20	10.6" x 10.2" x 16.9"	26.5 lbs	819201025817	10819201025814
ASD-L60-LPST	20	10.6" x 10.2" x 16.9"	26.5 lbs	819201025824	10819201025821
ASD-L60-LPST2	20	12.8" x 12.8" x 14.4"	16.5 lbs	819201027064	10819201027061

For most up-to-date spec sheets please refer to [asd-lighting.com](http://asd-lighting.com)

ASD LIGHTING CORP

E-mail: [orders@asd-lighting.com](mailto:orders@asd-lighting.com) | Web site: [www.asd-lighting.com](http://www.asd-lighting.com)

