



LED UFO HIGH BAY WITH Q-BASE

► **DESIGN** - LED UFO HIGH BAY Q-BASE has a built-in motion sensor base, allowing you to install the microwave motion or PIR sensor. Die-cast aluminum housing with excellent heat dissipation along with an anti-glare PC lens provide many years of use. It can operate in temperatures ranging from -40 to 149°F. It runs on 120-277V or 277-480V circuits with a 0-10V dimmable driver.

► **COLOR AND POWER SELECTABLE** - You can choose either a 3,000K warm white, 4,000K cool white or 5,000K daylight color temperature, and change the power with a simple switch.

► **IP69K** - rating provides protection against ingress of dust and high temperature, high pressure water.

► Surge protection 6kV protects the fixture from voltage spikes and current surges.

► **INSTALLATION** - This fixture has three different mounting options: suspended, surface, and pendant. It comes with 4 ft cord. Perfect commercial or industrial solution for warehouses, supermarkets, retail stores, gyms, and many other applications.

► **ADVANTAGES** - With calculated lifespan up to 155,000 hours, these fixtures are made to last decades under normal operation! ASD provides a 5-year limited warranty along with UL and DLC Premium certifications to guarantee top quality products and safety!

Catalog number	
Notes	
Type	



Finish:	White
	Black

Model	Watts	Voltage	Dimmable	Lumens	CCT	Finish	Dimensions (LxWxH)	Cord	
ASD-UHB3-100DAC-BK	100W	120-277 V	0-10 V	14,500/15,017/14,603 lm	3CCT (3,000/4,000/5,000 K)	Black	10-1/4" x 10-1/4" x 6-7/16"	4 ft	
ASD-UHB3-100ADAC-BK	60/80/100W	120-277 V	0-10 V	9,559/12,354/14,603 lm	3CCT (3,000/4,000/5,000 K)	Black	10-1/4" x 10-1/4" x 6-7/16"	4 ft	
ASD-UHB3-150DAC-BK	150W	120-277 V	0-10 V	21,750/22,570/22,437 lm	3CCT (3,000/4,000/5,000 K)	Black	10-1/4" x 10-1/4" x 6-7/16"	4 ft	
ASD-UHB3-150ADAC-WH	100/120/150W	120-277 V	0-10 V	15,974/18,615/21,521 lm	3CCT (3,000/4,000/5,000 K)	White	10-1/4" x 10-1/4" x 6-7/16"	4 ft	
ASD-UHB3-150ADAC-BK	100/120/150W	120-277 V	0-10 V	15,974/18,615/21,521 lm	3CCT (3,000/4,000/5,000 K)	Black	10-1/4" x 10-1/4" x 6-7/16"	4 ft	
ASD-UHB3-200ADAC-WH	100/150/200W	120-277 V	0-10 V	16,255/23,468/30,407 lm	3CCT (3,000/4,000/5,000 K)	White	12-5/8" x 12-5/8" x 6-15/16"	4 ft	
ASD-UHB3-200ADAC-BK	100/150/200W	120-277 V	0-10 V	16,255/23,468/30,407 lm	3CCT (3,000/4,000/5,000 K)	Black	12-5/8" x 12-5/8" x 6-15/16"	4 ft	
ASD-UHB3-240DAC-BK	240W	120-277 V	0-10 V	34,800/37,169/36,978 lm	3CCT (3,000/4,000/5,000 K)	Black	12-5/8" x 12-5/8" x 6-5/8"	4 ft	
ASD-UHB3-240ADAC-BK	150/200/240W	120-277 V	0-10 V	24,541/31,243/34,912 lm	3CCT (3,000/4,000/5,000 K)	Black	12-5/8" x 12-5/8" x 6-15/16"	4 ft	
ASD-UHB3-300DAC-BK	300W	120-277 V	0-10 V	41,282/44,960/43,017 lm	3CCT (3,000/4,000/5,000 K)	Black	12-5/8" x 12-5/8" x 7-11/16"	4 ft	
ASD-UHB3-300ADAC-BK	200/240/300W	120-277 V	0-10 V	30,977/35,304/40,913 lm	3CCT (3,000/4,000/5,000 K)	Black	12-5/8" x 12-5/8" x 7-11/16"	4 ft	
ASD-UHB3-400D50-BK	400W	120-277 V	0-10 V	58,725 lm	5,000 K	Black	16-9/16" x 16-9/16" x 9-1/8"	4 ft	
ASD-UHB3-500D50-BK	500W	120-277 V	0-10 V	72,413 lm	5,000 K	Black	16-9/16" x 16-9/16" x 9-1/8"	4 ft	
ASD-UHB3-500ADAC-BK	300/400/500W	120-277 V	0-10 V	47,548/59,570/69,777 lm	3CCT (3,000/4,000/5,000 K)	Black	16-9/16" x 16-9/16" x 9-1/8"	4 ft	
UHB3HV HIGH VOLTAGE									
ASD-UHB3HV-150D50-BK	150W	277-480 V	0-10 V	22,200 lm	5,000 K	Black	10-1/4" x 10-1/4" x 6-7/16"	4 ft	
ASD-UHB3HV-200D50-BK	200W	277-480 V	0-10 V	29,600 lm	5,000 K	Black	12-5/8" x 12-5/8" x 6-13/16"	4 ft	
ASD-UHB3HV-300ADAC-BK	200/240/300W	277-480 V	0-10 V	28,531/32,942/39,042 lm	3CCT (3,000/4,000/5,000 K)	Black	12-5/8" x 12-5/8" x 7-11/16"	4 ft	
ASD-UHB3HV-400D50-BK	400W	277-480 V	0-10 V	58,651 lm	5,000 K	Black	16-9/16" x 16-9/16" x 10-3/8"	4 ft	
ASD-UHB3HV-500D50-BK	500W	277-480 V	0-10 V	70,425 lm	5,000 K	Black	16-9/16" x 16-9/16" x 10-3/8"	4 ft	
ASD-UHB3HV-500ADAC-BK	300/400/500W	277-480 V	0-10 V	47,247/59,701/70,715 lm	3CCT (3,000/4,000/5,000 K)	Black	16-9/16" x 16-9/16" x 10-3/8"	4 ft	
HD09VR-MH	Microwave motion sensor							2-1/8" x 2-1/8" x 1-5/16"	-
HD09VR-PH	PIR motion sensor							2-1/8" x 2-1/8" x 1-5/8"	-
HD05R	Remote control for motion sensor							5-1/2" x 2-5/16" x 7/8"	-

For most up-to-date spec sheets please refer to asd-lighting.com



LED UFO HIGH BAY WITH Q-BASE

PRODUCT SPECIFICATIONS:

Construction & Materials						
Housing	Die-cast aluminum					
Lens	PC					
Finish	White, Black					
Weight	ASD-UHB3-100DAC-BK	4.8 lbs (2.2 kg)	ASD-UHB3-240DAC-BK	7.1 lbs (3.2 kg)	ASD-UHB3HV-150D50-BK	5.2 lbs (2.4 kg)
	ASD-UHB3-100ADAC-BK	4.9 lbs (2.2 kg)	ASD-UHB3-240ADAC-BK		ASD-UHB3HV-200D50-BK	8.9 lbs (4 kg)
	ASD-UHB3-150DAC-BK	4.8 lbs (2.2 kg)	ASD-UHB3-300DAC-BK	10.5 lbs (4.8 kg)	ASD-UHB3HV-300ADAC-BK	10.6 lbs (4.8 kg)
	ASD-UHB3-150ADAC-WH	4.9 lbs (2.2 kg)	ASD-UHB3-300ADAC-BK	9.9 lbs (4.5 kg)	ASD-UHB3HV-400D50-BK	22.4 lbs (10.2 kg)
	ASD-UHB3-150ADAC-BK		ASD-UHB3-400D50-BK		ASD-UHB3HV-500D50-BK	
	ASD-UHB3-200ADAC-WH	7.1 lbs (3.2 kg)	ASD-UHB3-500D50-BK	17.4 lbs (7.9 kg)	ASD-UHB3HV-500ADAC-BK	22.5 lbs (10.2 kg)
ASD-UHB3-200ADAC-BK	ASD-UHB3-500ADAC-BK					
Environmental system						
Work environment	Suitable for Wet Locations, IP65/69K					
Operating temperature	-40°F to 149°F (-40°C to 65°C) *					
L-70 Life	ASD-UHB3-100DAC-BK	R > 54,000 hrs; C > 155,000 hrs	ASD-UHB3-240DAC-BK	R > 54,000 hrs; C > 155,000 hrs	ASD-UHB3HV-150D50-BK	R > 54,000 hrs; C > 146,000 hrs
	ASD-UHB3-100ADAC-BK	R > 54,000 hrs; C > 141,000 hrs	ASD-UHB3-240ADAC-BK	R > 54,000 hrs; C > 141,000 hrs	ASD-UHB3HV-200D50-BK	
	ASD-UHB3-150DAC-BK	R > 54,000 hrs; C > 155,000 hrs	ASD-UHB3-300DAC-BK	R > 54,000 hrs; C > 155,000 hrs	ASD-UHB3HV-300ADAC-BK	R > 50,000 hrs; C > 166,000 hrs
	ASD-UHB3-150ADAC-WH	R > 54,000 hrs; C > 141,000 hrs	ASD-UHB3-300ADAC-BK	R > 50,000 hrs; C > 166,000 hrs	ASD-UHB3HV-400D50-BK	R > 47,000 hrs; C > 157,000 hrs
	ASD-UHB3-150ADAC-BK		ASD-UHB3-400D50-BK	R > 47,000 hrs; C > 157,000 hrs	ASD-UHB3HV-500D50-BK	
	ASD-UHB3-200ADAC-WH		ASD-UHB3-500D50-BK	R > 48,000 hrs; C > 158,000 hrs	ASD-UHB3HV-500ADAC-BK	R > 48,000 hrs; C > 141,000 hrs
ASD-UHB3-200ADAC-BK	ASD-UHB3-500ADAC-BK					
Optical system						
Luminous flux	ASD-UHB3-100DAC-BK	14,500/15,017/14,603 lm	ASD-UHB3-240DAC-BK	34,800/37,169/36,978 lm	ASD-UHB3HV-150D50-BK	22,200 lm
	ASD-UHB3-100ADAC-BK	9,559/12,354/14,603 lm	ASD-UHB3-240ADAC-BK	24,541/31,243/34,912 lm	ASD-UHB3HV-200D50-BK	29,600 lm
	ASD-UHB3-150DAC-BK	21,750/22,570/22,437 lm	ASD-UHB3-300DAC-BK	41,282/44,960/43,017 lm	ASD-UHB3HV-300ADAC-BK	28,531/32,942/39,042 lm
	ASD-UHB3-150ADAC-WH	15,974/18,615/21,521 lm	ASD-UHB3-300ADAC-BK	30,977/35,304/40,913 lm	ASD-UHB3HV-400D50-BK	58,651 lm
	ASD-UHB3-150ADAC-BK		ASD-UHB3-400D50-BK	58,725 lm	ASD-UHB3HV-500D50-BK	70,425 lm
	ASD-UHB3-200ADAC-WH	16,255/23,468/30,407 lm	ASD-UHB3-500D50-BK	72,413 lm	ASD-UHB3HV-500ADAC-BK	47,247/59,701/70,715 lm
ASD-UHB3-200ADAC-BK	ASD-UHB3-500ADAC-BK		47,548/59,570/69,777 lm			
Color temperature	5,000 K 3CCT switch (3,000/4,000/5,000 K), 5,000 K by default					
CRI	> 80					
Electrical system						
Input voltage	Regular voltage: 120-277 V					
	High voltage: 277-480 V					
Max input current	ASD-UHB3-100DAC-BK	1.6 A	ASD-UHB3-240DAC-BK	3 A	ASD-UHB3HV-150D50-BK	2 A
	ASD-UHB3-100ADAC-BK		ASD-UHB3-240ADAC-BK		ASD-UHB3HV-200D50-BK	2.6 A
	ASD-UHB3-150DAC-BK	2 A	ASD-UHB3-300DAC-BK	4 A	ASD-UHB3HV-300ADAC-BK	2.1 A
	ASD-UHB3-150ADAC-WH		ASD-UHB3-300ADAC-BK		ASD-UHB3HV-400D50-BK	5 A
	ASD-UHB3-150ADAC-BK		ASD-UHB3-400D50-BK	5 A	7 A	
	ASD-UHB3-200ADAC-WH		ASD-UHB3-500D50-BK	7 A		
ASD-UHB3-200ADAC-BK	ASD-UHB3-500ADAC-BK	5.8 A				
Inrush current (Action time)	80 A (0.5 S)					
Off state power	0W					
Power consumption	ASD-UHB3-100DAC-BK	100W	ASD-UHB3-240DAC-BK	240W	ASD-UHB3HV-150D50-BK	150W
	ASD-UHB3-100ADAC-BK	60/80/100W	ASD-UHB3-240ADAC-BK	150/200/240W	ASD-UHB3HV-200D50-BK	200W
	ASD-UHB3-150DAC-BK	150W	ASD-UHB3-300DAC-BK	300W	ASD-UHB3HV-300ADAC-BK	200/240/300W
	ASD-UHB3-150ADAC-WH	100/120/150W	ASD-UHB3-300ADAC-BK	200/240/300W	ASD-UHB3HV-400D50-BK	400W
	ASD-UHB3-150ADAC-BK		ASD-UHB3-400D50-BK	400W	ASD-UHB3HV-500D50-BK	500W
	ASD-UHB3-200ADAC-WH	100/150/200W	ASD-UHB3-500D50-BK	500W	ASD-UHB3HV-500ADAC-BK	300/400/500W
ASD-UHB3-200ADAC-BK	ASD-UHB3-500ADAC-BK		300/400/500W			
Power factor	> 0.9					
Output voltage	ASD-UHB3-100DAC-BK	180-260 V	ASD-UHB3-240DAC-BK	180-260 V	ASD-UHB3HV-150D50-BK	260 V
	ASD-UHB3-100ADAC-BK		ASD-UHB3-240ADAC-BK		ASD-UHB3HV-200D50-BK	
	ASD-UHB3-150DAC-BK		ASD-UHB3-300DAC-BK	215 V	ASD-UHB3HV-300ADAC-BK	114-228 V
	ASD-UHB3-150ADAC-WH		ASD-UHB3-300ADAC-BK	114-228 V	ASD-UHB3HV-400D50-BK	215 V
	ASD-UHB3-150ADAC-BK		ASD-UHB3-400D50-BK	215 V	ASD-UHB3HV-500D50-BK	
	ASD-UHB3-200ADAC-WH		ASD-UHB3-500D50-BK	215 V	ASD-UHB3HV-500ADAC-BK	114-228 V
ASD-UHB3-200ADAC-BK	ASD-UHB3-500ADAC-BK	114-228 V				
Max output current	ASD-UHB3-100DAC-BK	0.4 A	ASD-UHB3-240DAC-BK	0.97 A	ASD-UHB3HV-150D50-BK	0.3 A
	ASD-UHB3-100ADAC-BK		ASD-UHB3-240ADAC-BK		ASD-UHB3HV-200D50-BK	0.8 A
	ASD-UHB3-150DAC-BK	0.6 A	ASD-UHB3-300DAC-BK	1.25 A	ASD-UHB3HV-300ADAC-BK	1.4 A
	ASD-UHB3-150ADAC-WH		ASD-UHB3-300ADAC-BK	1.75 A	ASD-UHB3HV-400D50-BK	1.66 A
	ASD-UHB3-150ADAC-BK		ASD-UHB3-400D50-BK	1.66 A	ASD-UHB3HV-500D50-BK	2.075 A
	ASD-UHB3-200ADAC-WH		ASD-UHB3-500D50-BK	2.075 A	ASD-UHB3HV-500ADAC-BK	
ASD-UHB3-200ADAC-BK	ASD-UHB3-500ADAC-BK					
Surge protection DM/CM	4 kV / 6 kV	for ASD-UHB3-300DAC-BK, ASD-UHB3-300ADAC-BK, ASD-UHB3-400D50-BK, ASD-UHB3-500D50-BK, ASD-UHB3-500ADAC-BK, ASD-UHB3HV-300ADAC-BK, ASD-UHB3HV-400D50-BK, ASD-UHB3HV-500D50-BK, ASD-UHB3HV-500ADAC-BK models: 6 kV / 6 kV				

For most up-to-date spec sheets please refer to asd-lighting.com



LED UFO HIGH BAY WITH Q-BASE

Dimming compatible controls			
Brand	Lutron	Leviton	
Models	DVSTV	DVTV	DS710
Regular and voluntary certifications			
5-year limited warranty			
DesignLights Consortium (DLC) listed (classification: Premium) Main: Indoor luminaires; General application: High-bay; Primary use: High-bay luminaires for commercial and industrial buildings.			
UL listed E473804			


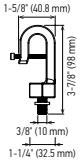
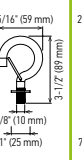
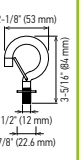
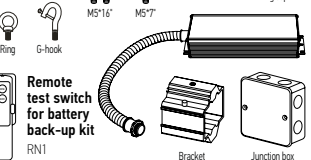
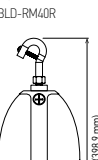
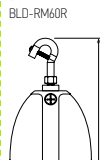
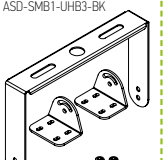
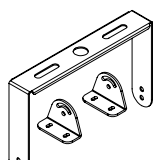
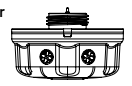
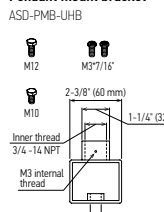
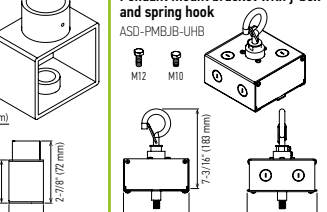

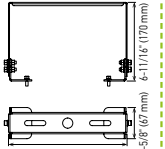
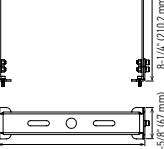
PACKAGE CONTENTS:

Description	Q-ty
LED UFO High Bay with Q-Base	1
Mounting ring (A)	1
Box	1



* Under extreme conditions fixture may enter protection mode. If ambient temperature exceeds 149°F (65°C) for an extended period of time, lumen output will decrease to 60% capacity. At higher sustained temperatures protection mode will terminate power to the fixture.

ACCESSORIES (sold separately):

Remote control for motion sensor HD05R 	Screw-bolt hook ASD-HS-M10 1-5/8" (40.8 mm) 	Spring hook ASD-H-M10 2-5/16" (59 mm) 	Spring hook ASD-H-M12 2-1/8" (53 mm) 	Battery back-up kit 60W for 277-480V BLD-GM60R-HV M5*14" M5*7" Ring G-hook Remote test switch for battery back-up kit RN1 Bracket Junction box 	Battery back-up kit 40W BLD-RM40R 5-5/8" (142.3 mm) 	Battery back-up kit 60W BLD-RM60R 5-3/4" (146.2 mm) 	Surface mount bracket ASD-SMB1-UHB3-WH ASD-SMB1-UHB3-BK 	ASD-SMB2-UHB3-BK 
Microwave motion sensor HD09VR-MH 	Pendant mount bracket ASD-PMB-UHB M12 M3*7/16" M10 2-3/8" (60 mm) 1-1/4" (32 mm) Inner thread 3/4"-14 NPT M3 internal thread 1-1/8" (30 mm) 1-5/8" (40 mm) 2-3/8" (59 mm) 	Pendant mount bracket with j-box and spring hook ASD-PMBJB-UHB M12 M10 7-3/16" (183 mm) 4-3/4" (120 mm) 5-1/16" (128 mm) 	Remote test switch for battery back-up kit RN1 	Surface mount bracket ASD-SMB1-UHB3-WH ASD-SMB1-UHB3-BK M5*9/16" nut M6*5/8" nut M5*9/16" nut 10-1/16" (254 mm) 2-5/16" (67 mm) 	Surface mount bracket ASD-SMB2-UHB3-BK M5*9/16" nut M6*5/8" nut M5*9/16" nut 8-1/4" (210.2 mm) 2-5/16" (67 mm) 			

ACCESSORY COMPATIBILITY LIST:

Models	Accessories											
	Microwave motion sensor HD09VR-MH	PIR motion sensor HD07V9-PH	Spring hook M10 ASD-H-M10	Screw-bolt hook M10 ASD-HS-M10	Spring hook M12 ASD-H-M12	Battery back-up kit 40W BLD-RM40R	Battery back-up kit 60W BLD-RM60R	Battery back-up kit 60W for 277-480V BLD-GM60R-HV	Pendant mount bracket ASD-PMB-UHB	Pendant mount bracket with j-box and spring hook ASD-PMBJB-UHB	Surface mount bracket ASD-SMB1-UHB3-WH ASD-SMB1-UHB3-BK	Surface mount bracket ASD-SMB2-UHB3-BK
ASD-UHB3-100DAC-BK	•	•	•	•	•	•	•		•	•	•	
ASD-UHB3-100ADAC-BK	•	•	•	•	•	•	•		•	•	•	
ASD-UHB3-150DAC-BK	•	•	•	•	•	•	•		•	•	•	
ASD-UHB3-150ADAC-WH	•	•	•	•	•	•	•		•	•	•	
ASD-UHB3-150ADAC-BK	•	•	•	•	•	•	•		•	•	•	
ASD-UHB3-200ADAC-WH	•	•	•	•	•	•	•		•	•	•	
ASD-UHB3-200ADAC-BK	•	•	•	•	•	•	•		•	•	•	
ASD-UHB3-240DAC-BK	•	•	•	•	•	•	•		•	•	•	
ASD-UHB3-240ADAC-BK	•	•	•	•	•	•	•		•	•	•	
ASD-UHB3-300DAC-BK	•	•	•	•	•	•	•		•	•	•	
ASD-UHB3-300ADAC-BK	•	•	•	•	•	•	•		•	•	•	
ASD-UHB3-400D50-BK	•	•	•	•	•	•	•		•	•	•	•
ASD-UHB3-500D50-BK	•	•	•	•	•	•	•		•	•	•	•
ASD-UHB3-500ADAC-BK	•	•	•	•	•	•	•		•	•	•	•
ASD-UHB3HV-150D50-BK	•	•	•	•	•	•	•		•	•	•	•
ASD-UHB3HV-200D50-BK	•	•	•	•	•	•	•		•	•	•	•
ASD-UHB3HV-300ADAC-BK	•	•	•	•	•	•	•		•	•	•	•
ASD-UHB3HV-400D50-BK	•	•	•	•	•	•	•		•	•	•	•
ASD-UHB3HV-500D50-BK	•	•	•	•	•	•	•		•	•	•	•
ASD-UHB3HV-500ADAC-BK	•	•	•	•	•	•	•		•	•	•	•

Note: Battery back-up kit and the Motion sensor kit can not work together. Please install one at a time.

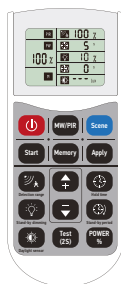
For most up-to-date spec sheets please refer to asd-lighting.com



LED UFO HIGH BAY WITH Q-BASE

MOTION SENSOR INFORMATION

REMOTE CONTROL **HD05R** sold separately:



Button	Remarks	Button	Remarks	Button	Remarks
	ON/OFF Turn the sensor ON/OFF.		Apply Applies current scene settings to the fixture.		Hold time The period that light will stay illuminated 100 % after no motion is detected. Use this button and the + - buttons to adjust.
	MW/PIR Select Microwave or PIR sensor.		Detection range Also known as "sensitivity", 100 % means the highest sensitivity and longest distance. Use this button and the + - buttons to adjust.		Stand-by period The period after holdtime, during which the light keeps standby dimming level. Use this button and the + - buttons to adjust.
	Scene Shows current settings saved in remote.		Stand-by dimming After hold time, the light will dim from 100 % to optional standby dimming levels. Use this button and the + - buttons to adjust.		Daylight sensor The preset lux level at which motion will be detected. Use this button and the + - buttons to adjust.
	Start Press this to begin scene setup.		UP The main functional buttons to adjust the factors to desired level. Press + - button to dim light directly in non-detection mode.		Test mode Press this button to test the sensor; it will temporarily change the hold time to 2s. This setting cannot be saved.
	Memory Saves the scene settings.		DOWN		Power The dimming output in detection mode. Use this button and the + - buttons to adjust.

* When any programming is set, icon will blink for 5s and fixture will dim and then resume at 100% meaning the program has been saved.



HD09VR-PH
PIR motion
sensor

+



remote control
HD05R
(sold separately)



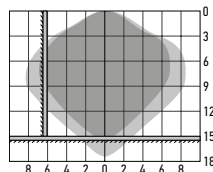
HD09VR-MH
Microwave
motion sensor

+

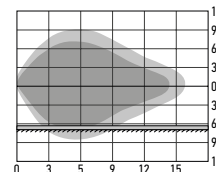


remote control
HD05R
(sold separately)

HD09VR-MH: Ceiling mounted



Wall mounted



- Highest mounting height is 49.2ft (15m)
 - This figure indicates the maximum distance at the highest mounting height with 100 % sensitivity.
- Well detected area
■ Possibly detected area

Installation precautions:

1. Microwave sensor can be installed in any lamp except one with a full metal shell.
2. The detected surface cannot be shielded by metal objects.
3. Make sure the microwave module is completely exposed.
4. The detection surface of the sensor module should be installed facing the detection area.

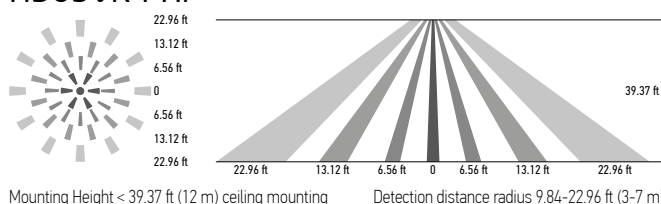
Application environment:

1. Suitable for indoor installation to avoid false triggering due to external factors such as rain, wind or tree movement.
2. Shall not be installed in a place with all metal walls or small spaces (such as galvanized-iron roof).
3. Shall be mounted securely, to avoid any false triggers caused by movement of the fixture itself.
4. Shall not be installed next to large operating machines such as a ventilator or ceiling fan, to avoid false triggers caused by machine vibration.

User notes:

1. Microwaves can penetrate walls or glass thinner than 0.8" but will be impaired if thicker than 0.8".
2. The driver voltage shall be stable and float within 10 %.
3. Detection area will be affected by speed of motion, mounting height and movement volume.
4. Conduct testing with adequate ambient lighting for best results.

HD09VR-PH:



Mounting Height < 39.37 ft (12 m) ceiling mounting Detection distance radius 9.84-22.96 ft (3-7 m)

Specifications	Model: HD09VR-PH	Model: HD09VR-MH
Operating voltage	10-15 V	
Operating current	< 15 mA	< 30 mA
Working mode	0-10 V	
Detection area	25 %/50 %/75 %/100 %	
Hold time	Remote control: 5 s/30 s/1 min/3 min/5 min/10 min/20 min/30 min	Rotating switch: 5 s/1 min/5 min/10 min
Daylight threshold	2 lux (0.2 fc)/10 lux (0.9 fc)/30 lux (2.8 fc)/50 lux (4.7 fc)/80 lux (7.4 fc)/120 lux (11.2 fc)/200 lux (18.6 fc)/250 lux (23.2 fc)/300 lux (27.9 fc)/350 lux (32.5 fc)/400 lux (37.2 fc)/disable	
Standby period	0 s/10 s/30 s/1 min/5 min/10 min/30 min/60 min/+ ∞	
Standby dimming level	Remote control: 10 %/20 %/30 %/50 %	Rotating switch: 0 %/10 %/30 %/50 %
Operating temperature	- 4°F to 140°F (-20°C to 60°C)	- 40°F to 158°F (-40°C to 70°C)
Mounting height	≤ 39 ft (12 m)	max 49.2 ft (15 m)
Detection range	≥ 9 ft (3 m)	
Operating frequency	-	5.8 GHz ± 75 GHz
Transmitting power	-	< 0.3 mW
IP rating	IP65	

DEFAULT SETTING:

Specifications	
Detection area	100 %
Hold time	20 min
Daylight threshold	Disable
Stand-by period	0 s
Stand-by dimming level	10 %

⚠ RF interference may affect the operation of this sensor.

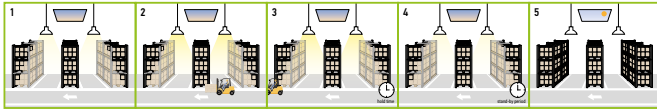
For most up-to-date spec sheets please refer to asd-lighting.com



LED UFO HIGH BAY WITH Q-BASE

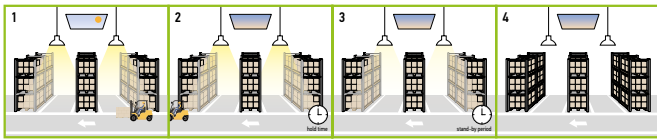
WITH DUSK/DAWN FUNCTION:

1. With insufficient ambient brightness, sensor turns on light and keeps it at standby dimming level even if there is no motion or presence.
2. When sensor detects motion or presence it will bring the light level up to 100%.
3. After motion is no longer detected, fixture remains at 100% for hold time.
4. After pre-set hold time period it will dim to standby dimming level again and always keep it.
5. With sufficient ambient brightness, sensor will turn OFF light automatically.



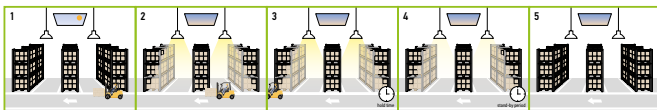
WITH DAYLIGHT DISABLED:

1. Sensor turns ON light when motion is detected.
2. Light will stay on after detecting motion for the desired hold time.
3. Sensor dims light to standby dimming level after hold time if there is still no motion.
4. Sensor turns OFF light after standby period.



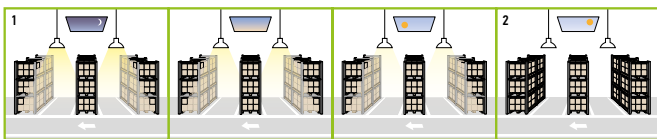
WITH DAYLIGHT THRESHOLD:

1. With sufficient daylight, the light remains OFF even after motion is detected.
2. With insufficient daylight, the sensor turns light ON when motion is detected.
3. After there's no motion detected, the sensor keeps light ON 100% for holdtime.
4. After holdtime, sensor dims light to standby dimming level for standby period. If the standby period has been set as 0 s, sensor turns light OFF automatically after holdtime.
5. The sensor turns OFF light automatically after the standby period when there's no motion detected.



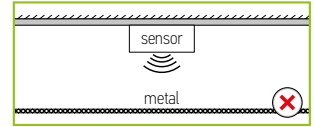
DAYLIGHT HARVESTING:

1. When ambient brightness is lower than preset lux level, sensor will turn on light automatically and keep dimming according to the change of the ambient brightness. When outside is getting darker, the fixtures will get brighter, and when outside is getting brighter, the fixtures will dim down.
2. Light OFF when ambient brightness becomes higher than the preset lux level.

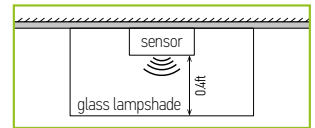


Only for HD09VR-MH and HD09VR-PH models.

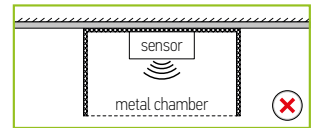
To avoid blocking the microwave emission, the microwave sensor can not be covered with metal materials, be sprayed with a coating of metal components, or have attached metal material or stickers etc.



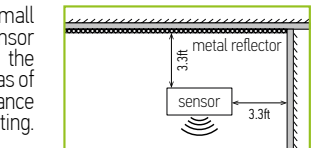
The distance between the antenna and the glass (dielectric material) should be no less than 0.4ft when the sensor is within the glass lampshade. Otherwise, the microwave motion sensor will not penetrate the glass easily.



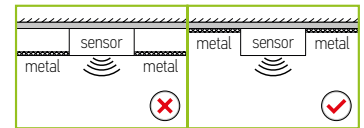
Avoid placing the sensor inside a metal chamber, this may cause a mis-trigger.



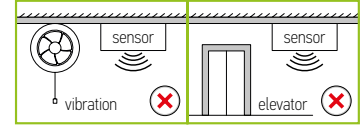
The sensor should not be placed in a small confined space. To avoid increasing the sensor detection range or abnormal operation, the sensor should be kept away from large areas of metal and glass reflectors (separation distance at least 3.3ft). Reduce the detection area setting.



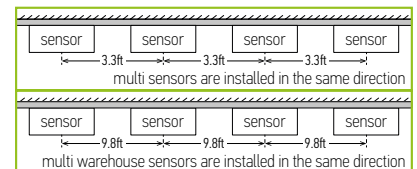
To avoid affecting the microwave signal transmission, the microwave antenna should be higher than the surrounding metal surface.



Any vibration or movement may trigger the sensor. Ensure the sensor is far from any constant movement.

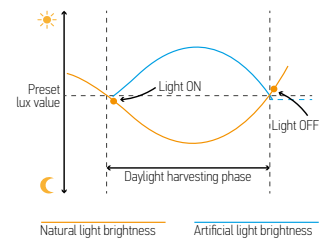


When multiple sensors are installed side-by-side in the same direction, the distance between each sensor should be kept at least 3.3ft (the warehouse sensors at least 9.8ft) to avoid mutual interference.



DAYLIGHT HARVESTING SETTING:

1. Adjust "daylight" value higher than 50lux.
2. Preset "standby period" 0S
3. Press MW/PIR button 3 times till MW/PIR icons both blinking on LCD screen, daylight harvesting function enabled. (With BLE version, press DH button, daylight harvesting function enabled).



For most up-to-date spec sheets please refer to asd-lighting.com



LED UFO HIGH BAY WITH Q-BASE

BATTERY BACK-UP KIT INFORMATION

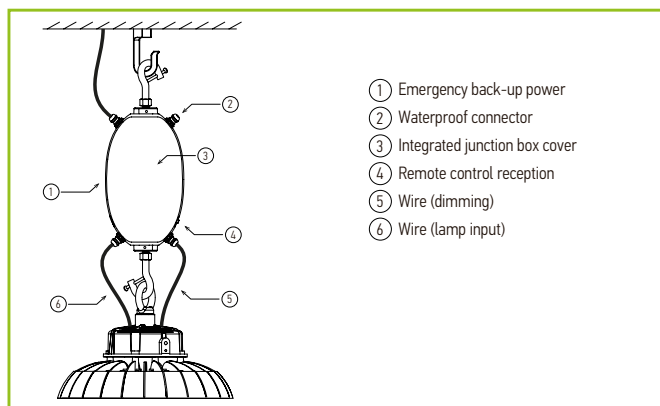
BLD-RM40R **BLD-RM60R** sold separately:

BLD-RM40R, BLD-RM60R listed for field and factory installation, provides constant power output to the load during emergency mode operation. They maintain illumination in emergency mode for a minimum of 90 minutes. It is an ideal emergency solution for UFO LED highbay lights.



- ▶ Universal input range
- ▶ Works with AC/DC Motion sensors
- ▶ Field and factory installation
- ▶ IP65 for dry, damp and wet location
- ▶ 40W & 90 mins durable emergency operating time
- ▶ Surge L-N: 3KV; L&N-PE: 3KV
- ▶ Protection: over-voltage, short-circuit, over-load, open-circuit
- ▶ Li-ion safety batteries
- ▶ Link to the input of LED drivers
- ▶ Remote test via handheld control
- ▶ Self-diagnostic every month and year
- ▶ 5-year warranty from manufacture date
- ▶ Remote control (sold separately)

For more information please see the cut sheet from the package.



- ① Emergency back-up power
- ② Waterproof connector
- ③ Integrated junction box cover
- ④ Remote control reception
- ⑤ Wire (dimming)
- ⑥ Wire (lamp input)

Specifications	Model: BLD-RM40R	Model: BLD-RM60R
Input voltage	100-347 V	
Input current	≤ 200 mA	
Input power	max 15W	
Standby input power	< 0.8W (finished charging)	
Maximum standby time between recharges	6 months	
Driver type	Constant power	
Output power (Emergency mode)	40W	60W
Output voltage range	≤ 170 Vdc	
Lumens	6,000 lm	
Maximum load power	300W (when dimming to a minimum, the power needs to be less than 36W)	
Peak output power (Emergency mode)	100W (lasts for 10 seconds)	
Number of output channels	1 channel	
RFI/EMI	FCC part 15 class B	
Output type	LED class 1	
Battery type	Li-ion	
Battery capacity available	2600 mAh (96 WH)	
Battery recharge time	24 hours	
Battery discharge time	90 min	
Maximum lighting fixture weight	44.1 lbs (20 kg)	
Self-diagnostic test system	<p>In the normal charging mode, the system performs a self-diagnostic test every 30 days, the system switches to emergency mode for 30S, and then automatically switches back to the normal charging mode.</p> <p>In the normal charging mode, the system switches to emergency mode every 360 days (after 11 Monthly self-diagnostic test) and works until the end of discharge. Automatically switches back to normal charging mode after discharge.</p>	
Ambient operating temperature range	-32°F to 122°F (0°C to 50°C)	
Service life	50,000 hours	
Input surge protection	2 kV	
Protections	Battery over discharge protection Output short circuit protection	
Approvals/class	RoHS, UL924 listed, CEC title 20 Dry, Wet Locations	

REMOTE TEST SWITCH

RN1 sold separately:

- ▶ Press the ON button to switch battery to the back-up mode. The indicator light will turn off and fixture will decrease light output.
- ▶ Press OFF to switch the fixture to normal operation mode.



For most up-to-date spec sheets please refer to asd-lighting.com

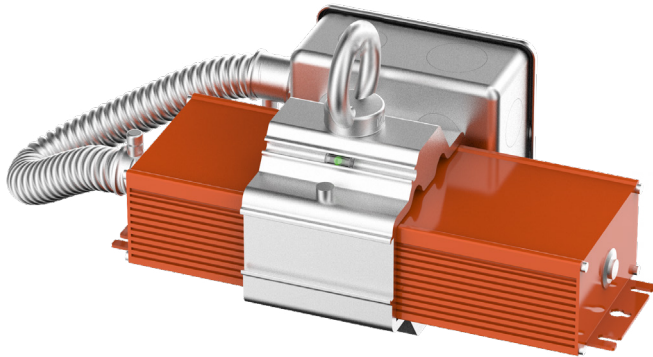


LED UFO HIGH BAY WITH Q-BASE

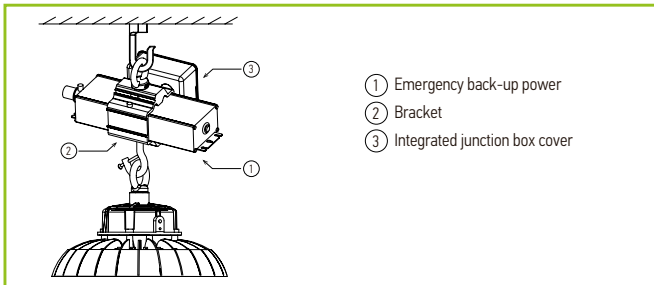
BATTERY BACK-UP KIT INFORMATION

BLD-GM60R-HV sold separately:

BLD-GM60R-HV, listed for field and factory installation, provides constant power output to the load during emergency mode operation. It maintains illumination in emergency mode for a minimum of 90 minutes. It is an ideal emergency solution for UFO LED highbay lights.



For more information please see the cut sheet from the package.



Specifications	
Input voltage	277-480 V 50/60 Hz
Input current	max 100 mA
Input power	max 20W
Standby input power	< 6W (finished charging)
Maximum standby time between recharges	6 months
Driver type	Constant power
Output power (Emergency mode)	60W
Output voltage range	400 Vdc
Lumens	6,000 lm
Maximum load power	300W (when dimming to a minimum, the power needs to be less than 36W)
Peak output power (Emergency mode)	65W
Number of output channels	1 channel
RFI/EMI	FCC part 15 class B
Output type	LED class 1
Battery type	Li-ion
Battery capacity available	4000 mAh (115 WH)
Battery recharge time	24 hours
Battery discharge time	90 min
Maximum lighting fixture weight	44.1 lbs (20 kg)
Self-diagnostic test system	In the normal charging mode, the system performs a self-diagnostic test every 30 days, the system switches to emergency mode for 30S, and then automatically switches back to the normal charging mode.
	In the normal charging mode, the system switches to emergency mode every 360 days (after 1 Monthly self-diagnostic test) and works until the end of discharge. Automatically switches back to normal charging mode after discharge.
Ambient operating temperature range	40°F to 122°F (5°C to 50°C)
Service life	50,000 hours
Input surge protection	2 kV
Protections	Battery over discharge protection
	Output short circuit protection
Approvals/class	CE RoHS, UL924 listed, CEC title 20
	Dry, Wet Locations



REMOTE TEST SWITCH

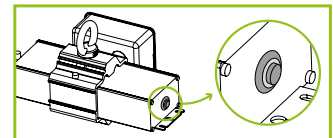
RN1 sold separately:

- ▶ Press the ON button to switch battery to the back-up mode. The indicator light will turn off and fixture will decrease light output.
- ▶ Press OFF to switch the fixture to normal operation mode.



STANDARD OPERATION DISPLAY STATUS:

Charging	
Emergency mode	



AC operation:

AC power is present. The AC driver operates the LED load as designed. The emergency driver is charging in standby mode. The charging indicator will be lit, showing that the battery is charging.

Emergency operation:

When the AC power goes out, the emergency driver detects the AC power outage and automatically switches to emergency mode. When red LED light is OFF, that means driver is discharging. When the AC power is restored, the emergency driver goes back to AC power and starts recharging.

For most up-to-date spec sheets please refer to asd-lighting.com



LED UFO HIGH BAY WITH Q-BASE

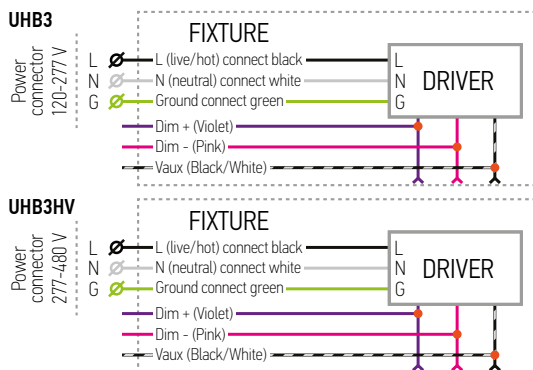
INSTALLATION GUIDE

IMPORTANT SAFETY INFORMATION:

Please read all the instructions below before installation.

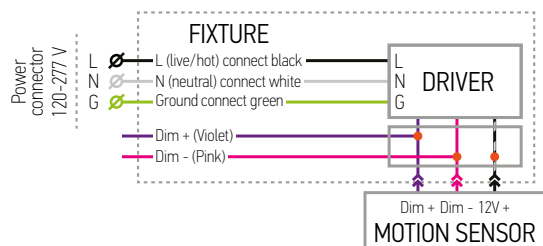
- ▶ Make sure that the supply voltage corresponds to the rated product voltage.
- ▶ The product must be installed by a qualified electrician in accordance with the National Electrical Code and corresponding local codes.
- ▶ If the product is damaged, do not use it.

ELECTRICAL SCHEMATIC DIAGRAM:



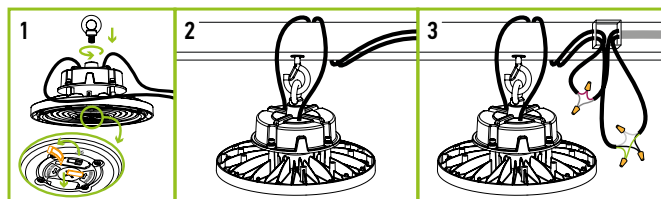
- Note:**
- ▶ The dimmer can also be replaced by an active 1-10 V voltage source signal or passive components like resistors and zener diodes.
 - ▶ Do NOT connect Dim - to be output V - or V +, the driver will not function properly.
 - ▶ If 1-10 V dimming is not used, Dim+ should be open.
 - ▶ When 1-10 V negative logic dimming mode and Dim + is open, the driver will output minimum current.

UHB3 with motion sensor



INSTALLATION STEPS:

1. Screw on the mounting ring (included) and tighten it. Open rubber caps on the middle of the lens, take off caps inside and adjust color temperature or/and power by simple switch.
2. Clip the fixture on the hook in the ceiling using the mounting ring.
3. Connect the wires: Black to Black, White to White, Green to Green. Secure the connection with wire nuts.



⚠ WARNING

RISK OF PERSONAL INJURY – READ and follow all WARNINGS and installation instructions. Keep or give to the owner for future reference.

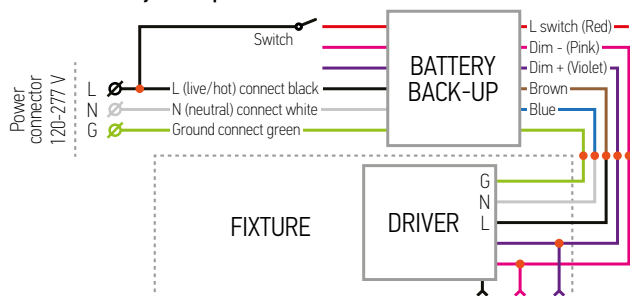
Risk of cuts: Wear gloves to prevent cuts or abrasions when removing from carton, handling, installing, and maintaining this product.

Risk of electric shock: This product must be installed in accordance with the applicable installation code by a person familiar with the construction and operation of the product and the hazards involved.

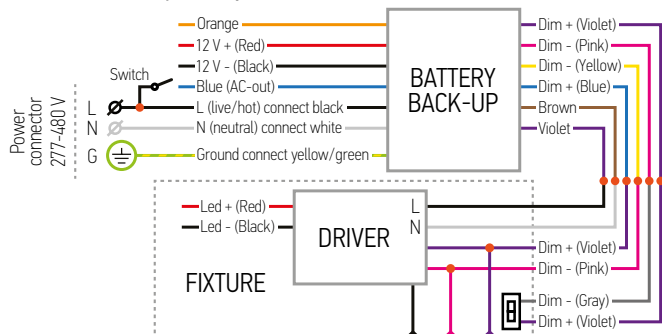
Risk of Fire: Minimum 194°F supply conductors. Consult a qualified electrician to ensure correct branch circuit conductor.

ASD® assumes no responsibility for claims arising out of improper or careless Installation or handling of this product.

UHB3 with battery back-up kit



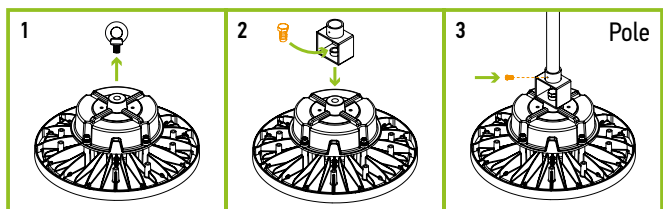
UHB3HV with battery back-up kit



PENDANT MOUNT BRACKET INSTALLATION

ASD-PMB-UHB sold separately:

1. Remove the original ring from the driver.
2. Install the bracket and secure it to the driver using a M10 or M12 screw (included with the bracket).
3. Screw the bracket with the fixture onto a pole and secure it with an M3 screw (included with the bracket).



For most up-to-date spec sheets please refer to asd-lighting.com

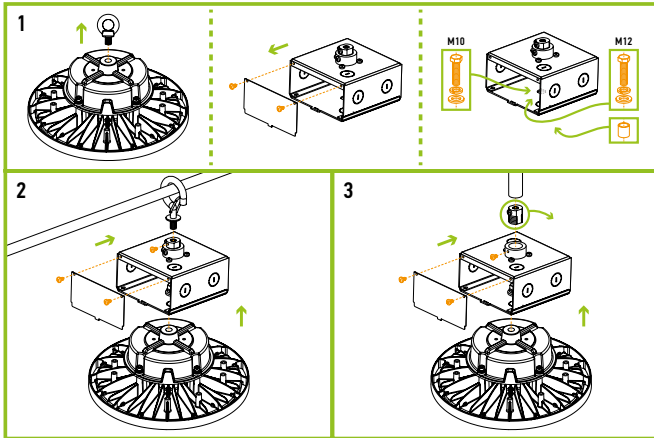


LED UFO HIGH BAY WITH Q-BASE

PENDANT MOUNT BRACKET WITH J-BOX AND SPRING HOOK INSTALLATION

ASD-PMBJB-UHB sold separately:

1. Uninstall the mounting ring from the fixture. Unscrew 2 screws and open the side plate on the Pendant Junction box. Install M10 or M12 Mounting screw depending of the fixture's thread size.
2. **Mounting hook installation:** Loosen security screw and install the spring hook into the upper installation hole of the Pendant J-box and secure it with screw. Secure Pendant J-box to the fixture, and then secure to the ceiling. Close and secure side plate back into place.
3. **Pendant installation:** Uninstall adapter from pole mounting hole. Secure the Pendant J-box and fixture to the pole. Secure fixture to the Pendant J-box. Close and secure side plate back into place.

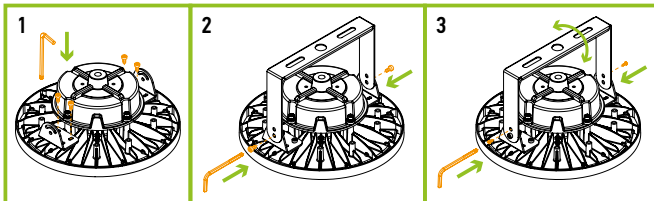


SURFACE MOUNT BRACKET INSTALLATION

ASD-SMB1-UHB3-WH **ASD-SMB1-UHB3-BK**

ASD-SMB2-UHB3-BK sold separately:

1. Use four M5x9/16" screws (included) to install bracket swivel on the top of the fixture's body.
2. Use two M6x5/8" screws (included) to secure bracket on the swivels.
3. Adjust the light direction and secure it using two M5x9/16" screws with screw-nuts (included).

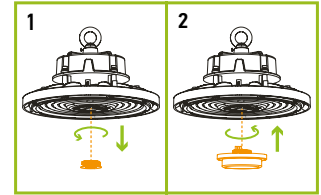


MOTION SENSOR INSTALLATION

HD09VR-MH **HD09VR-PH**

sold separately:

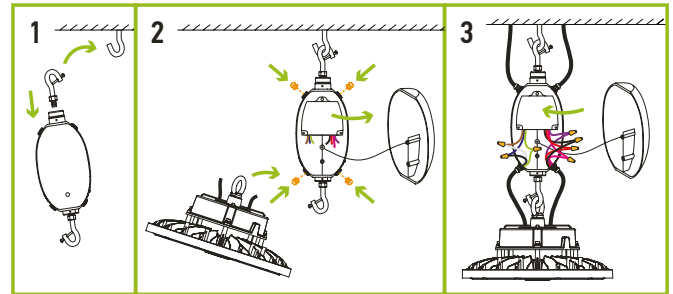
1. Unscrew the microwave sensor base cap.
2. Insert and twist the sensor until it is tight on the base surface.



BATTERY BACK-UP KIT INSTALLATION

BLD-RM40R **BLD-RM60R** sold separately:

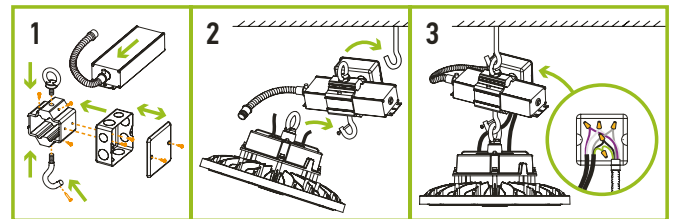
1. Install the G-hook to the top thread hole of the battery back-up and secure with the screw. Attach the battery back-up with G-hook to the ceiling hook.
2. Loosen the screw on the enclosed hook on the bottom of the emergency back-up, attach the ring on the fixture to the hook and tighten screw back. Open the cover and remove the plastic covers and install the five waterproof connectors.
3. Pull all wires through the waterproof connectors into the chamber of emergency driver. Connect wires: Brown, Blue, Green with AC input wires of the fixture. Connect dimming wires Purple and Pink with LED driver input dimming wires. Connect Black, White and Red wires of the battery back-up with AC main Power cord. Secure connection with wire nuts and lock up the cover of junction box.



BATTERY BACK-UP KIT INSTALLATION

BLD-GM60R-HV sold separately:

1. Insert battery back-up into the bracket and secure it with three screws. Attach junction box to the side of the bracket with two screws. Screw in mounting ring to the top and mounting hook to the bottom of the bracket. Secure them by 45° angle.
2. Attach bracket with battery to the ceiling using mounting ring; Attach lighting fixture to the mounting hook on the bottom of the bracket and secure it with screw.
3. Plug the fixture's power cable and circuit cable into the junction box. Wire according to the wiring diagram inside the junction box. Close junction box with cover and secure it with two screws.



For most up-to-date spec sheets please refer to asd-lighting.com



LED UFO HIGH BAY WITH Q-BASE

ORDERING INFORMATION

Model	UPC	Pcs. per carton	Carton size	Carton weight	GTIN 14
ASD-UHB3-100DAC-BK	810050738446	1	11" x 11" x 5.8"	6.6 lbs	-
ASD-UHB3-100ADAC-BK	810128111294	1	11" x 11" x 5.8"	6.6 lbs	-
ASD-UHB3-150DAC-BK	810050738453	1	11" x 11" x 5.8"	6.6 lbs	-
ASD-UHB3-150ADAC-WH	810128111300	1	11" x 11" x 5.8"	6.6 lbs	-
ASD-UHB3-150ADAC-BK	810128110433	1	11" x 11" x 5.8"	6.6 lbs	-
ASD-UHB3-200ADAC-WH	810128111317	1	13.4" x 13.4" x 6.2"	9 lbs	-
ASD-UHB3-200ADAC-BK	810050737371	1	13.4" x 13.4" x 6.2"	9 lbs	-
ASD-UHB3-240DAC-BK	810050738477	1	13.4" x 13.4" x 6.2"	9 lbs	-
ASD-UHB3-240ADAC-BK	810128111324	1	13.4" x 13.4" x 6.2"	9 lbs	-
ASD-UHB3-300DAC-BK	810128110204	1	13.4" x 13.4" x 7.3"	13 lbs	-
ASD-UHB3-300ADAC-BK	810128111782	1	13.4" x 13.4" x 7.3"	12.3 lbs	-
ASD-UHB3-400D50-BK	810050739924	1	18.7" x 18.7" x 8.4"	20.1 lbs	-
ASD-UHB3-500D50-BK	810050739931	1	18.7" x 18.7" x 8.4"	20.1 lbs	-
ASD-UHB3-500ADAC-BK	810128111096	1	18.7" x 18.7" x 8.4"	20.1 lbs	-
UHB3HV HIGH VOLTAGE					
ASD-UHB3HV-150D50-BK	810050739900	1	11" x 11" x 5.8"	7.3 lbs	-
ASD-UHB3HV-200D50-BK	810050739917	1	13.4" x 13.4" x 6.2"	11.5 lbs	-
ASD-UHB3HV-300ADAC-BK	810128110440	1	13.4" x 13.4" x 7.3"	13 lbs	-
ASD-UHB3HV-400D50-BK	810050739948	1	18.7" x 18.7" x 9.5"	25.2 lbs	-
ASD-UHB3HV-500D50-BK	810050739955	1	18.7" x 18.7" x 9.5"	25.2 lbs	-
ASD-UHB3HV-500ADAC-BK	810128111102	1	18.7" x 18.7" x 9.5"	25.1 lbs	-
HD09VR-MH	810128112284	120	15.8" x 11.8" x 9.3"	13.2 lbs	10810128112281
HD09VR-PH	810128112277	120	15.8" x 11.8" x 9.3"	13.2 lbs	10810128112274
HD05R	810050738767	78	15.8" x 11.8" x 9.3"	18.9 lbs	10810050738764

ACCESSORIES:

Model	Description	UPC	Pcs. per carton	Carton size	Carton weight	GTIN 14
ASD-H-M10	Spring hook M10	819201025312	50	12.6" x 7.7" x 6.9"	12.1 lbs	20819201025316
ASD-H-M12	Spring hook M12	810050730556	50	12.6" x 7.7" x 6.9"	17.6 lbs	10810050730553
ASD-HS-M10	Screw-bolt hook M10	810050731164	50	11.9" x 8.3" x 9.1"	12.6 lbs	10810050731161
ASD-PMB-UHB	Pendant mount bracket	810050731522	50	13.9" x 9.7" x 7.1"	33.7 lbs	10810050731529
ASD-PMBJB-UHB	Pendant mount bracket with J-box and spring hook	810050736992	20	17.2" x 11.3" x 11.2"	30.9 lbs	10810050736999
ASD-SMB1-UHB3-WH	Surface mount bracket white for 100-300W	810128111652	20	22.1" x 14.6" x 16.5"	32 lbs	10810128111659
ASD-SMB1-UHB3-BK	Surface mount bracket black for 100-300W	810050739818	20	22.1" x 14.6" x 16.5"	32 lbs	10810050739815
ASD-SMB2-UHB3-BK	Surface mount bracket black for 400-500W	810128110785	20	26" x 17.7" x 15.4"	59.5 lbs	10810128110782
BLD-RM40R	Battery back-up kit 40W	810050738507	4	23.6" x 13.8" x 7.9"	31.3 lbs	20810050738501
BLD-RM60R	Battery back-up kit 60W	810128112154	4	23.6" x 13.8" x 7.9"	37.7 lbs	10810128112151
BLD-GM60R-HV	Battery back-up kit 60W for 277-480V	810128112147	5	20.5" x 10.8" x 16.7"	41.9 lbs	10810128112144
RN1	Remote test switch for battery back-up kit	810050735223	20	5.9" x 8.5" x 4.5"	2.4 lbs	10810050735220

For most up-to-date spec sheets please refer to asd-lighting.com