



LED ROUND RECESSED MINI PANEL GIMBAL

► **DESIGN** - LED ROUND RECESSED MINI PANEL GIMBAL features a 25° swivel lens, making it perfect for sloped ceilings and directional lighting. It includes a J-box, plug-and-twist connector, and spring-loaded clips for quick installation. The acrylic lens with a 110° beam angle and CRI90+ ensures even, high-quality light. Designed for 120V circuits, it offers smooth triac dimming from 10% to 100%.

► **VARIETY** - Available in 3-inch, 4-inch, and 6-inch round shapes, this fixture comes in White and Black finishes to complement any design preference.

► **COLOR SELECTABLE** - Choose between 2700K soft white, 3000K warm white, 3500K neutral white, 4000K cool white, or 5000K daylight to find the ideal color temperature for your space.

► **DIMMING** - Smooth triac dimming capabilities from 10% to 100% with modern LED dimmers gives you full control over your space.

► **INSTALLATION** - This fixture is IC rated so there is no can or any other housing required. It is also Wet Locations rated for added versatility.

► **ADVANTAGES** - With a lifespan of 54,000 hours, these fixtures are made to last decades under normal operation! ASD provides a 5-year limited warranty along with UL certification to guarantee top quality products and safety!



Finish: White Black

PRODUCT PRESENTATION:

Model	Size	Power	Voltage	Dimming	Lumens	CCT	Finish	Dimensions	Airtight	Certification
ASD-JBR-GB-3D6AC-WH-6PACK	3 inch	6W	120V	TRIAC	463lm	2700/3000/3500/4000/5000K	White	3 15/16" x 3 15/16" x 1"	-	UL(E473854)
ASD-JBR-GBA-3D6AC-WH-6PACK	3 inch	6W	120V	TRIAC	463lm	2700/3000/3500/4000/5000K	White	3 15/16" x 3 15/16" x 1 1/2"	Yes	UL(E473854)
ASD-JBR-GBA-3D6AC-BK-6PACK	3 inch	6W	120V	TRIAC	463lm	2700/3000/3500/4000/5000K	Black	3 15/16" x 3 15/16" x 1 1/2"	Yes	UL(E473854)
ASD-JBR-GB-4D12AC-WH-6PACK	4 inch	12W	120V	TRIAC	842lm	2700/3000/3500/4000/5000K	White	5 1/8" x 5 1/8" x 1"	-	UL(E473854)
ASD-JBR-GBA-4D12AC-WH-6PACK	4 inch	12W	120V	TRIAC	842lm	2700/3000/3500/4000/5000K	White	5 1/8" x 5 1/8" x 1 11/16"	Yes	UL(E473854)
ASD-JBR-GBA-4D12AC-BK-6PACK	4 inch	12W	120V	TRIAC	842lm	2700/3000/3500/4000/5000K	Black	5 1/8" x 5 1/8" x 1 11/16"	Yes	UL(E473854)
ASD-JBR-GB-6D15AC-WH-6PACK	6 inch	15W	120V	TRIAC	1232lm	2700/3000/3500/4000/5000K	White	7 5/16" x 7 5/16" x 1 1/4"	-	UL(E473854)
ASD-JBR-GBA-6D15AC-WH-6PACK	6 inch	15W	120V	TRIAC	1232lm	2700/3000/3500/4000/5000K	White	7 5/16" x 7 5/16" x 1 7/8"	Yes	UL(E473854)
ASD-JBR-GBA-6D15AC-BK-6PACK	6 inch	15W	120V	TRIAC	1232lm	2700/3000/3500/4000/5000K	Black	7 5/16" x 7 5/16" x 1 7/8"	Yes	UL(E473854)

For most up-to-date spec sheets please refer to asd-lighting.com





LED ROUND RECESSED MINI PANEL GIMBAL

TECHNICAL PARAMETERS:

Model	Work environment	Operating temperature	Power factor	Surge protection	Housing	Lens	CRI
ASD-JBR-GB-3D6AC-WH-6PACK	Wet location	-4°F to 104°F (-20°C to 40°C)	>0,9	2kV	Aluminum	PC	>90
ASD-JBR-GBA-3D6AC-WH-6PACK	Wet location	-4°F to 104°F (-20°C to 40°C)	>0,9	2kV	Aluminum	PC	>90
ASD-JBR-GBA-3D6AC-BK-6PACK	Wet location	-4°F to 104°F (-20°C to 40°C)	>0,9	2kV	Aluminum	PC	>90
ASD-JBR-GB-4D12AC-WH-6PACK	Wet location	-4°F to 104°F (-20°C to 40°C)	>0,9	2kV	Aluminum	PC	>90
ASD-JBR-GBA-4D12AC-WH-6PACK	Wet location	-4°F to 104°F (-20°C to 40°C)	>0,9	2kV	Aluminum	PC	>90
ASD-JBR-GBA-4D12AC-BK-6PACK	Wet location	-4°F to 104°F (-20°C to 40°C)	>0,9	2kV	Aluminum	PC	>90
ASD-JBR-GB-6D15AC-WH-6PACK	Wet location	-4°F to 104°F (-20°C to 40°C)	>0,9	2kV	Aluminum	PC	>90
ASD-JBR-GBA-6D15AC-WH-6PACK	Wet location	-4°F to 104°F (-20°C to 40°C)	>0,9	2kV	Aluminum	PC	>90
ASD-JBR-GBA-6D15AC-BK-6PACK	Wet location	-4°F to 104°F (-20°C to 40°C)	>0,9	2kV	Aluminum	PC	>90

DIMMING COMPATIBLE CONTROLS:

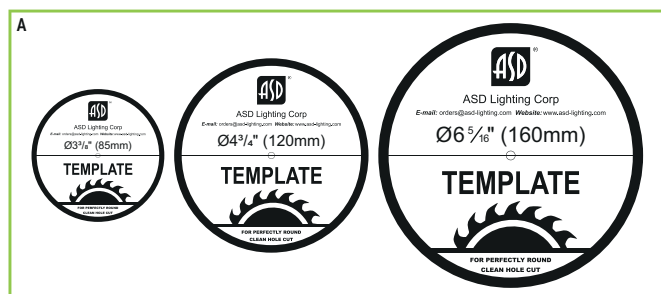
Brand	Lutron		Leviton
Models	CTCL-153PDH-WH	S-600PR-WH	DB33K1
	DVW-603PGH-WH	CTCL-153P	1A2305
	MIR-600THW-WH	DV-600P	1F4205
	MACL-153M-WH	NT-1000	6633-P
	CT-603PGH-WH	S-603P	VP106
	DVCL-153P-WH	S-600P	IPL06
	SLV-600P-WH	4X603	6683
			6674
			6672

DIMENSIONS JUNCTION BOX:

Fixture	Junction box
3 inch	3-3/4" x 2-5/16" x 1-1/4" (95mm x 59mm x 32mm)
4, 6 inch	4-8/16" x 2-11/16" x 1-3/8" (115mm x 68mm x 35mm)

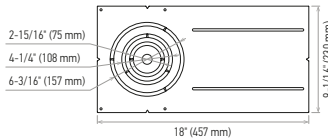
PACKAGE CONTENTS:

Description	Quantity
LED Round Recessed Mini Panel Gimbal	6
Template for 3, 4 or 6 inch (A)	1
Box	1

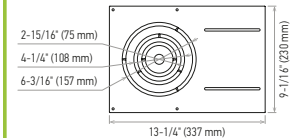


ACCESSORIES (sold separately):

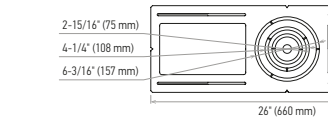
New construction flat mounting plate 18" with asymmetric round holes 3-4-6"
ASD-MPLR-346-FA



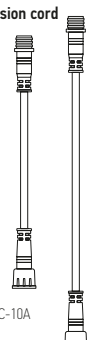
New construction flat mounting plate with asymmetric round holes 3-4-6"
ASD-MPLR-346-FA



New construction flat mounting plate with symmetric round holes 3-4-6"
ASD-MPLR-346-FS



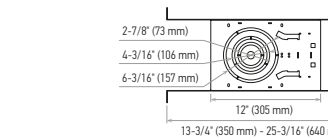
Extension cord 3PIN



10"
ASD-EC-10A

20"
ASD-EC-20A

New construction mounting plate with round holes and sliding clips 3-4-6"
ASD-MPLR-346-SC



ACCESSORY COMPATIBILITY LIST:

Model	Accessories					
	New construction flat mounting plate with asymmetric round holes 3-4-6" ASD-MPLR-346-FA	New construction flat mounting plate 18" with asymmetric round holes 3-4-6" ASD-MPLR-346-FA	New construction flat mounting plate with symmetric round holes 3-4-6" ASD-MPLR-346-FS	New construction mounting plate with round holes and sliding clips 3-4-6" ASD-MPLR-346-SC	Extension cord 3PIN ASD-EC-10A ASD-EC-20A	
ASD-JBR-GB/ ASD-JBR-GBA	3"	•	•	•	•	•
	4"	•	•	•	•	•
	6"	•	•	•	•	•

For most up-to-date spec sheets please refer to asd-lighting.com



LED ROUND RECESSED MINI PANEL GIMBAL

INSTALLATION GUIDE

IMPORTANT SAFETY INFORMATION:

Please read all the instructions below before installation!

- ▶ Make sure that the supply voltage corresponds to the rated product voltage.
- ▶ The product must be installed by a qualified electrician in accordance with the National Electrical Code and corresponding local codes.
- ▶ If the product is damaged, do not use it.

⚠ WARNING

Risk of personal injury – read and follow all warnings and installation instructions. Keep or give to the owner for future reference.

Risk of cuts: Wear gloves to prevent cuts or abrasions when removing from carton, handling, installing, and maintaining this product.

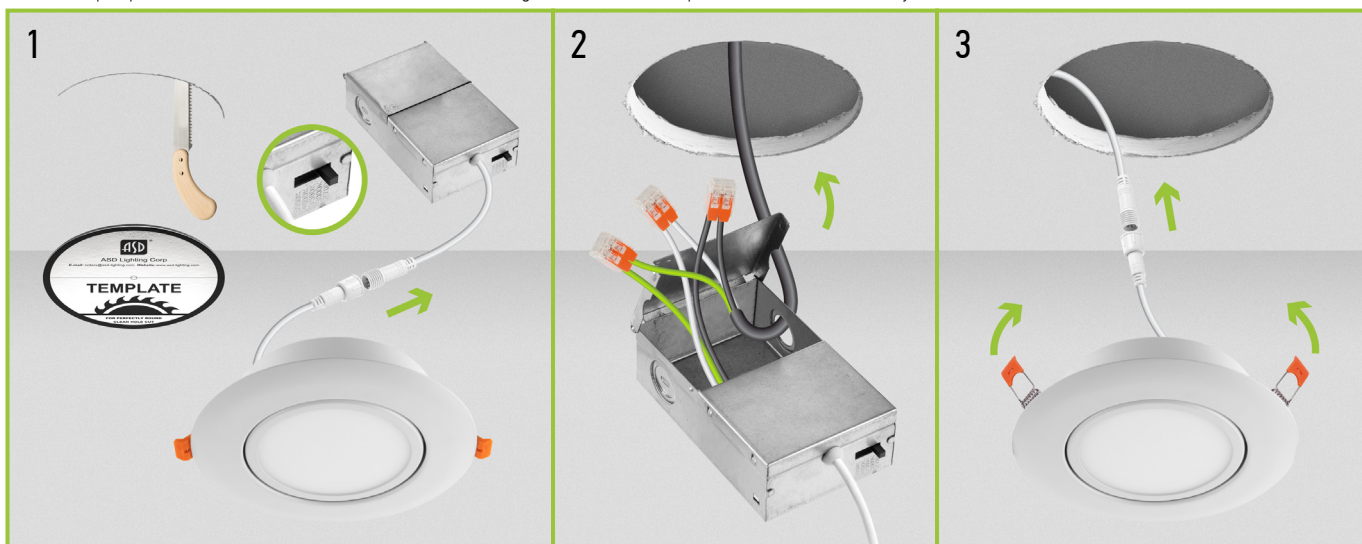
Risk of electric shock: This product must be installed in accordance with the applicable installation code by a person familiar with the construction and operation of the product and the hazards involved.

Risk of Fire: Minimum 194°F supply conductors. Consult a qualified electrician to ensure correct branch circuit conductor.

ASD® assumes no responsibility for claims arising out of improper or careless installation or handling of this product.

INSTALLATION STEPS:

1. Use template to cut an appropriate sized hole. Disconnect the fixture from the junction box. Choose needed color temperature by adjusting the switch. Close the junction box.
2. Open junction box. Connect the wires: Black to Black, White to White, Copper to Green. Secure the connection with quick connector.
3. Insert the junction box into the cut hole, leaving the connection cable outside. Connect the fixture to the Junction box inserting the cable and securing it with a cap. Push the spring loaded clips upwards and insert the fixture base into the mounting hole. Release the clips, so the fixture fits securely.

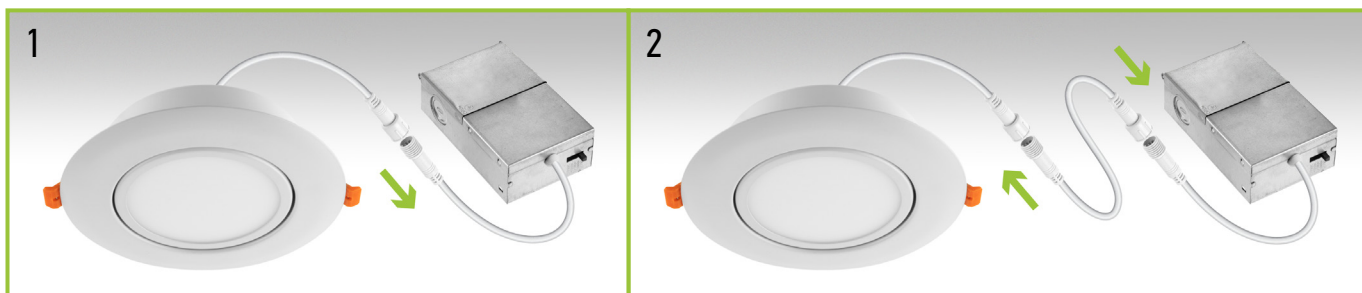


* The fixture is suitable for ceiling thickness less than 0.7 inch.

EXTENSION CORD INSTALLATION:

ASD-EC-10A **ASD-EC-20A** sold separately

1. Disconnect the LED Mini Panel cable from the Junction box cable.
2. Connect one end of the Extension Cord to the LED Mini Panel cable, and the other end of the Extension Cord to the Junction box cable.



For most up-to-date spec sheets please refer to asd-lighting.com





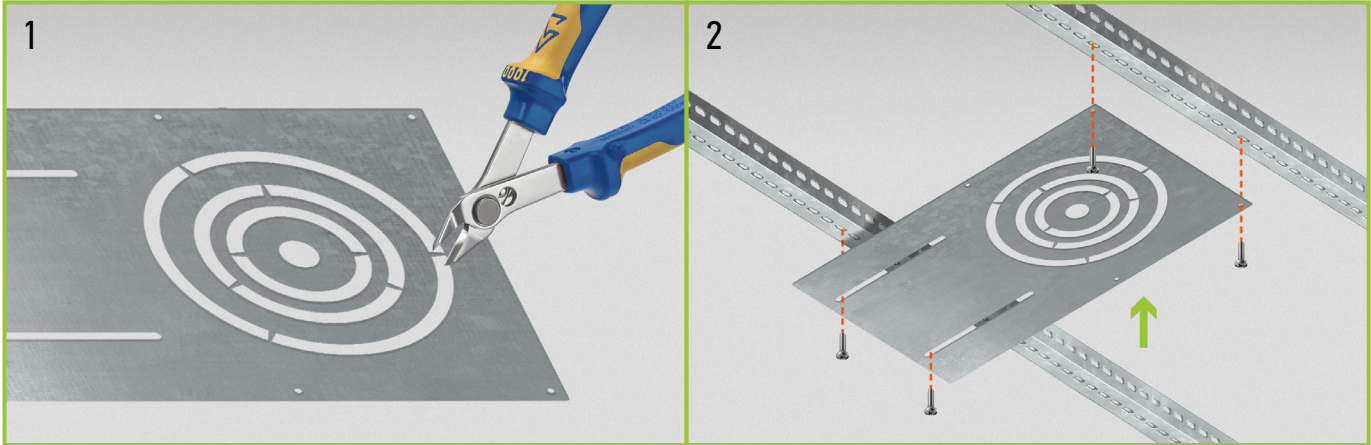
LED ROUND RECESSED MINI PANEL GIMBAL

MOUNTING PLATE INSTALLATION:

ASD-MPLR-346-FA ASD-MPLR18-346-FA ASD-MPLR-346-FS ASD-MPLR-346-SC sold separately

sold separately

1. Remove the metal ring from the mounting plate according to the size of fixture.
2. Place the mounting plate and secure its position with screws on the beams.



ORDERING INFORMATION

Model	Product dimensions	Weight	Pcs. (pack) per carton	Carton size	Carton weight	UPC	GTIN 14
ASD-JBR-GB-3D6AC-WH-6PACK	3 15/16" x 3 15/16" x 1"	3.9 lbs (1.8 kg)	12 (2)	17.13" x 9.84" x 5.31"	9.5 lbs	81005073861	10810050738610
ASD-JBR-GBA-3D6AC-WH-6PACK	3 15/16" x 3 15/16" x 1 1/2"	4.5 lbs (2 kg)	12 (2)	17.91" x 11.02" x 5.51"	11.0 lbs	81012811058	10810128110584
ASD-JBR-GBA-3D6AC-BK-6PACK	3 15/16" x 3 15/16" x 1 1/2"	4.5 lbs (2 kg)	12 (2)	17.91" x 11.02" x 5.51"	11.0 lbs	81005073938	10810050739389
ASD-JBR-GB-4D12AC-WH-6PACK	5 1/8" x 5 1/8" x 1"	4.2 lbs (1.9 kg)	12 (2)	19.09" x 11.81" x 6.50"	10.6 lbs	81005073862	10810050738627
ASD-JBR-GBA-4D12AC-WH-6PACK	5 1/8" x 5 1/8" x 1 11/16"	6.8 lbs (3.1 kg)	12 (2)	12.40" x 12.40" x 11.61"	16.5 lbs	81012811060	10810128110607
ASD-JBR-GBA-4D12AC-BK-6PACK	5 1/8" x 5 1/8" x 1 11/16"	6.8 lbs (3.1 kg)	12 (2)	12.40" x 12.40" x 11.60"	16.5 lbs	81005073940	10810050739402
ASD-JBR-GB-6D15AC-WH-6PACK	7 5/16" x 7 5/16" x 1 1/4"	7.7 lbs (3.5 kg)	12 (2)	16.73" x 12.60" x 8.86"	17.9 lbs	81005073863	10810050738634
ASD-JBR-GBA-6D15AC-WH-6PACK	7 5/16" x 7 5/16" x 1 7/8"	10.1 lbs (4.6 kg)	12 (2)	18.90" x 16.54" x 8.86"	23.1 lbs	81012811062	10810128110621
ASD-JBR-GBA-6D15AC-BK-6PACK	7 5/16" x 7 5/16" x 1 7/8"	10.1 lbs (4.6 kg)	12 (2)	18.90" x 16.54" x 8.86"	23.1 lbs	81005073942	10810050739426

ACCESSORIES:

Model	Product dimensions	Pcs. (pack) per carton	Carton size	Carton weight	UPC	GTIN 14
ASD-MPLR-346-FA-6PACK	13 1/4" x 9 1/16" x 1/16"	24 (4)	14.4" x 9.8" x 3.2"	18.1 lbs	810050739344	10810050739341
ASD-MPLR18-346-FA-6PACK	18" x 9 1/16" x 1/16"	24 (4)	18.9" x 9.8" x 3.2"	32.9 lbs	810128112826	10810128112823
ASD-MPLR-346-FS-6PACK	26" x 8 1/4" x 1/16"	24 (4)	27" x 9.1" x 3.2"	21 lbs	810050739351	10810050739358
ASD-MPLR-346-SC-6PACK	14 3/8" x 10 9/16" x 1 5/8"	12 (2)	17.3" x 11.9" x 13.4"	17 lbs	810050739337	10810050739334
ASD-EC-10A-6PACK	-	60 (10)	7.7" x 6.1" x 5.3"	1.8 lbs	810128110471	10810128110478
ASD-EC-20A-6PACK	-	60 (10)	7.7" x 6.1" x 5.3"	3.1 lbs	810128110488	10810128110485

For most up-to-date spec sheets please refer to asd-lighting.com

ASD LIGHTING CORP

E-mail: orders@asd-lighting.com | Web site: www.asd-lighting.com

