



LED AREA LIGHT

► **DESIGN** - LED AREA LIGHT has a die-cast aluminum housing with excellent heat dissipation and anti-glare PC type III-M lens with even light distribution. It is designed to operate on 120-277V or 277-480V circuits with a 1-10V dimmable driver.

► 3G vibration rated, withstands conditions with repeated vibration, making it conform to standards for roadway.

► Surge protection 10kV protects the fixture from voltage spikes and current surges.

► **INSTALLATION** - This fixture is Wet locations rated and can be pole, post, or wall mounted using the slip fitter bracket, arm bracket, floodlight bracket, or full trunnion bracket. It comes with 4 ft cord. Perfect commercial or industrial solution for roadway lighting, highway lighting, sport lighting, parks, parking lots, backyards, and many other applications.

► **ADVANTAGES** - With calculated lifespan up to 163,000 hours, these fixtures are made to last decades under normal operation! ASD provides a 5-year limited warranty along with UL and DLC Premium certifications to guarantee top quality products and safety!

| | |
|----------------|--|
| Catalog number | |
| Notes | |
| Type | |



| | | |
|---------|--------|--------|
| Finish: | White | Bronze |
| | Silver | Black |

| Model | Watts | Voltage | Dimmable | Lumens | CCT | Finish | Dimensions (LxWxH) | Cord | Bracket |
|-------------------------------|-------|-----------|----------|-----------|---------|--------|---------------------------------|------|-------------|
| ASD-LSB2-60D50W-PRM | 60W | 120-277 V | 1-10 V | 8,520 lm | 5,000 K | White | 16-15/16" x 11-15/16" x 4-1/16" | 4 ft | - |
| ASD-LSB2-60D50B-PRM | 60W | 120-277 V | 1-10 V | 8,520 lm | 5,000 K | Bronze | 16-15/16" x 11-15/16" x 4-1/16" | 4 ft | - |
| ASD-LSB2-100D40B-PRM | 100W | 120-277 V | 1-10 V | 13,200 lm | 4,000 K | Bronze | 16-15/16" x 11-15/16" x 4-1/16" | 4 ft | - |
| ASD-LSB2-100D50B-PRM | 100W | 120-277 V | 1-10 V | 13,400 lm | 5,000 K | Bronze | 16-15/16" x 11-15/16" x 4-1/16" | 4 ft | - |
| ASD-LSB2-100D50B-SF | 100W | 120-277 V | 1-10 V | 13,400 lm | 5,000 K | Bronze | 25-1/4" x 11-15/16" x 4-1/16" | 4 ft | Slip fitter |
| ASD-LSB2-100D50B-AR | 100W | 120-277 V | 1-10 V | 13,400 lm | 5,000 K | Bronze | 23-1/8" x 11-15/16" x 5-7/16" | 4 ft | Arm |
| ASD-LSB2-150D30B-PRM | 150W | 120-277 V | 1-10 V | 19,500 lm | 3,000 K | Bronze | 16-15/16" x 11-15/16" x 4-1/16" | 4 ft | - |
| ASD-LSB2-150D40B-PRM | 150W | 120-277 V | 1-10 V | 19,650 lm | 4,000 K | Bronze | 16-15/16" x 11-15/16" x 4-1/16" | 4 ft | - |
| ASD-LSB2-150D50W-PRM | 150W | 120-277 V | 1-10 V | 19,800 lm | 5,000 K | White | 16-15/16" x 11-15/16" x 4-1/16" | 4 ft | - |
| ASD-LSB2-150D50-SL | 150W | 120-277 V | 1-10 V | 19,800 lm | 5,000 K | Silver | 16-15/16" x 11-15/16" x 4-1/16" | 4 ft | - |
| ASD-LSB2-150D50B-PRM | 150W | 120-277 V | 1-10 V | 19,800 lm | 5,000 K | Bronze | 16-15/16" x 11-15/16" x 4-1/16" | 4 ft | - |
| ASD-LSB2-150D50-BK | 150W | 120-277 V | 1-10 V | 19,800 lm | 5,000 K | Black | 16-15/16" x 11-15/16" x 4-1/16" | 4 ft | - |
| ASD-LSB2-150D50B-SF | 150W | 120-277 V | 1-10 V | 19,800 lm | 5,000 K | Bronze | 25-1/4" x 11-15/16" x 4-1/16" | 4 ft | Slip fitter |
| ASD-LSB2-150D50B-AR | 150W | 120-277 V | 1-10 V | 19,800 lm | 5,000 K | Bronze | 23-1/8" x 11-15/16" x 5-7/16" | 4 ft | Arm |
| ASD-LSB2-185D30B-PRM | 185W | 120-277 V | 1-10 V | 24,050 lm | 3,000 K | Bronze | 16-15/16" x 11-15/16" x 4-1/16" | 4 ft | - |
| ASD-LSB2-185D50W-PRM | 185W | 120-277 V | 1-10 V | 24,420 lm | 5,000 K | White | 16-15/16" x 11-15/16" x 4-1/16" | 4 ft | - |
| ASD-LSB2-185D50B-PRM | 185W | 120-277 V | 1-10 V | 24,420 lm | 5,000 K | Bronze | 16-15/16" x 11-15/16" x 4-1/16" | 4 ft | - |
| ASD-LSB2-185D50B-SF | 185W | 120-277 V | 1-10 V | 24,420 lm | 5,000 K | Bronze | 25-1/4" x 11-15/16" x 4-1/16" | 4 ft | Slip fitter |
| ASD-LSB2-185D50B-AR | 185W | 120-277 V | 1-10 V | 24,420 lm | 5,000 K | Bronze | 23-1/8" x 11-15/16" x 5-7/16" | 4 ft | Arm |
| ASD-LSB2-240D50B-PRM | 240W | 120-277 V | 1-10 V | 31,680 lm | 5,000 K | Bronze | 23-1/2" x 11-15/16" x 4-1/16" | 4 ft | - |
| ASD-LSB2-240D50B-SF | 240W | 120-277 V | 1-10 V | 31,680 lm | 5,000 K | Bronze | 31-7/8" x 11-15/16" x 4-1/16" | 4 ft | Slip fitter |
| ASD-LSB2-240D50B-AR | 240W | 120-277 V | 1-10 V | 31,680 lm | 5,000 K | Bronze | 29-11/16" x 11-15/16" x 5-3/8" | 4 ft | Arm |
| ASD-LSB2-300D40B-PRM | 300W | 120-277 V | 1-10 V | 39,600 lm | 4,000 K | Bronze | 23-1/2" x 11-15/16" x 4-1/16" | 4 ft | - |
| ASD-LSB2-300D50W-PRM | 300W | 120-277 V | 1-10 V | 40,200 lm | 5,000 K | White | 23-1/2" x 11-15/16" x 4-1/16" | 4 ft | - |
| ASD-LSB2-300D50-SL | 300W | 120-277 V | 1-10 V | 40,200 lm | 5,000 K | Silver | 23-1/2" x 11-15/16" x 4-1/16" | 4 ft | - |
| ASD-LSB2-300D50B-PRM | 300W | 120-277 V | 1-10 V | 40,200 lm | 5,000 K | Bronze | 23-1/2" x 11-15/16" x 4-1/16" | 4 ft | - |
| ASD-LSB2-300D50-BK | 300W | 120-277 V | 1-10 V | 40,200 lm | 5,000 K | Black | 23-1/2" x 11-15/16" x 4-1/16" | 4 ft | - |
| ASD-LSB2-300D50B-SF | 300W | 120-277 V | 1-10 V | 40,200 lm | 5,000 K | Bronze | 31-7/8" x 11-15/16" x 4-1/16" | 4 ft | Slip fitter |
| ASD-LSB2-300D50B-AR | 300W | 120-277 V | 1-10 V | 40,200 lm | 5,000 K | Bronze | 29-11/16" x 11-15/16" x 5-3/8" | 4 ft | Arm |
| ASD-LSB2-400D50B-PRM | 400W | 120-277 V | 0-10 V | 66,977 lm | 5,000 K | Bronze | 30-1/4" x 13-3/8" x 4-5/8" | 4 ft | - |
| ASD-LSB2-500D50B-PRM | 500W | 120-277 V | 0-10 V | 81,773 lm | 5,000 K | Bronze | 30-1/4" x 13-3/8" x 4-5/8" | 4 ft | - |
| LSB2-PC WITH PHOTOCELL | | | | | | | | | |
| ASD-LSB2-100D50B-PC-PRM-SF | 100W | 120-277 V | 1-10 V | 13,277 lm | 5,000 K | Bronze | 25-3/16" x 11-7/8" x 7-1/4" | 3 ft | Slip fitter |
| LSB2HV HIGH VOLTAGE | | | | | | | | | |
| ASD-LSB2HV-100D50B-PRM | 100W | 277-480 V | 0-10 V | 13,400 lm | 5,000 K | Bronze | 16-15/16" x 11-15/16" x 4-1/16" | 4 ft | - |
| ASD-LSB2HV-150D50W-PRM | 150W | 277-480 V | 0-10 V | 19,800 lm | 5,000 K | White | 16-15/16" x 11-15/16" x 4-1/16" | 4 ft | - |
| ASD-LSB2HV-150D50B-PRM | 150W | 277-480 V | 0-10 V | 19,800 lm | 5,000 K | Bronze | 16-15/16" x 11-15/16" x 4-1/16" | 4 ft | - |
| ASD-LSB2HV-185D50B-PRM | 185W | 277-480 V | 0-10 V | 24,420 lm | 5,000 K | Bronze | 16-15/16" x 11-15/16" x 4-1/16" | 4 ft | - |
| ASD-LSB2HV-240D50B-PRM | 240W | 277-480 V | 0-10 V | 31,680 lm | 5,000 K | Bronze | 23-1/2" x 11-15/16" x 4-1/16" | 4 ft | - |
| ASD-LSB2HV-300D50W-PRM | 300W | 277-480 V | 0-10 V | 40,200 lm | 5,000 K | White | 23-1/2" x 11-15/16" x 4-1/16" | 4 ft | - |
| ASD-LSB2HV-300D50B-PRM | 300W | 277-480 V | 0-10 V | 40,200 lm | 5,000 K | Bronze | 23-1/2" x 11-15/16" x 4-1/16" | 4 ft | - |
| ASD-LSB2HV-400D50B-PRM | 400W | 277-480 V | 0-10 V | 67,721 lm | 5,000 K | Bronze | 30-1/4" x 13-3/8" x 4-5/8" | 4 ft | - |
| ASD-LSB2HV-500D50B-PRM | 500W | 277-480 V | 0-10 V | 83,403 lm | 5,000 K | Bronze | 30-1/4" x 13-3/8" x 4-5/8" | 4 ft | - |

For most up-to-date spec sheets please refer to asd-lighting.com





LED AREA LIGHT







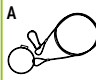
PRODUCT SPECIFICATIONS:

| Construction & Materials | | | | | | |
|------------------------------|---|----------------------|----------------------------|----------------------------|----------------------------|--------------------|
| Housing | Aluminum | | | | | |
| Lens | PC (60/100/150/185W - 1 lens, 240/300W - 2 lens, 400/500W - 3 lens) | | | | | |
| Finish | White, Silver, Bronze, Black | | | | | |
| Weight | ASD-LSB2-60D50W-PRM | 8.1 lbs (3.7 kg) | ASD-LSB2-185D30B-PRM | 9 lbs (4.1 kg) | ASD-LSB2-300D50B-SF | 19.9 lbs (9 kg) |
| | ASD-LSB2-60D50B-PRM | | ASD-LSB2-185D50W-PRM | | ASD-LSB2-300D50B-AR | 18.4 lbs (8.3 kg) |
| | ASD-LSB2-100D40B-PRM | 8.8 lbs (4 kg) | ASD-LSB2-185D50B-PRM | 12.3 lbs (5.6 kg) | ASD-LSB2-400D50B-PRM | 24.3 lbs (11 kg) |
| | ASD-LSB2-100D50B-PRM | | ASD-LSB2-185D50B-SF | | ASD-LSB2-500D50B-PRM | |
| | ASD-LSB2-100D50B-SF | 12.2 lbs (5.5 kg) | ASD-LSB2-185D50B-AR | 10.8 lbs (4.9 kg) | ASD-LSB2-100D50B-PC-PRM-SF | 13 lbs (5.9 kg) |
| | ASD-LSB2-100D50B-AR | 10.6 lbs (4.8 kg) | ASD-LSB2-240D50B-PRM | 15.5 lbs (7 kg) | ASD-LSB2HV-100D50B-PRM | |
| | ASD-LSB2-150D30B-PRM | 9 lbs (4.1 kg) | ASD-LSB2-240D50B-SF | 18.8 lbs (8.5 kg) | ASD-LSB2HV-150D50W-PRM | 9 lbs (4.1 kg) |
| | ASD-LSB2-150D40B-PRM | | ASD-LSB2-240D50B-AR | 17.3 lbs (7.8 kg) | ASD-LSB2HV-150D50B-PRM | |
| | ASD-LSB2-150D50W-PRM | | ASD-LSB2-300D40B-PRM | 16.6 lbs (7.5 kg) | ASD-LSB2HV-185D50B-PRM | |
| | ASD-LSB2-150D50B-SL | | ASD-LSB2-300D50W-PRM | | ASD-LSB2HV-240D50B-PRM | 15.5 lbs (7 kg) |
| | ASD-LSB2-150D50B-PRM | | ASD-LSB2-300D50-SL | ASD-LSB2HV-300D50W-PRM | 16.6 lbs (7.5 kg) | |
| | ASD-LSB2-150D50B-BK | | ASD-LSB2-300D50B-PRM | ASD-LSB2HV-300D50B-PRM | 16.6 lbs (7.5 kg) | |
| | ASD-LSB2-150D50B-SF | 12.3 lbs (5.6 kg) | ASD-LSB2-300D50-BK | 16.6 lbs (7.5 kg) | ASD-LSB2HV-400D50B-PRM | 25.3 lbs (11.5 kg) |
| | ASD-LSB2-150D50B-AR | 10.8 lbs (4.9 kg) | | | ASD-LSB2HV-500D50B-PRM | |
| Environmental system | | | | | | |
| Work environment | Suitable for Wet Locations, IP66 | | | | | |
| Operating temperature | -40°F to 140°F (-40°C to 60°C) for ASD-LSB2-400D50B-PRM, ASD-LSB2-500D50B-PRM, ASD-LSB2-100D50B-PC-PRM-SF, ASD-LSB2HV-400D50B-PRM, ASD-LSB2HV-500D50B-PRM models: -40°F to 122°F (-40°C to 50°C) | | | | | |
| L-70 Life | R > 72,000 hrs; C > 146,000 hrs for ASD-LSB2-400D50B-PRM, ASD-LSB2-500D50B-PRM, ASD-LSB2-100D50B-PC-PRM-SF, ASD-LSB2HV-400D50B-PRM, ASD-LSB2HV-500D50B-PRM models: R > 54,000 hrs; C > 163,000 hrs | | | | | |
| Optical system | | | | | | |
| Luminous flux | ASD-LSB2-60D50W-PRM | 8,520 lm | ASD-LSB2-185D30B-PRM | 24,050 lm | ASD-LSB2-300D50B-SF | 40,200 lm |
| | ASD-LSB2-60D50B-PRM | | ASD-LSB2-185D50W-PRM | | ASD-LSB2-300D50B-AR | |
| | ASD-LSB2-100D40B-PRM | 13,200 lm | ASD-LSB2-185D50B-PRM | 24,420 lm | ASD-LSB2-400D50B-PRM | 66,097 lm |
| | ASD-LSB2-100D50B-PRM | 13,400 lm | ASD-LSB2-185D50B-SF | | ASD-LSB2-500D50B-PRM | 81,773 lm |
| | ASD-LSB2-100D50B-SF | | ASD-LSB2-185D50B-AR | ASD-LSB2-100D50B-PC-PRM-SF | 13,277 lm | |
| | ASD-LSB2-100D50B-AR | ASD-LSB2-240D50B-PRM | ASD-LSB2HV-100D50B-PRM | 13,400 lm | | |
| | ASD-LSB2-150D30B-PRM | 19,500 lm | ASD-LSB2-240D50B-SF | 31,680 lm | ASD-LSB2HV-150D50W-PRM | 19,800 lm |
| | ASD-LSB2-150D40B-PRM | 19,650 lm | ASD-LSB2-240D50B-AR | 39,600 lm | ASD-LSB2HV-150D50B-PRM | |
| | ASD-LSB2-150D50W-PRM | 19,800 lm | ASD-LSB2-300D40B-PRM | | ASD-LSB2HV-185D50B-PRM | 24,420 lm |
| | ASD-LSB2-150D50B-SL | | ASD-LSB2-300D50W-PRM | ASD-LSB2HV-240D50B-PRM | 31,680 lm | |
| | ASD-LSB2-150D50B-PRM | | ASD-LSB2-300D50-SL | ASD-LSB2HV-300D50W-PRM | 40,200 lm | |
| | ASD-LSB2-150D50B-BK | | ASD-LSB2-300D50B-PRM | ASD-LSB2HV-300D50B-PRM | 40,200 lm | |
| | ASD-LSB2-150D50B-SF | | ASD-LSB2-300D50-BK | ASD-LSB2HV-400D50B-PRM | 67,721 lm | |
| | ASD-LSB2-150D50B-AR | | | ASD-LSB2HV-500D50B-PRM | 83,403 lm | |
| Color temperature | 3,000 K; 4,000 K; 5,000 K | | | | | |
| CRI | > 80 for ASD-LSB2-400D50B-PRM, ASD-LSB2-500D50B-PRM, ASD-LSB2HV-400D50B-PRM, ASD-LSB2HV-500D50B-PRM models: > 70 | | | | | |
| Electrical system | | | | | | |
| Input voltage | Regular voltage: 120-277 V High voltage: 277-480 V | | | | | |
| Max input current | ASD-LSB2-60D50W-PRM | 0.7 A | ASD-LSB2-185D30B-PRM | 2.1 A | ASD-LSB2-300D50B-SF | 3.4 A |
| | ASD-LSB2-60D50B-PRM | | ASD-LSB2-185D50W-PRM | | ASD-LSB2-300D50B-AR | |
| | ASD-LSB2-100D40B-PRM | 1.2 A | ASD-LSB2-185D50B-PRM | 2.7 A | ASD-LSB2-400D50B-PRM | 2.6 A |
| | ASD-LSB2-100D50B-PRM | | ASD-LSB2-185D50B-SF | | ASD-LSB2-500D50B-PRM | |
| | ASD-LSB2-100D50B-SF | ASD-LSB2-185D50B-AR | ASD-LSB2-100D50B-PC-PRM-SF | 0.83 A | | |
| | ASD-LSB2-100D50B-AR | ASD-LSB2-240D50B-PRM | ASD-LSB2HV-100D50B-PRM | 0.4 A | | |
| | ASD-LSB2-150D30B-PRM | 1.7 A | ASD-LSB2-240D50B-SF | ASD-LSB2HV-150D50W-PRM | 0.6 A | |
| | ASD-LSB2-150D40B-PRM | | ASD-LSB2-240D50B-AR | ASD-LSB2HV-150D50B-PRM | 0.8 A | |
| | ASD-LSB2-150D50W-PRM | | ASD-LSB2-300D40B-PRM | ASD-LSB2HV-185D50B-PRM | 1 A | |
| | ASD-LSB2-150D50B-SL | | ASD-LSB2-300D50W-PRM | ASD-LSB2HV-240D50B-PRM | 1.2 A | |
| | ASD-LSB2-150D50B-PRM | | ASD-LSB2-300D50-SL | ASD-LSB2HV-300D50W-PRM | 1.8 A | |
| | ASD-LSB2-150D50B-BK | | ASD-LSB2-300D50B-PRM | ASD-LSB2HV-300D50B-PRM | | |
| | ASD-LSB2-150D50B-SF | ASD-LSB2-300D50-BK | ASD-LSB2HV-400D50B-PRM | | | |
| | ASD-LSB2-150D50B-AR | | ASD-LSB2HV-500D50B-PRM | | | |
| Inrush current (Action time) | ASD-LSB2-60D50W-PRM | 80 A (0.75 S) | ASD-LSB2-185D30B-PRM | 130 A (0.75 S) | ASD-LSB2-300D50B-SF | 130 A (0.75 S) |
| | ASD-LSB2-60D50B-PRM | 100 A (0.75 S) | ASD-LSB2-185D50W-PRM | | ASD-LSB2-300D50B-AR | |
| | ASD-LSB2-100D40B-PRM | | ASD-LSB2-185D50B-PRM | ASD-LSB2-400D50B-PRM | 80 A (0.35 S) | |
| | ASD-LSB2-100D50B-PRM | ASD-LSB2-185D50B-SF | ASD-LSB2-500D50B-PRM | | | |
| | ASD-LSB2-100D50B-SF | ASD-LSB2-185D50B-AR | ASD-LSB2-100D50B-PC-PRM-SF | 0.16 A (0.2 S) | | |
| | ASD-LSB2-100D50B-AR | ASD-LSB2-240D50B-PRM | ASD-LSB2HV-100D50B-PRM | 25 A (0.9 S) | | |
| | ASD-LSB2-150D30B-PRM | ASD-LSB2-240D50B-SF | ASD-LSB2HV-150D50W-PRM | | | |
| | ASD-LSB2-150D40B-PRM | ASD-LSB2-240D50B-AR | ASD-LSB2HV-150D50B-PRM | 55 A (0.75 S) | | |
| | ASD-LSB2-150D50W-PRM | ASD-LSB2-300D40B-PRM | ASD-LSB2HV-185D50B-PRM | | | |
| | ASD-LSB2-150D50B-SL | ASD-LSB2-300D50W-PRM | ASD-LSB2HV-240D50B-PRM | 90 A (0.75 S) | | |
| | ASD-LSB2-150D50B-PRM | ASD-LSB2-300D50-SL | ASD-LSB2HV-300D50W-PRM | | | |
| | ASD-LSB2-150D50B-BK | ASD-LSB2-300D50B-PRM | ASD-LSB2HV-300D50B-PRM | | | |
| | ASD-LSB2-150D50B-SF | ASD-LSB2-300D50-BK | ASD-LSB2HV-400D50B-PRM | 90 A (0.58 S) | | |
| | ASD-LSB2-150D50B-AR | | ASD-LSB2HV-500D50B-PRM | | | |
| Off state power | 0W | | | | | |

For most up-to-date spec sheets please refer to asd-lighting.com



LED AREA LIGHT

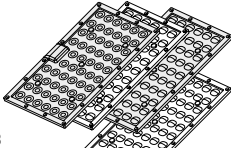

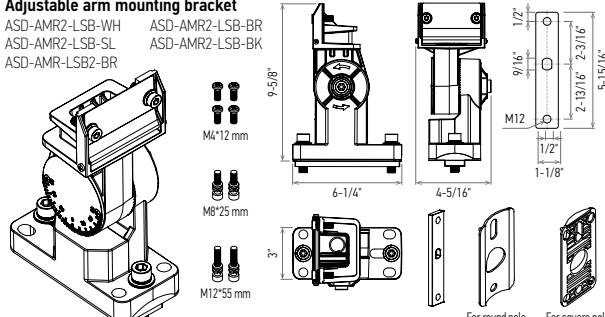
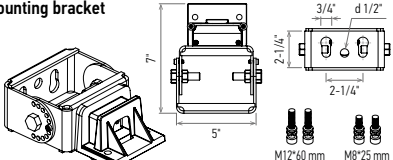

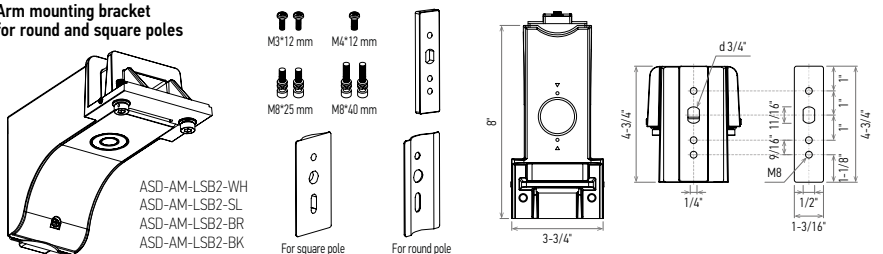
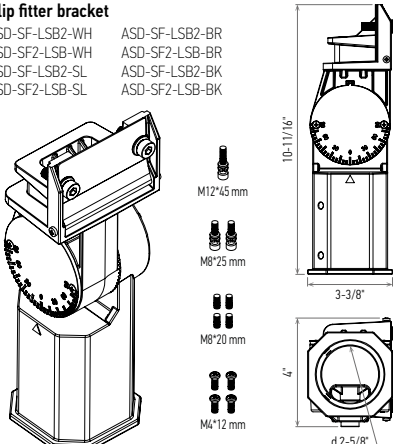
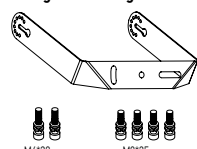
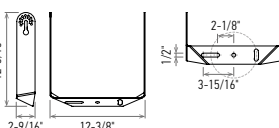
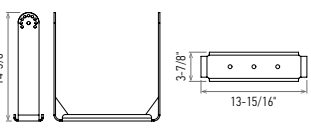
| Electrical system | | | | | | |
|---|---|---|---|--|---|---|
| Power consumption | ASD-LSB2-60D50W-PRM | 60W | ASD-LSB2-185D30B-PRM | 185W | ASD-LSB2-300D50B-SF | 300W |
| | ASD-LSB2-60D50B-PRM | | ASD-LSB2-185D50W-PRM | | ASD-LSB2-300D50B-AR | |
| | ASD-LSB2-100D40B-PRM | | ASD-LSB2-185D50B-PRM | | ASD-LSB2-400D50B-PRM | |
| | ASD-LSB2-100D50B-PRM | 100W | ASD-LSB2-185D50B-SF | 240W | ASD-LSB2-500D50B-PRM | 500W |
| | ASD-LSB2-100D50B-SF | | ASD-LSB2-185D50B-AR | | ASD-LSB2-100D50B-PC-PRM-SF | |
| | ASD-LSB2-100D50B-AR | | ASD-LSB2-240D50B-PRM | | ASD-LSB2HV-100D50B-PRM | |
| | ASD-LSB2-150D30B-PRM | 150W | ASD-LSB2-240D50B-SF | 300W | ASD-LSB2HV-150D50W-PRM | 150W |
| | ASD-LSB2-150D40B-PRM | | ASD-LSB2-240D50B-AR | | ASD-LSB2HV-150D50B-PRM | |
| | ASD-LSB2-150D50W-PRM | | ASD-LSB2-300D40B-PRM | | ASD-LSB2HV-185D50B-PRM | |
| | ASD-LSB2-150D50B-SL | | ASD-LSB2-300D50W-PRM | | ASD-LSB2HV-240D50B-PRM | |
| | ASD-LSB2-150D50B-PRM | | ASD-LSB2-300D50-SL | | ASD-LSB2HV-300D50W-PRM | |
| | ASD-LSB2-150D50B-BK | | ASD-LSB2-300D50B-PRM | | ASD-LSB2HV-300D50B-PRM | |
| | ASD-LSB2-150D50B-SF | | ASD-LSB2-300D50-BK | | ASD-LSB2HV-400D50B-PRM | |
| | ASD-LSB2-150D50B-AR | | | | ASD-LSB2HV-500D50B-PRM | |
| Power factor | > 0.9 | | | | | |
| Output voltage | ASD-LSB2-60D50W-PRM | 90-130 V | ASD-LSB2-185D30B-PRM | 180-260 V | ASD-LSB2-300D50B-SF | 180-260 V |
| | ASD-LSB2-60D50B-PRM | | ASD-LSB2-185D50W-PRM | | ASD-LSB2-300D50B-AR | |
| | ASD-LSB2-100D40B-PRM | | ASD-LSB2-185D50B-PRM | | ASD-LSB2-400D50B-PRM | |
| | ASD-LSB2-100D50B-PRM | | ASD-LSB2-185D50B-SF | | ASD-LSB2-500D50B-PRM | |
| | ASD-LSB2-100D50B-SF | | ASD-LSB2-185D50B-AR | | ASD-LSB2-100D50B-PC-PRM-SF | |
| | ASD-LSB2-100D50B-AR | | ASD-LSB2-240D50B-PRM | | ASD-LSB2HV-100D50B-PRM | |
| | ASD-LSB2-150D30B-PRM | 180-260 V | ASD-LSB2-240D50B-SF | 22-56 V | ASD-LSB2HV-150D50W-PRM | 22-56 V |
| | ASD-LSB2-150D40B-PRM | | ASD-LSB2-240D50B-AR | | ASD-LSB2HV-150D50B-PRM | |
| | ASD-LSB2-150D50W-PRM | | ASD-LSB2-300D40B-PRM | | ASD-LSB2HV-185D50B-PRM | |
| | ASD-LSB2-150D50B-SL | | ASD-LSB2-300D50W-PRM | | ASD-LSB2HV-240D50B-PRM | |
| | ASD-LSB2-150D50B-PRM | | ASD-LSB2-300D50-SL | | ASD-LSB2HV-300D50W-PRM | |
| | ASD-LSB2-150D50B-BK | | ASD-LSB2-300D50B-PRM | | ASD-LSB2HV-300D50B-PRM | |
| | ASD-LSB2-150D50B-SF | | ASD-LSB2-300D50-BK | | ASD-LSB2HV-400D50B-PRM | |
| | ASD-LSB2-150D50B-AR | | | | ASD-LSB2HV-500D50B-PRM | |
| Max output current | ASD-LSB2-60D50W-PRM | 0.3 A | ASD-LSB2-185D30B-PRM | 0.79 A | ASD-LSB2-300D50B-SF | 1.26 A |
| | ASD-LSB2-60D50B-PRM | | ASD-LSB2-185D50W-PRM | | ASD-LSB2-300D50B-AR | |
| | ASD-LSB2-100D40B-PRM | 0.82 A | ASD-LSB2-185D50B-PRM | 0.95 A | ASD-LSB2-400D50B-PRM | 1.57 A |
| | ASD-LSB2-100D50B-PRM | | ASD-LSB2-185D50B-SF | | ASD-LSB2-500D50B-PRM | |
| | ASD-LSB2-100D50B-SF | 2.7 A | ASD-LSB2-185D50B-AR | 1.26 A | ASD-LSB2-100D50B-PC-PRM-SF | 1.72 A |
| | ASD-LSB2-100D50B-AR | | ASD-LSB2-240D50B-PRM | | ASD-LSB2HV-100D50B-PRM | |
| | ASD-LSB2-150D30B-PRM | 0.63 A | ASD-LSB2-240D50B-SF | 1.26 A | ASD-LSB2HV-150D50W-PRM | 3 A |
| | ASD-LSB2-150D40B-PRM | | ASD-LSB2-240D50B-AR | | ASD-LSB2HV-150D50B-PRM | |
| | ASD-LSB2-150D50W-PRM | | ASD-LSB2-300D40B-PRM | | ASD-LSB2HV-185D50B-PRM | |
| | ASD-LSB2-150D50B-SL | | ASD-LSB2-300D50W-PRM | | ASD-LSB2HV-240D50B-PRM | |
| | ASD-LSB2-150D50B-PRM | | ASD-LSB2-300D50-SL | | ASD-LSB2HV-300D50W-PRM | |
| | ASD-LSB2-150D50B-BK | | ASD-LSB2-300D50B-PRM | | ASD-LSB2HV-300D50B-PRM | |
| | ASD-LSB2-150D50B-SF | | ASD-LSB2-300D50-BK | | ASD-LSB2HV-400D50B-PRM | |
| | ASD-LSB2-150D50B-AR | | | | ASD-LSB2HV-500D50B-PRM | |
| Surge protection DM/CM | Regular voltage: 10 kV / 10 kV | | for 60W models: 4 kV / 6 kV | | | |
| | for ASD-LSB2-400D50B-PRM, ASD-LSB2-500D50B-PRM models: 6 kV / 6 kV | | for ASD-LSB2-100D50B-PC-PRM-SF model, High voltage: 6 kV / 10 kV | | | |
| Effective projected area (EPA) ratings | | | | | | |
| Fixture q-ty |  |  |  |  |  |  |
| | Single | Double 180° | Double 90° | Triple 90° | Triple 120° | Quad 90° |
| EPA of 60/100/150/185W | 0.23 | 0.46 | 0.4 | 0.63 | 0.73 | 0.73 |
| EPA of 240/300W | 0.42 | 0.84 | 0.72 | 1.14 | 1.54 | 1.54 |
| EPA of 400/500W | 0.58 | 1.16 | 1 | 1.58 | 2.13 | 2.13 |
| Dimming compatible controls | | | | | | |
| Brand | Maxxima | Keygma | Leviton | Lutron | Eaton | |
| Models | MEW-DM60DLV | KGM-1A010V | IP710-DLZ | DVSTV-WH | DF10P-C1 | |
| Regular and voluntary certifications | | | | | | |
| 5-year limited warranty | | | | | | |
| DesignLights Consortium (DLC) listed (Classification: Premium) Main: Outdoor luminaires; General application: Mid/High/Very high output (Very high output for models from 240W and higher); Primary use: Outdoor pole/arm-mounted area and roadway luminaires | | | | | | |
| UL certified E473804 | | | | | | |
| PACKAGE CONTENTS: | | | | | | |
| Description | Q-ty | | | | | |
| LED Area Light | 1 | | | | | |
| Safety cable (A) only for 400W/500W models | 1 | | | | | |
| Box | 1 | | | | | |
| | | | | | |  |

For most up-to-date spec sheets please refer to asd-lighting.com



LED AREA LIGHT

ACCESSORIES (sold separately):

| | | |
|---|--|---|
| <p>Clear lens Floodlight distribution 30° ASD-LFL-LSB type II-M ASD-L2M-LSB type IV-M type V-M ASD-L4M-LSB ASD-L5M-LSB</p>  | <p>90° Spill shield ASD-SLD5-LSB2-BR</p>  | <p>Adjustable arm mounting bracket ASD-AMR2-LSB-WH ASD-AMR2-LSB-BR ASD-AMR2-LSB-SL ASD-AMR2-LSB-BK ASD-AMR-LSB2-BR</p>  <p>M4*12 mm M8*25 mm M12*55 mm</p> <p>For round pole For square pole</p> |
| <p>Full trunnion mounting bracket ASD-TR-LSB2-WH ASD-TR-LSB2-WH ASD-TR-LSB2-SL ASD-TR-LSB2-SL ASD-TR-LSB2-BR ASD-TR-LSB2-BR ASD-TR-LSB2-BK ASD-TR-LSB2-BK ASD-TR2-LSB-BK</p>  <p>M12*60 mm M8*25 mm</p> | <p>Photocell kit for regular voltage ASD-PC-LSB for high voltage ASD-PC-LSBHV</p>  | <p>Arm mounting bracket for round and square poles</p>  <p>M3*12 mm M4*12 mm M8*25 mm M8*40 mm</p> <p>For square pole For round pole</p> |
| <p>Slip fitter bracket ASD-SF-LSB2-WH ASD-SF-LSB2-BR ASD-SF2-LSB-WH ASD-SF2-LSB-BR ASD-SF-LSB2-SL ASD-SF-LSB2-BK ASD-SF2-LSB-SL ASD-SF2-LSB-BK</p>  <p>M12*45 mm M8*25 mm M8*20 mm M6*12 mm</p> | <p>Floodlight mounting bracket</p>  <p>M6*20 mm M8*25 mm</p> | <p>for 100-300W ASD-FM-LSB2-100/300BR</p>  <p>for 400-500W ASD-FM-LSB2-400/500BR</p>  |

For most up-to-date spec sheets please refer to asd-lighting.com



ASD[®] LED AREA LIGHT

INSTALLATION GUIDE

IMPORTANT SAFETY INFORMATION:

Please read all the instructions below before installation.

- ▶ Make sure that the supply voltage corresponds to the rated product voltage.
- ▶ The product must be installed by a qualified electrician in accordance with the National Electrical Code and corresponding local codes.
- ▶ If the product is damaged, do not use it.

⚠ WARNING

RISK OF PERSONAL INJURY – READ and follow all WARNINGS and installation instructions. Keep or give to the owner for future reference.

Risk of cuts: Wear gloves to prevent cuts or abrasions when removing from carton, handling, installing, and maintaining this product.

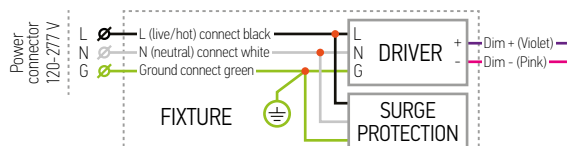
Risk of electric shock: This product must be installed in accordance with the applicable installation code by a person familiar with the construction and operation of the product and the hazards involved.

Risk of Fire: Minimum 194°F supply conductors. Consult a qualified electrician to ensure correct branch circuit conductor.

ASD[®] assumes no responsibility for claims arising out of improper or careless installation or handling of this product.

ELECTRICAL SCHEMATIC DIAGRAM:

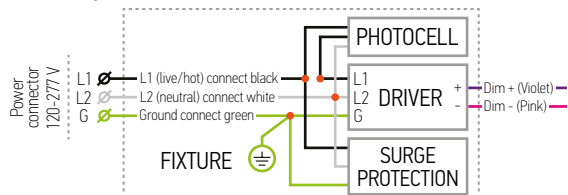
LSB2



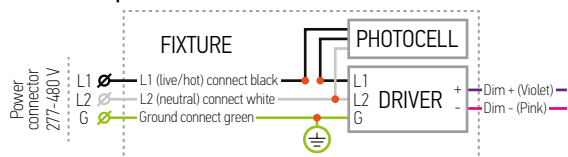
LSB2HV



LSB2 with photocell kit



LSB2HV with photocell kit



* The regular voltage 120-277 V fixtures can be alternatively powered without neutral by two-phase circuit with phase-to-phase voltage of 208 V (L1-120 V & L2-120 V).
WARNING: Phase-to-phase voltage should be less than 277 V (160 V per each phase) and more than 120 V (70 V per each phase)! Do not confuse Regular Voltage fixtures of 120-277 V with High Voltage ones of 277-480 V!

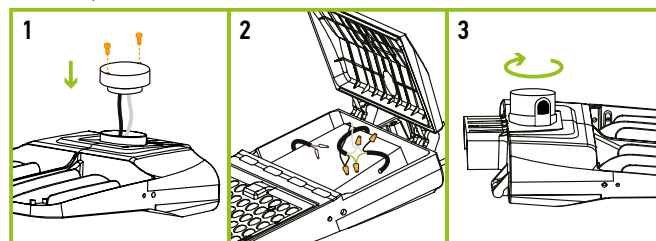
PHOTOCELL KIT

ASD-PC-LSB

ASD-PC-LSBHV

sold separately:

1. Power off before installation. Use a screwdriver to take off the circular plate (2 screws). Screw the photocell base on the top of the fixture, pull the wires through the driver box.
2. Use a screwdriver to open the driver box (2 screws). Connect the wires Black to Black, White to White and Red to Load.
3. Firmly place the photocell into the receptacle base and twist it clockwise until it locks into place.



LENS

ASD-LFL-LSB

ASD-L2M-LSB

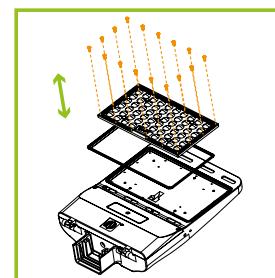
ASD-L4M-LSB

ASD-L5M-LSB

sold separately:

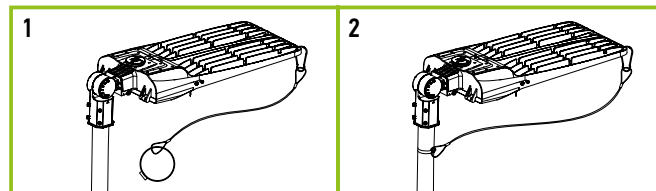
1. Unscrew the 16 screws of the original lens (T3-M) on the housing.
2. Install the rubber ring on new lens (T4/T5-M, sold separately).
3. Place the lens on the housing and make sure it fits the LEDs correctly.
4. Tighten the 16 screws back.

| Lens | |
|-----------------------|--------|
| 60W, 100W, 150W, 185W | 1 lens |
| 240W, 300W | 2 lens |
| 400W, 500W | 3 lens |



SAFETY CABLE:

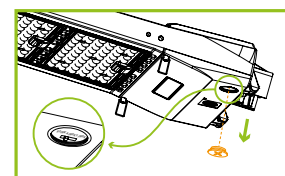
1. Attach one end of the included safety cable through the hole between the fins on the luminaire.
2. Ensure the safety cable is secured on the fixture. Secure the other end of the safety cable to the mounting structure/pole.



Safety cable for 400W/500W models only

COLOR TEMPERATURE SETTINGS:

Open knockout cap in the front panel of the fixture and choose color temperature you need with the simple switch. Then close the knockout cap back.



For most up-to-date spec sheets please refer to asd-lighting.com

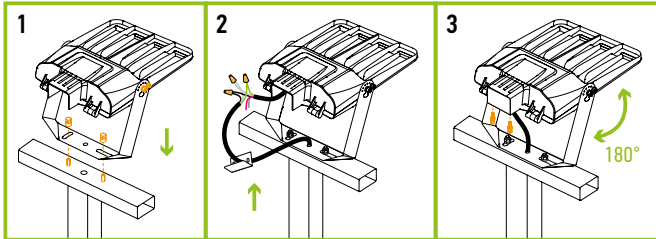


LED AREA LIGHT

FLOODLIGHT MOUNTING BRACKET

ASD-FM-LSB2 sold separately:

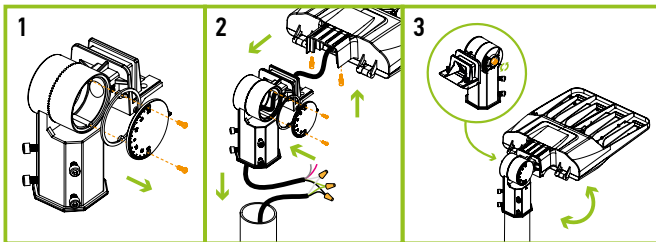
1. Drill holes on the mounting surface corresponding to the holes in the arm. Attach fixture to bracket with 2 screws and bracket to surface with 2 screws.
2. Wire in accordance to the wiring schematic.
3. Seal the connections with the back plate of the fixture. Adjust fixture angle as needed.



SLIP FITTER MOUNTING BRACKET

ASD-SF-LSB2 sold separately:

1. Remove the circular plate from the slip fitter (2 screws).
2. Thread the wire through the slip fitter into the pole. Make AC connections in accordance to wiring diagram.
3. If necessary adjust the fixture angle with the large hex bolt on the side of the slip fitter.

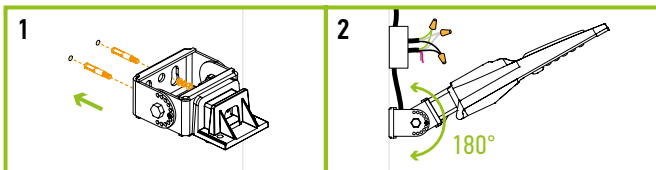


The wiring is inside the pole, the side is sealed with a rubber ring and fixed with screws, preventing water from getting inside the fixture.

FULL TRUNNION MOUNTING BRACKET

ASD-TR-LSB2 sold separately:

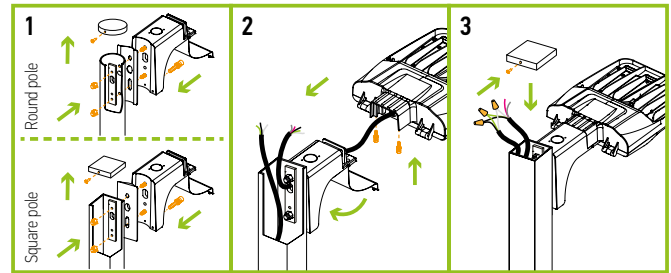
1. Drill holes on the mounting surface, size corresponding to the holes on the arm. Fix the bracket on the wall with screws. Pull wires through mount, secure fixture to the bracket.
2. Wire the AC power into the water tight junction box as shown in the wiring schematic diagram. Adjust the screw position to get desired angle when necessary.



ARM MOUNTING BRACKET **ASD-AM-LSB2**

sold separately:

1. Open up the door on the arm bracket (1 screw). Install the mounting arm onto the pole (2 bolts). Make sure the silicone gaskets form a tight seal. Choose gasket depending on the shape of the pole (round or flat).
2. Thread the cord from the fixture through the bracket into the pole and tighten the two M8 screws on the body of the light.
3. Pass the AC wire through the base and tighten the two screws on the body of the fixture.



ADJUSTABLE ARM MOUNTING BRACKET

ASD-AMR2-LSB-WH

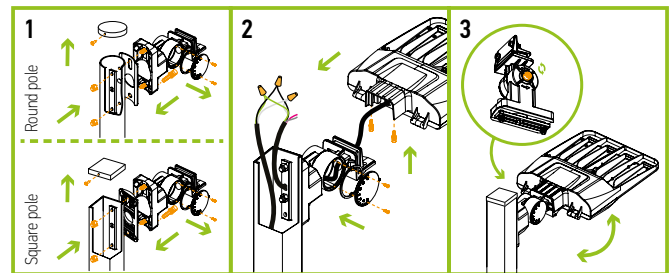
ASD-AMR2-LSB-SL

ASD-AMR2-LSB-BR

ASD-AMR2-LSB-BK

sold separately:

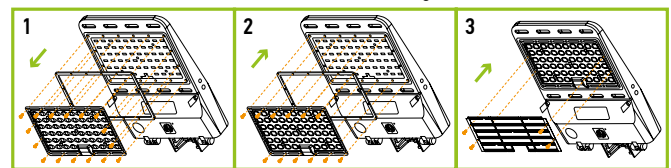
1. Open up the door on the arm bracket (1 screw). Install the mounting arm onto the pole (2 bolts). Make sure the silicone gaskets form a tight seal. Choose gasket depending on the shape of the pole (round or flat).
2. Thread the cord from the fixture through the bracket into the pole and tighten the two M8 screws on the body of the light.
3. Pass the AC wire through the base and tighten the two screws on the body of the fixture. If necessary adjust the fixture angle with the large hex bolt on the side of the bracket.



SPILL SHIELD INSTALLATION

ASD-SLD5-LSB2-BR sold separately:

1. Unscrew 16 screw and de attach the default lens. Remove waterproof gasket from it.
2. Install T5 lens (not included) instead of default lens, using waterproof gasket. Secure it with 12 screws, except the four screws located in both left and right sides, two on each side.
3. Attach the shield and secure it with the remaining four screws.



For most up-to-date spec sheets please refer to asd-lighting.com



LED AREA LIGHT

ORDERING INFORMATION

| Model | Pcs. per carton | Carton size | Carton weight | UPC |
|-------------------------------|-----------------|----------------------|---------------|--------------|
| ASD-LSB2-60D50W-PRM | 1 | 19.1" x 13.4" x 6.1" | 9.9 lbs | 810050732710 |
| ASD-LSB2-60D50B-PRM | 1 | 19.1" x 13.4" x 6.1" | 9.9 lbs | 819201026920 |
| ASD-LSB2-100D40B-PRM | 1 | 19.1" x 13.4" x 6.1" | 10.2 lbs | 810050733342 |
| ASD-LSB2-100D50B-PRM | 1 | 19.1" x 13.4" x 6.1" | 10.2 lbs | 819201026449 |
| ASD-LSB2-100D50B-SF | 1 | 25.9" x 15.4" x 6.1" | 13.5 lbs | 810050735568 |
| ASD-LSB2-100D50B-AR | 1 | 25.9" x 15.4" x 6.1" | 12 lbs | 810050735612 |
| ASD-LSB2-150D30B-PRM | 1 | 19.1" x 13.4" x 6.1" | 10.3 lbs | 810050730198 |
| ASD-LSB2-150D40B-PRM | 1 | 19.1" x 13.4" x 6.1" | 10.3 lbs | 810050733359 |
| ASD-LSB2-150D50W-PRM | 1 | 19.1" x 13.4" x 6.1" | 10.3 lbs | 810050732727 |
| ASD-LSB2-150D50-SL | 1 | 19.1" x 13.4" x 6.1" | 10.3 lbs | 810050736954 |
| ASD-LSB2-150D50B-PRM | 1 | 19.1" x 13.4" x 6.1" | 10.3 lbs | 819201026456 |
| ASD-LSB2-150D50-BK | 1 | 19.1" x 13.4" x 6.1" | 10.3 lbs | 810050736947 |
| ASD-LSB2-150D50B-SF | 1 | 25.9" x 15.4" x 6.1" | 13.6 lbs | 810050735575 |
| ASD-LSB2-150D50B-AR | 1 | 25.9" x 15.4" x 6.1" | 12.1 lbs | 810050735629 |
| ASD-LSB2-185D30B-PRM | 1 | 19.1" x 13.4" x 6.1" | 10.3 lbs | 810050730204 |
| ASD-LSB2-185D50W-PRM | 1 | 19.1" x 13.4" x 6.1" | 10.3 lbs | 810050732734 |
| ASD-LSB2-185D50B-PRM | 1 | 19.1" x 13.4" x 6.1" | 10.3 lbs | 819201026463 |
| ASD-LSB2-185D50B-SF | 1 | 25.9" x 15.4" x 6.1" | 13.6 lbs | 810050735582 |
| ASD-LSB2-185D50B-AR | 1 | 25.9" x 15.4" x 6.1" | 12.1 lbs | 810050735636 |
| ASD-LSB2-240D50B-PRM | 1 | 25.7" x 13.4" x 6.1" | 17 lbs | 819201026470 |
| ASD-LSB2-240D50B-SF | 1 | 32.4" x 15.4" x 6.1" | 20.4 lbs | 810050735599 |
| ASD-LSB2-240D50B-AR | 1 | 32.4" x 15.4" x 6.1" | 18.8 lbs | 810050735643 |
| ASD-LSB2-300D40B-PRM | 1 | 25.7" x 13.4" x 6.1" | 18.1 lbs | 810050733366 |
| ASD-LSB2-300D50W-PRM | 1 | 25.7" x 13.4" x 6.1" | 18.1 lbs | 810050732741 |
| ASD-LSB2-300D50-SL | 1 | 25.7" x 13.4" x 6.1" | 18.1 lbs | 810050736978 |
| ASD-LSB2-300D50B-PRM | 1 | 25.7" x 13.4" x 6.1" | 18.1 lbs | 819201026487 |
| ASD-LSB2-300D50-BK | 1 | 25.7" x 13.4" x 6.1" | 18.1 lbs | 810050736961 |
| ASD-LSB2-300D50B-SF | 1 | 32.4" x 15.4" x 6.1" | 21.5 lbs | 810050735605 |
| ASD-LSB2-300D50B-AR | 1 | 32.4" x 15.4" x 6.1" | 19.9 lbs | 810050735650 |
| ASD-LSB2-400D50B-PRM | 1 | 31.7" x 15.6" x 7.1" | 26.7 lbs | 819201026494 |
| ASD-LSB2-500D50B-PRM | 1 | 31.7" x 15.6" x 7.1" | 26.7 lbs | 819201026517 |
| LSB2-PC WITH PHOTOCELL | | | | |
| ASD-LSB2-100D50B-PC-PRM-SF | 1 | 18" x 13.7" x 6.5" | 13.7 lbs | 810050733458 |
| LSB2HV HIGH VOLTAGE | | | | |
| ASD-LSB2HV-100D50B-PRM | 1 | 19.1" x 13.4" x 6.1" | 10.3 lbs | 810050730358 |
| ASD-LSB2HV-150D50W-PRM | 1 | 19.1" x 13.4" x 6.1" | 10.3 lbs | 810050732765 |
| ASD-LSB2HV-150D50B-PRM | 1 | 19.1" x 13.4" x 6.1" | 10.3 lbs | 819201027392 |
| ASD-LSB2HV-185D50B-PRM | 1 | 19.1" x 13.4" x 6.1" | 10.3 lbs | 819201027408 |
| ASD-LSB2HV-240D50B-PRM | 1 | 25.7" x 13.4" x 6.1" | 17 lbs | 810050730228 |
| ASD-LSB2HV-300D50W-PRM | 1 | 25.7" x 13.4" x 6.1" | 18.1 lbs | 810050732789 |
| ASD-LSB2HV-300D50B-PRM | 1 | 25.7" x 13.4" x 6.1" | 18.1 lbs | 819201026821 |
| ASD-LSB2HV-400D50B-PRM | 1 | 31.7" x 15.6" x 7.1" | 27.8 lbs | 819201026838 |
| ASD-LSB2HV-500D50B-PRM | 1 | 31.7" x 15.6" x 7.1" | 27.8 lbs | 819201026845 |

For most up-to-date spec sheets please refer to asd-lighting.com

ASD LIGHTING CORP

E-mail: orders@asd-lighting.com | Web site: www.asd-lighting.com





LED AREA LIGHT

ACCESSORIES:

| Model | Description | UPC | Pcs. per carton | Carton size | Carton weight | GTIN 14 |
|-----------------------|--|--------------|-----------------|-----------------------|---------------|----------------|
| ASD-PC-LSB | Photocell kit | 819201023622 | 100 | 17.4" x 17.4" x 19.8" | 52.9 lbs | 10819201023629 |
| ASD-PC-LSBHV | Photocell kit for high voltage | 819201023646 | 24 | 23.2" x 15.7" x 6.3" | 13.1 lbs | 10819201023643 |
| ASD-LFL-LSB | Clear lens 30° floodlight distribution | 810050737098 | 50 | 20.6" x 11.5" x 6.7" | 29.1 lbs | 10810050737095 |
| ASD-L2M-LSB | Clear lens type II-M | 810050731508 | 50 | 20.6" x 11.5" x 6.7" | 22.5 lbs | 10810050731505 |
| ASD-L4M-LSB | Clear lens type IV-M | 819201023844 | 50 | 20.6" x 11.5" x 6.7" | 26.9 lbs | 10819201023841 |
| ASD-L5M-LSB | Clear lens type V-M | 819201023851 | 50 | 20.6" x 11.5" x 6.7" | 23.6 lbs | 10819201023858 |
| ASD-TR-LSB2-WH | Full trunnion mounting bracket white | 810050737999 | 10 | 14.5" x 14" x 8.2" | 31.7 lbs | 10810050737996 |
| ASD-TR2-LSB-WH | Full trunnion mounting bracket white | 810128114295 | 10 | 14.5" x 14" x 8.2" | 31.7 lbs | 10810128114292 |
| ASD-TR-LSB2-SL | Full trunnion mounting bracket silver | 810050738248 | 10 | 14.5" x 14" x 8.2" | 31.7 lbs | 10810050738245 |
| ASD-TR2-LSB-SL | Full trunnion mounting bracket silver | 810128114288 | 10 | 14.5" x 14" x 8.2" | 31.7 lbs | 10810128114285 |
| ASD-TR-LSB2-BR | Full trunnion mounting bracket bronze | 810050738224 | 10 | 14.5" x 14" x 8.2" | 31.7 lbs | 10810050738221 |
| ASD-TR2-LSB-BR | Full trunnion mounting bracket bronze | 810128114271 | 10 | 14.5" x 14" x 8.2" | 31.7 lbs | 10810128114278 |
| ASD-TR-LSB2-BK | Full trunnion mounting bracket black | 810050738231 | 10 | 14.5" x 14" x 8.2" | 31.7 lbs | 10810050738238 |
| ASD-TR2-LSB-BK | Full trunnion mounting bracket black | 810128114264 | 10 | 14.5" x 14" x 8.2" | 31.7 lbs | 10810128114261 |
| ASD-SF-LSB2-WH | Slip fitter mounting bracket white | 810050738019 | 10 | 18.4" x 9.3" x 11.8" | 35.1 lbs | 10810050738016 |
| ASD-SF2-LSB-WH | Slip fitter mounting bracket white | 810128114257 | 10 | 18.4" x 9.3" x 11.8" | 35.1 lbs | 10810128114254 |
| ASD-SF-LSB2-SL | Slip fitter mounting bracket silver | 810050738163 | 10 | 18.4" x 9.3" x 11.8" | 35.1 lbs | 10810050738160 |
| ASD-SF2-LSB-SL | Slip fitter mounting bracket silver | 810128114240 | 10 | 18.4" x 9.3" x 11.8" | 35.1 lbs | 10810128114247 |
| ASD-SF-LSB2-BR | Slip fitter mounting bracket bronze | 810050738002 | 10 | 18.4" x 9.3" x 11.8" | 35.1 lbs | 10810050738009 |
| ASD-SF2-LSB-BR | Slip fitter mounting bracket bronze | 810128114233 | 10 | 18.4" x 9.3" x 11.8" | 35.1 lbs | 10810128114230 |
| ASD-SF-LSB2-BK | Slip fitter mounting bracket black | 810050738156 | 10 | 18.4" x 9.3" x 11.8" | 35.1 lbs | 10810050738153 |
| ASD-SF2-LSB-BK | Slip fitter mounting bracket black | 810128114226 | 10 | 18.4" x 9.3" x 11.8" | 35.1 lbs | 10810128114223 |
| ASD-AM-LSB2-WH | Arm mounting bracket white | 810050738187 | 10 | 21.4" x 10.8" x 9.8" | 20.3 lbs | 10810050738184 |
| ASD-AM-LSB2-SL | Arm mounting bracket silver | 810050738200 | 10 | 21.4" x 10.8" x 9.8" | 20.3 lbs | 10810050738207 |
| ASD-AM-LSB2-BR | Arm mounting bracket bronze | 810050738170 | 10 | 21.4" x 10.8" x 9.8" | 20.3 lbs | 10810050738177 |
| ASD-AM-LSB2-BK | Arm mounting bracket black | 810050738194 | 10 | 21.4" x 10.8" x 9.8" | 20.3 lbs | 10810050738191 |
| ASD-AMR2-LSB-WH | Adjustable arm mounting bracket white | 810128114011 | 10 | 21.4" x 9.6" x 13.4" | 30.9 lbs | 10810128114018 |
| ASD-AMR2-LSB-SL | Adjustable arm mounting bracket silver | 810128113335 | 10 | 21.4" x 9.6" x 13.4" | 30.9 lbs | 10810128113332 |
| ASD-AMR2-LSB-BR | Adjustable arm mounting bracket bronze | 810050738217 | 10 | 21.4" x 9.6" x 13.4" | 30.9 lbs | 10810050738214 |
| ASD-AMR2-LSB-BK | Adjustable arm mounting bracket bronze | 810128113328 | 10 | 21.4" x 9.6" x 13.4" | 30.9 lbs | 10810128113325 |
| ASD-AMR2-LSB-BK | Adjustable arm mounting bracket black | 810128113311 | 10 | 21.4" x 9.6" x 13.4" | 30.9 lbs | 10810128113318 |
| ASD-FM-LSB2-100/300BR | Floodlight mounting bracket for 100-300W | 810050738255 | 10 | 26" x 16.1" x 13.4" | 32 lbs | 10810050738252 |
| ASD-FM-LSB2-400/500BR | Floodlight mounting bracket for 400-500W | 810050738262 | 5 | 15.4" x 14.9" x 20.5" | 61.3 lbs | 20810050738266 |
| ASD-SLD5-LSB2-BR | 90° Spill shield | 810128110297 | 50 | 12.2" x 12.2" x 6.9" | 24.3 lbs | 10810128110294 |

For most up-to-date spec sheets please refer to asd-lighting.com