



LED SMD SLIM FLOODLIGHT with arm

Slim Series

► **DESIGN & OPTIONS** - LED SLIM FLOODLIGHT WITH ARM consumes a lot less energy and is much more efficient than all other widely used floodlights. The die-cast aluminum housing design is adapted to maximize heat dissipation on the surface, accelerate the air circulation, protect the LED chips, and to ensure long-term functioning at 120V. You can choose either a 3000K, 4000K or 5000K color temperature with a BRONZE or WHITE finish.

► **INSTALLATION** - This LED SLIM FLOODLIGHT WITH ARM can be mounted directly to electrical boxes or to poles with 1/2" threaded inserts. Refer to install instructions for detailed steps.

► **APPLICATION** - LED SLIM FLOODLIGHT WITH ARM is suitable for both indoor and outdoor applications such as: gardens, backyards, squares, factories, docks, stadiums, garages, streets, yards, exterior accent lighting for a house, outdoor shop lighting, or anywhere else lighting is needed. These lights are WET location rated and can operate in temperatures between -40°+122°F (-40°+50°C), allowing them to be utilized in a wide variety of applications and climates.

► **ENERGY SAVINGS & EFFICIENCY** - This fixture provides a lumen output equal to MH/HPS and can cut your electric bill by up to 80% instantly. With a lifespan of 54,000 hours, these fixtures are made to last decades under normal operation! This fixture will save you a significant amount of money in its lifetime.

► **CERTIFICATION & WARRANTY** - Buy with confidence: ASD provides a 5-year warranty along with ETL certifications to guarantee top quality products and safety!

Catalog number	
Notes	
Type	



PRODUCT LEGEND:

Family	Knuckle	Watts	CCT	Finish
ASD-SSFL	X	XX	XX	X
SLIM SMD Floodlight	A = with arm	20 = 20 W 30 = 30 W 50 = 50 W	50 = 5,000 K	Blank = Black W = White B = Bronze

LED SLIM FLOODLIGHT:

Model	LED	Watts	Voltage	Dimmable	CCT	Lumens	Dimensions (LxWxH)	Finish
ASD-SSFL-A2030-B	SMD	20 W	120 V	No	3,000 K	1,803 lm	5 1/4" x 2 1/4" x 3 7/8"	Bronze
ASD-SSFL-A2050	SMD	20 W	120 V	No	5,000 K	1,770 lm	5 1/4" x 2 1/4" x 3 7/8"	Black
ASD-SSFL-A2050-W	SMD	20 W	120 V	No	5,000 K	1,770 lm	5 1/4" x 2 1/4" x 3 7/8"	White
ASD-SSFL-A3030-W	SMD	30 W	120 V	No	3,000 K	3,087 lm	7 1/4" x 2 3/8" x 5 1/8"	White
ASD-SSFL-A3030-B	SMD	30 W	120 V	No	3,000 K	3,087 lm	7 1/4" x 2 3/8" x 5 1/8"	Bronze
ASD-SSFL-A3040-B	SMD	30 W	120 V	No	4,000 K	3,191 lm	7 1/4" x 2 3/8" x 5 1/8"	Bronze
ASD-SSFL-A3050	SMD	30 W	120 V	No	5,000 K	3,035 lm	7 1/4" x 2 3/8" x 5 1/8"	Black
ASD-SSFL-A3050-W	SMD	30 W	120 V	No	5,000 K	3,035 lm	7 1/4" x 2 3/8" x 5 1/8"	White
ASD-SSFL-A3050-B	SMD	30 W	120 V	No	5,000 K	3,087 lm	7 1/4" x 2 3/8" x 5 1/8"	Bronze
ASD-SSFL-A5030-W	SMD	50 W	120 V	No	3,000 K	5,221 lm	8 3/4" x 2 3/8" x 6"	White
ASD-SSFL-A5030-B	SMD	50 W	120 V	No	3,000 K	5,221 lm	8 3/4" x 2 3/8" x 6"	Bronze
ASD-SSFL-A5040-B	SMD	50 W	120 V	No	4,000 K	5,370 lm	8 3/4" x 2 3/8" x 6"	Bronze
ASD-SSFL-A5050	SMD	50 W	120 V	No	5,000 K	5,133 lm	8 3/4" x 2 3/8" x 6"	Black
ASD-SSFL-A5050-W	SMD	50 W	120 V	No	5,000 K	5,133 lm	8 3/4" x 2 3/8" x 6"	White
ASD-SSFL-A5050-B	SMD	50 W	120 V	No	5,000 K	5,133 lm	8 3/4" x 2 3/8" x 6"	Bronze

For most up-to-date spec sheets please refer to asd-lighting.com

ASD LIGHTING CORP

E-mail: orders@asd-lighting.com | Web site: www.asd-lighting.com





LED SMD SLIM FLOODLIGHT with arm

Slim Series

PRODUCT SPECIFICATIONS:

Construction & Materials						
Housing	Aluminum					
Reflector	Aluminum					
Glass	Tempered glass					
Mounting	1/2" NPS threaded locking swivel arm					
Finish	Black, White, Bronze					
Weight	ASD-SSFL-A2030-B	0.7 lbs (0.3 kg)	ASD-SSFL-A3040-B	1.3 lbs (0.6 kg)	ASD-SSFL-A5030-B	1.5 lbs (0.7 kg)
	ASD-SSFL-A2050		ASD-SSFL-A3050		ASD-SSFL-A5040-B	
	ASD-SSFL-A2050-W		ASD-SSFL-A3050-W		ASD-SSFL-A5050	
	ASD-SSFL-A3030-W	ASD-SSFL-A3050-B	ASD-SSFL-A5050-W			
	ASD-SSFL-A3030-B	1.3 lbs (0.6 kg)	ASD-SSFL-A5030-W	1.5 lbs (0.7 kg)	ASD-SSFL-A5050-B	
Environmental System						
Work Environment	Suitable for Wet Locations, IP65					
Operating Temperature	-40°F to 122°F (-40°C to 50°C)					
L-70 Life	R > 54,000 hrs; C > 74,000 hrs					
Optical System						
Luminous Flux	ASD-SSFL-A2030-B	1,803 lm	ASD-SSFL-A3040-B	3,191 lm	ASD-SSFL-A5030-B	5,221 lm
	ASD-SSFL-A2050	1,770 lm	ASD-SSFL-A3050	3,035 lm	ASD-SSFL-A5040-B	5,370 lm
	ASD-SSFL-A2050-W		ASD-SSFL-A3050-W		ASD-SSFL-A5050	
	ASD-SSFL-A3030-W	3,087 lm	ASD-SSFL-A3050-B	3,087 lm	ASD-SSFL-A5050-W	5,133 lm
	ASD-SSFL-A3030-B		ASD-SSFL-A5030-W	5,221 lm	ASD-SSFL-A5050-B	
Color Temperature	3,000 K; 4,000 K; 5,000 K					
CRI	> 70					
Electrical System						
Input Voltage	120 V					
Max input current	ASD-SSFL-A2030-B	0.2 A	ASD-SSFL-A3040-B	0.25 A	ASD-SSFL-A5030-B	0.5 A
	ASD-SSFL-A2050		ASD-SSFL-A3050		ASD-SSFL-A5040-B	
	ASD-SSFL-A2050-W		ASD-SSFL-A3050-W		ASD-SSFL-A5050	
	ASD-SSFL-A3030-W	ASD-SSFL-A3050-B	ASD-SSFL-A5050-W			
	ASD-SSFL-A3030-B	0.25 A	ASD-SSFL-A5030-W	0.5 A	ASD-SSFL-A5050-B	
Inrush current (Action time)	ASD-SSFL-A2030-B	0.11 A (1.2 S)	ASD-SSFL-A3040-B	0.18 A (1.1 S)	ASD-SSFL-A5030-B	0.32 A (1 S)
	ASD-SSFL-A2050		ASD-SSFL-A3050		ASD-SSFL-A5040-B	
	ASD-SSFL-A2050-W	ASD-SSFL-A3050-W	ASD-SSFL-A5050			
	ASD-SSFL-A3030-W	0.18 A (1.1 S)	ASD-SSFL-A3050-B	ASD-SSFL-A5050-W		
	ASD-SSFL-A3030-B		ASD-SSFL-A5030-W	0.32 A (1 S)	ASD-SSFL-A5050-B	
AC input range	min 100 V max 130 V					
Off State Power	0 W					
Power Consumption	ASD-SSFL-A2030-B	20 W	ASD-SSFL-A3040-B	30 W	ASD-SSFL-A5030-B	50 W
	ASD-SSFL-A2050		ASD-SSFL-A3050		ASD-SSFL-A5040-B	
	ASD-SSFL-A2050-W		ASD-SSFL-A3050-W		ASD-SSFL-A5050	
	ASD-SSFL-A3030-W	30 W	ASD-SSFL-A3050-B	ASD-SSFL-A5050-W		
	ASD-SSFL-A3030-B		ASD-SSFL-A5030-W	50 W	ASD-SSFL-A5050-B	
Power Factor	> 0.9					
Output voltage	120 V					
Max output current	ASD-SSFL-A2030-B	150 mA	ASD-SSFL-A3040-B	300 mA	ASD-SSFL-A5030-B	250 mA
	ASD-SSFL-A2050		ASD-SSFL-A3050		ASD-SSFL-A5040-B	
	ASD-SSFL-A2050-W		ASD-SSFL-A3050-W		ASD-SSFL-A5050	
	ASD-SSFL-A3030-W	300 mA	ASD-SSFL-A3050-B	ASD-SSFL-A5050-W		
	ASD-SSFL-A3030-B		ASD-SSFL-A5030-W	250 mA	ASD-SSFL-A5050-B	
LED Driver Class	Class 1					
Regular and Voluntary Certifications						
5-year limited warranty						
ETL certified 5009502						

PACKAGE CONTENTS:

Description	Q-ty
LED SMD Slim Floodlight Fixture	1
Box	1
Cut Sheet	3

For most up-to-date spec sheets please refer to asd-lighting.com

ASD LIGHTING CORP

E-mail: orders@asd-lighting.com | Web site: www.asd-lighting.com





LED SMD SLIM FLOODLIGHT with arm

Slim Series

INSTALLATION GUIDE

IMPORTANT SAFETY INFORMATION:

Please read all the instructions below before installation.

- ▶ Make sure that the supply voltage corresponds to the rated product voltage.
- ▶ The product must be installed by a qualified electrician in accordance with the National Electrical Code and corresponding local codes.
- ▶ If the product is damaged, do not use it.

⚠ WARNING

RISK OF PERSONAL INJURY – READ and follow all WARNINGS and installation instructions.

Keep or give to the owner for future reference.

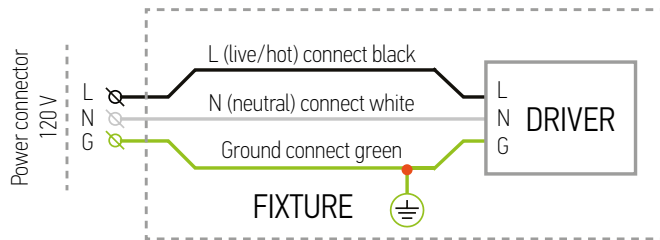
Risk of cuts: Wear gloves to prevent cuts or abrasions when removing from carton, handling, installing, and maintaining this product.

Risk of electric shock: This product must be installed in accordance with the applicable installation code by a person familiar with the construction and operation of the product and the hazards involved.

Risk of Fire: Minimum 194°F supply conductors. Consult a qualified electrician to ensure correct branch circuit conductor.

ASD® assumes no responsibility for claims arising out of improper or careless installation or handling of this product.

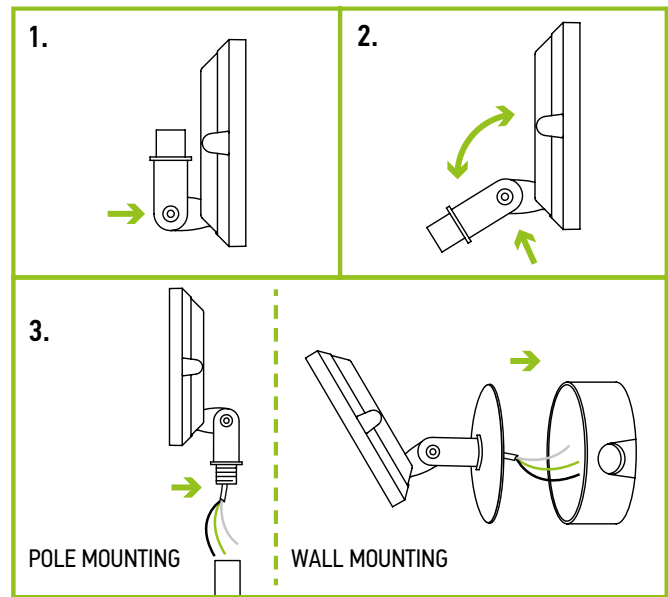
ELECTRICAL SCHEMATIC DIAGRAM:



INSTALLATION STEPS:

1. Turn off the main power. Use a screwdriver to loosen the screw on the arm.
2. Adjust the arm to your desired angle (the arm allows you to choose the necessary light direction and to set the desired angle of a lighting fixture). Tighten the screw.
3. The floodlight can be mounted directly to an electrical box or to a pole with a 1/2" threaded insert.

Connect the wires: Black to Black, White to White, Green to Green from the fixture to the existing wires in a properly installed and grounded UL listed junction box for power with suitable strain relief for power cord. Turn on the main power.



ORDERING INFORMATION

Model	UPC	Pcs per Carton	Carton Size	Carton Weight	GTIN 14 Carton
ASD-SSFL-A2030-B	819201021888	20	23" x 14.4" x 10.2"	30.3 lb	10819201021885
ASD-SSFL-A2050	819201021307	20	23" x 14.4" x 10.2"	30.3 lb	10819201021304
ASD-SSFL-A2050-W	819201021314	20	23" x 14.4" x 10.2"	30.3 lb	10819201021311
ASD-SSFL-A3030-W	819201022809	40	16.1" x 14.2" x 12.2"	33.5 lb	10819201022806
ASD-SSFL-A3030-B	819201021895	20	16.1" x 14.2" x 12.2"	33.5 lb	10819201021892
ASD-SSFL-A3040-B	819201021864	20	16.1" x 14.2" x 12.2"	33.5 lb	10819201021861
ASD-SSFL-A3050	819201021321	20	16.1" x 14.2" x 12.2"	33.5 lb	10819201021328
ASD-SSFL-A3050-W	819201021338	40	16.1" x 14.2" x 12.2"	33.5 lb	10819201021335
ASD-SSFL-A3050-B	819201022793	12	16.1" x 14.2" x 12.2"	33.5 lb	10819201022790
ASD-SSFL-A5030-W	819201022816	20	19.1" x 14.4" x 14.2"	36.1 lb	10819201022813
ASD-SSFL-A5030-B	819201021901	1	19.1" x 14.4" x 14.2"	36.1 lb	10819201021908
ASD-SSFL-A5040-B	819201021871	1	19.1" x 14.4" x 14.2"	35.7 lb	10819201021878
ASD-SSFL-A5050	819201021345	20	19.1" x 14.4" x 14.2"	35.7 lb	10819201021342
ASD-SSFL-A5050-W	819201021352	20	19.1" x 14.4" x 14.2"	35.7 lb	10819201021359
ASD-SSFL-A5050-B	819201022229	1	19.1" x 14.4" x 14.2"	35.7 lb	10819201022226

For most up-to-date spec sheets please refer to asd-lighting.com

ASD LIGHTING CORP

E-mail: orders@asd-lighting.com | Web site: www.asd-lighting.com

