



# LED SPORT LIGHT

► **DESIGN** - LED SPORT LIGHT has a die-cast aluminum housing with numerous vents on the heat sink for excellent heat dissipation. Advanced optics designed with unique multi-scale lenses provides uniform light distribution, glare-reduction maximizes the light output. CRI80+ rating provides rich and natural colors. It is designed to operate on 120-277V or 277-480V circuits with a 1-10V dimmable driver.

► Surge protection 10kV protects the fixture from voltage spikes and current surges.

► 3G vibration rated, withstands conditions with repeated vibration, making it conform to standards for roadway.

► **INSTALLATION** - This fixture is Wet Locations rated and has two mounting options with a standard floodlight bracket or a slip fitter. It comes with 6.5 ft cord. Perfect commercial or industrial solution for any outdoor sports lighting, parking lot lighting, dock lighting, high mast flood lighting, stadium lighting, and many other applications.

► **ADVANTAGES** - With calculated lifespan up to 145,000 hours, these fixtures are made to last decades under normal operation! ASD provides a 7-year limited warranty along with UL and DLC Premium certifications to guarantee top quality products and safety!

|                       |  |
|-----------------------|--|
| <i>Catalog number</i> |  |
| <i>Notes</i>          |  |
| <i>Type</i>           |  |



| Model                  | Watts | Voltage   | Dimmable | Lumens     | CCT     | Finish    | Dimensions (LxWxH)                | Beam angle | Cord   |
|------------------------|-------|-----------|----------|------------|---------|-----------|-----------------------------------|------------|--------|
| ASD-SPFL-300D50-PRM    | 300W  | 120-277 V | 0-10 V   | 44,368 lm  | 5,000 K | Black/Red | 15-11/16" x 14-1/2" x 14-1/2"     | 45°        | 6.5 ft |
| ASD-SPFL-500D50-PRM    | 500W  | 120-277 V | 1-10 V   | 64,253 lm  | 5,000 K | Black/Red | 15-11/16" x 14-1/2" x 14-1/2"     | 45°        | 6.5 ft |
| ASD-SPFL2-750D50-PRM   | 750W  | 120-277 V | 0-10 V   | 93,236 lm  | 5,000 K | Black/Red | 19-11/16" x 18-11/16" x 18-11/16" | 40°        | 6.5 ft |
| ASD-SPFL2-1000D50-PRM  | 1000W | 120-277 V | 0-10 V   | 123,035 lm | 5,000 K | Black/Red | 19-11/16" x 18-11/16" x 18-11/16" | 40°        | 6.5 ft |
| SPFLHV HIGH VOLTAGE    |       |           |          |            |         |           |                                   |            |        |
| ASD-SPFLHV-300D50-PRM  | 300W  | 277-480 V | 1-10 V   | 44,361 lm  | 5,000 K | Black/Red | 15-11/16" x 14-1/2" x 14-1/2"     | 45°        | 6.5 ft |
| ASD-SPFLHV-500D50-PRM  | 500W  | 277-480 V | 1-10 V   | 71,788 lm  | 5,000 K | Black/Red | 15-11/16" x 14-1/2" x 14-1/2"     | 45°        | 6.5 ft |
| ASD-SPFLHV-750D50-PRM  | 750W  | 277-480 V | 1-10 V   | 99,235 lm  | 5,000 K | Black/Red | 19-11/16" x 18-11/16" x 18-11/16" | 40°        | 6.5 ft |
| ASD-SPFLHV-1000D50-PRM | 1000W | 277-480 V | 0-10 V   | 133,788 lm | 5,000 K | Black/Red | 19-11/16" x 18-11/16" x 18-11/16" | 40°        | 6.5 ft |

## ORDERING INFORMATION

| Model                  | UPC          | Pcs. per carton | Carton size           | Carton weight |
|------------------------|--------------|-----------------|-----------------------|---------------|
| ASD-SPFL-300D50-PRM    | 819201024674 | 1               | 17.7" x 17.7" x 14"   | 34.8 lbs      |
| ASD-SPFL-500D50-PRM    | 819201024681 | 1               | 17.7" x 17.7" x 14"   | 36.4 lbs      |
| ASD-SPFL2-750D50-PRM   | 810050735186 | 1               | 24.4" x 22.4" x 16.3" | 64.8 lbs      |
| ASD-SPFL2-1000D50-PRM  | 810050735179 | 1               | 24.4" x 22.4" x 16.3" | 64.8 lbs      |
| SPFLHV HIGH VOLTAGE    |              |                 |                       |               |
| ASD-SPFLHV-300D50-PRM  | 819201026272 | 1               | 17.7" x 17.7" x 14"   | 35.1 lbs      |
| ASD-SPFLHV-500D50-PRM  | 819201025749 | 1               | 17.7" x 17.7" x 14"   | 36.4 lbs      |
| ASD-SPFLHV-750D50-PRM  | 819201026289 | 1               | 24.4" x 22.4" x 16.3" | 66.2 lbs      |
| ASD-SPFLHV-1000D50-PRM | 810050737340 | 1               | 24.4" x 22.4" x 16.3" | 66.2 lbs      |

## ACCESSORIES:

| Model                 | Description   | UPC          | Pcs. per carton | Carton size           | Carton weight | GTIN 14        |
|-----------------------|---|--------------|-----------------|-----------------------|---------------|----------------|
| ASD-SF-SPFL-300/500   | Slip fitter with straight arm bracket for 300-500W  | 819201026418 | 5               | 19.9" x 15.9" x 12.4" | 42.5 lbs      | 10819201026415 |
| ASD-SF-SPFL2          | Slip fitter with straight arm bracket for 750-1000W | 819201026500 | 4               | 23.8" x 15.7" x 17.9" | 68.3 lbs      | 10819201026507 |
| ASD-LS-SPFL           | Laser pointer                                       | 819201026432 | 10              | 12.2" x 12.2" x 7.5"  | 12.8 lbs      | 10819201026439 |
| ASD-L30-SPFL-300/500  | 30° Lens for 300-500W                               | 819201024704 | 20              | 12.2" x 12.2" x 8.46" | 11.02 lbs     | 10819201024701 |
| ASD-L15-SPFL-600/1250 | 15° Lens for 600-1250W                              | 819201024711 | 20              | 12.2" x 12.2" x 8.46" | 12.35 lbs     | 10819201024718 |

For most up-to-date spec sheets please refer to [asd-lighting.com](http://asd-lighting.com)

ASD LIGHTING CORP

E-mail: [orders@asd-lighting.com](mailto:orders@asd-lighting.com) | Web site: [www.asd-lighting.com](http://www.asd-lighting.com)





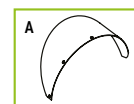
# LED SPORT LIGHT

## PRODUCT SPECIFICATIONS:

| Construction & Materials   |                                  |                    |   |                    |                        |                    |
|--|----------------------------------|--------------------|---|--------------------|------------------------|--------------------|
| Housing  | Aluminum                         |                    |   |                    |                        |                    |
| Lens   | PC                               |                    |   |                    |                        |                    |
| Visor  | SPCC                             |                    |   |                    |                        |                    |
| Finish   | Black/Red                        |                    |   |                    |                        |                    |
| Weight   | ASD-SPFL-300D50-PRM              | 29.6 lbs (13.4 kg) | ASD-SPFL2-1000D50-PRM   | 54.5 lbs (24.7 kg) | ASD-SPFLHV-750D50-PRM  | 55.9 lbs (25.4 kg) |
|  | ASD-SPFL-500D50-PRM              | 31.2 lbs (14.2 kg) | ASD-SPFLHV-300D50-PRM   | 29.9 lbs (13.6 kg) | ASD-SPFLHV-1000D50-PRM |                    |
|  | ASD-SPFL2-750D50-PRM             | 54.5 lbs (24.7 kg) | ASD-SPFLHV-500D50-PRM   | 31.3 lbs (14.2 kg) |                        |                    |
| Environmental system   |                                  |                    |   |                    |                        |                    |
| Work environment   | Suitable for Wet Locations, IP66 |                    |   |                    |                        |                    |
| Operating temperature  | -40°F to 122°F (-40°C to 50°C)   |                    |   |                    |                        |                    |
| L-70 Life  | R > 54,000 hrs; C > 145,000 hrs  |                    | for ASD-SPFLHV-1000D50-PRM model: R > 60,000 hrs; C > 429,000 hrs |                    |                        |                    |
| Optical system   |                                  |                    |   |                    |                        |                    |
| Luminous flux  | ASD-SPFL-300D50-PRM              | 44,368 lm          | ASD-SPFL2-1000D50-PRM   | 123,035 lm         | ASD-SPFLHV-750D50-PRM  | 99,235 lm          |
|  | ASD-SPFL-500D50-PRM              | 64,253 lm          | ASD-SPFLHV-300D50-PRM   | 44,361 lm          | ASD-SPFLHV-1000D50-PRM | 133,788 lm         |
|  | ASD-SPFL2-750D50-PRM             | 93,236 lm          | ASD-SPFLHV-500D50-PRM   | 71,788 lm          |                        |                    |
| Color temperature  | 5,000 K                          |                    |   |                    |                        |                    |
| CRI  | ASD-SPFL-300D50-PRM              | > 80               | ASD-SPFL2-1000D50-PRM   | > 80               | ASD-SPFLHV-750D50-PRM  | > 70               |
|  | ASD-SPFL-500D50-PRM              |                    | ASD-SPFLHV-300D50-PRM   |                    | ASD-SPFLHV-1000D50-PRM |                    |
|  | ASD-SPFL2-750D50-PRM             |                    | ASD-SPFLHV-500D50-PRM   |                    |                        |                    |
| Electrical system  |                                  |                    |   |                    |                        |                    |
| Input voltage  | Regular voltage: 120-277 V       |                    |   |                    |                        |                    |
|  | High voltage: 277-480 V          |                    |   |                    |                        |                    |
| Max input current  | ASD-SPFL-300D50-PRM              | 2.5 A              | ASD-SPFL2-1000D50-PRM   | 8.3 A              | ASD-SPFLHV-750D50-PRM  | 2.7 A              |
|  | ASD-SPFL-500D50-PRM              | 4.2 A              | ASD-SPFLHV-300D50-PRM   | 1.1 A              | ASD-SPFLHV-1000D50-PRM | 3.6 A              |
|  | ASD-SPFL2-750D50-PRM             | 6.25 A             | ASD-SPFLHV-500D50-PRM   | 1.8 A              |                        |                    |
| Inrush current (Action time)   | ASD-SPFL-300D50-PRM              | 70 A (0.57 S)      | ASD-SPFL2-1000D50-PRM   | 120 A (0.6 S)      | ASD-SPFLHV-750D50-PRM  | 50 A (0.53 S)      |
|  | ASD-SPFL-500D50-PRM              | 75 A (0.57 S)      | ASD-SPFLHV-300D50-PRM   | 50 A (0.85 S)      | ASD-SPFLHV-1000D50-PRM |                    |
|  | ASD-SPFL2-750D50-PRM             | 120 A (0.6 S)      | ASD-SPFLHV-500D50-PRM   | 50 A (0.53 S)      |                        |                    |
| Off state power  | 0W                               |                    |   |                    |                        |                    |
| Power consumption  | ASD-SPFL-300D50-PRM              | 300W               | ASD-SPFL2-1000D50-PRM   | 1000W              | ASD-SPFLHV-750D50-PRM  | 750W               |
|  | ASD-SPFL-500D50-PRM              | 500W               | ASD-SPFLHV-300D50-PRM   | 300W               | ASD-SPFLHV-1000D50-PRM | 1000W              |
|  | ASD-SPFL2-750D50-PRM             | 750W               | ASD-SPFLHV-500D50-PRM   | 500W               |                        |                    |
| Power factor   | > 0.9                            |                    |   |                    |                        |                    |
| Output voltage   | SPFL: 48 V                       |                    | SPFL2: 64 V   |                    |                        |                    |
| Max output current   | ASD-SPFL-300D50-PRM              | 6.0 A              | ASD-SPFL2-1000D50-PRM   | 14.7 A             | ASD-SPFLHV-750D50-PRM  | 14.5 A             |
|  | ASD-SPFL-500D50-PRM              | 9.7 A              | ASD-SPFLHV-300D50-PRM   | 5.9 A              | ASD-SPFLHV-1000D50-PRM | 19.27 A            |
|  | ASD-SPFL2-750D50-PRM             | 11 A               | ASD-SPFLHV-500D50-PRM   | 9.7 A              |                        |                    |
| Surge protection DM/CM   | 10 kV / 10 kV                    |                    |   |                    |                        |                    |
| Dimming compatible controls  |                                  |                    | Effective projected area (EPA)                                    |                    |                        |                    |
| Brand  | Leviton                          | Lutron             | Standard bracket  | 300-500W           | 1.371 ft <sup>2</sup>  |                    |
|  | ZS057-D0Z                        | MS-Z101            |   | 600-1250W          | 2.021 ft <sup>2</sup>  |                    |
| Models   | DD710                            | DVSTV              |   |                    |                        |                    |
|  | DS710                            | NTSTV              |   |                    |                        |                    |
|  | IP710                            | DVTV               |   |                    |                        |                    |
|  |                                  |                    |   |                    |                        |                    |
| Regular and voluntary certifications   |                                  |                    |   |                    |                        |                    |
| Warranty 7-years for operating less than 19Hrs per day, with ambient temperature < 40° |                                  |                    |   |                    |                        |                    |
| DesignLights Consortium (DLC) listed (Classification: Premium)                         |                                  |                    |   |                    |                        |                    |
| Main: Outdoor luminaires; General application: Very high output;                       |                                  |                    |   |                    |                        |                    |
| Primary use: Architectural flood and spot luminaires                                   |                                  |                    |   |                    |                        |                    |
| UL listed E473804  |                                  |                    |   |                    |                        |                    |

## PACKAGE CONTENTS:

| Description             | Q-ty |
|-------------------------|------|
| LED Sport Light Fixture | 1    |
| Visor (A)               | 1    |
| Box                     | 1    |

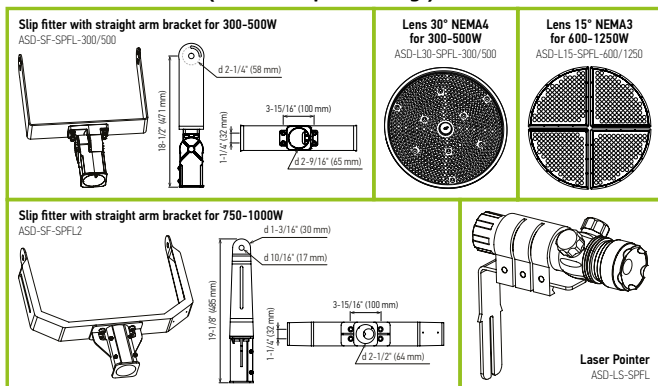


For most up-to-date spec sheets please refer to [asd-lighting.com](http://asd-lighting.com)



# LED SPORT LIGHT

## ACCESSORIES (sold separately):



## ACCESSORY COMPATIBILITY LIST:

| Accessories            | Slip-fitter with straight arm bracket for 300-500W<br>ASD-SF-SPFL-300/500 | Slip-fitter with straight arm bracket for 750-1000W<br>ASD-SF-SPFL2 | Laser pointer<br>ASD-LS-SPFL | 30° Lens for 300-500W<br>ASD-L30-SPFL-300/500 | 15° Lens for 600-1250W<br>ASD-L15-SPFL-600/1250 |
|------------------------|---|---|------------------------------|---|---|
| ASD-SPFL-300D50-PRM    | •   |   | •                            | •   |   |
| ASD-SPFL-500D50-PRM    | •   |   | •                            | •   |   |
| ASD-SPFL2-750D50-PRM   |   | •   | •                            |   | •   |
| ASD-SPFL2-1000D50-PRM  |   | •   | •                            |   | •   |
| ASD-SPFLHV-300D50-PRM  | •   |   | •                            | •   |   |
| ASD-SPFLHV-500D50-PRM  | •   |   | •                            | •   |   |
| ASD-SPFLHV-750D50-PRM  |   | •   | •                            |   | •   |
| ASD-SPFLHV-1000D50-PRM |   | •   | •                            |   | •   |

## INSTALLATION GUIDE

### IMPORTANT SAFETY INFORMATION:

Please read all the instructions below before installation.

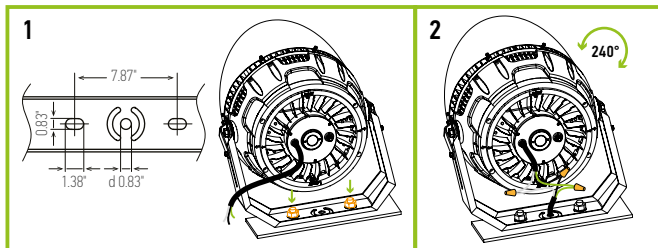
- ▶ Make sure that the supply voltage corresponds to the rated product voltage.
- ▶ The product must be installed by a qualified electrician in accordance with the National Electrical Code and corresponding local codes.
- ▶ If the product is damaged, do not use it.

### ⚠ WARNING

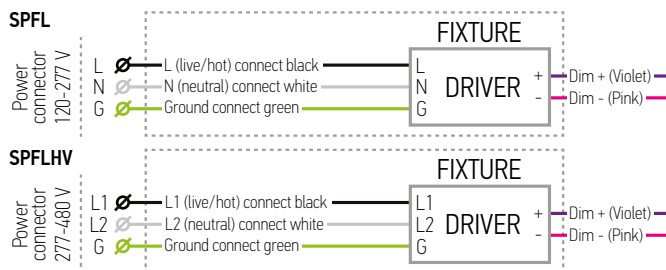
**RISK OF PERSONAL INJURY – READ and follow all WARNINGS and installation instructions.** Keep or give to the owner for future reference.  
**Risk of cuts:** Wear gloves to prevent cuts or abrasions when removing from carton, handling, installing, and maintaining this product.  
**Risk of electric shock:** This product must be installed in accordance with the applicable installation code by a person familiar with the construction and operation of the product and the hazards involved.  
**Risk of Fire:** Minimum 194°F supply conductors. Consult a qualified electrician to ensure correct branch circuit conductor.  
 ASD® assumes no responsibility for claims arising out of improper or careless Installation or handling of this product.

### INSTALLATION STEPS:

- Figure 1 shows the bolt pattern of the mount. Secure the fixture using the 2 mounting holes.
- Pull the wire through the center hole to complete the wiring. Make sure that your connection is watertight.



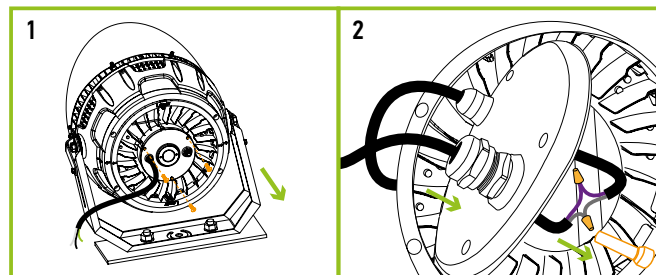
### ELECTRICAL SCHEMATIC DIAGRAM:



\* The regular voltage 120-277V fixtures can be alternatively powered without neutral by two-phase circuit with phase-to-phase voltage of 208V (L1-120V & L2-120V).  
**WARNING:** Phase-to-phase voltage should be less than 277V (160V per each phase) and more than 120V (70V per each phase)! Do not confuse Regular Voltage fixtures of 120-277V with High Voltage ones of 277-480V!

### DIMMING WIRES CONNECTION:

- Using a screw driver remove the circular plate on the back of the fixture.
- Connect the dimming wires and bring them through the back plate. Reattach cover and tighten the bolts. If the cover is installed incorrectly the warranty will be voided. Make sure that your connection is watertight.



For most up-to-date spec sheets please refer to [asd-lighting.com](http://asd-lighting.com)

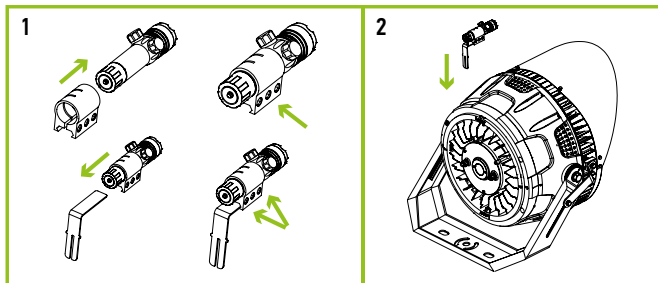


# LED SPORT LIGHT

## LASER POINTER INSTALLATION

**ASD-LS-SPFL** sold separately:

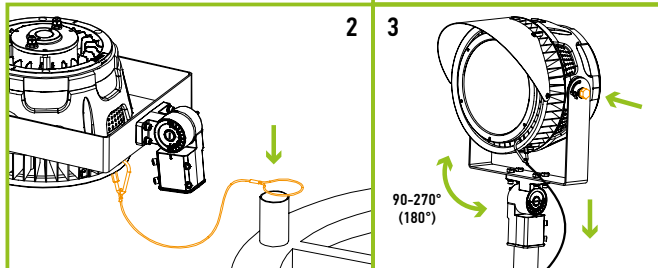
1. Attach the laser pointer to the holder. Loosen the hex screws. Slide the holder over the L bracket. Tighten the hex screws.
2. Find the mounting hole marked "Laser" on the lighting fixture. Attach.



## SLIP-FITTER 300-500W INSTALLATION

**ASD-SF-SPFL-300/500** sold separately:

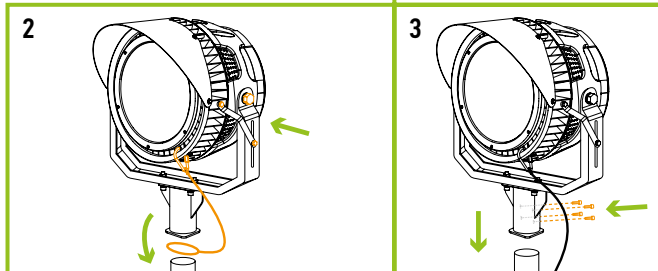
1. Use a wrench to loosen the screw on original U bracket and remove it.
2. Install the fixture onto the new bracket. Buckle the bottom of the safety cable (included with slip fitter) into the heat sink. Put the safety cable through the pole.
3. Install the fixture with slip fitter bracket on the pole and lock it. Angles can be adjusted with the slip fitter or binding bolts.



## SLIP-FITTER 750-1000W INSTALLATION

**ASD-SF-SPFL2** sold separately:

1. Use a wrench to loosen the screw on original U bracket and remove it.
2. Assemble bracket with slip-fitter and affix it with bolts. Install the fixture onto the new bracket. Buckle the bottom of safety cable (included with slip fitter) into the heat sink. Put the safety cable through the pole.
3. Install the fixture with slip fitter bracket on the pole and secure it to the pole with 4 M10 bolts.

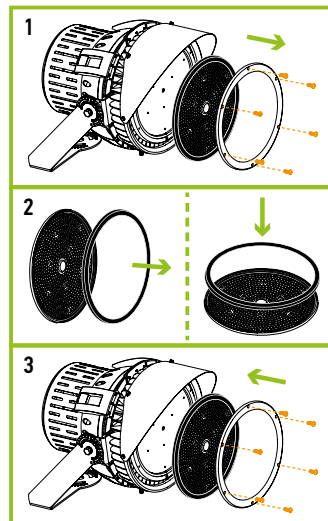
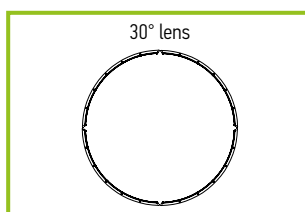


## LENS INSTALLATION FOR 300-500W

**ASD-L30-SPFL-300/500** sold separately:

1. Remove the 6 screws that hold the face ring and the lens to the fixture.
2. Remove the waterproof ring from the original lens and attach it to the new lens.
3. Reattach the new lens, waterproof ring, and face ring to the fixture with 6 screws.

| Power | 300W | 500W           |
|-------|------|----------------|
| 30°   |      | 1 pcs 30° lens |
| 45°   |      | Default        |

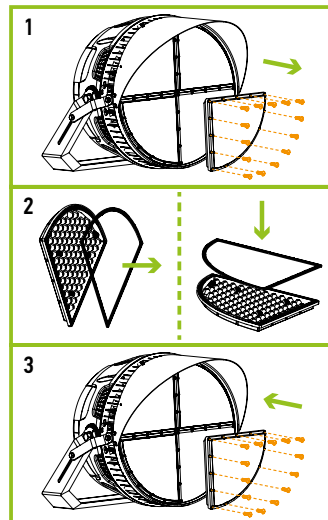
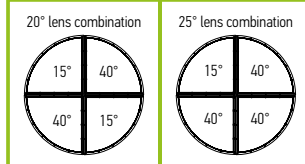


## LENS INSTALLATION FOR 750-1000W

**ASD-L15-SPFL-600/1250** sold separately:

1. Remove the 14 screws that hold each face ring and lens to the fixture (56 screws total).
2. Remove the waterproof ring from the original lens and attach it to the new lens.
3. Reattach the new lens, waterproof ring, and face ring to the fixture with 14 screws (56 screws total).

| Power | 750W | 1000W                           |
|-------|------|---------------------------------|
| 15°   |      | 4 pcs 15° lens                  |
| 20°   |      | 2 pcs 15° lens + 2 pcs 40° lens |
| 25°   |      | 1 pcs 15° lens + 3 pcs 40° lens |
| 40°   |      | Default                         |



For most up-to-date spec sheets please refer to [asd-lighting.com](http://asd-lighting.com)