



LED OUTDOOR WALL SCONCE

► **DESIGN & OPTIONS** - LED OUTDOOR WALL SCONCE has a modern, multipurpose design and a sleek look with efficient lighting. The durable aluminum base is highly resistant to rust and the clear seeded glass shade filled with air bubbles creates a luxurious glow. It is also CCT adjustable, letting you set it to 3000K, 4000K or 5000K with a simple switch. The dimmable driver and 180° beam angle ensure smooth and even lighting for any room. It comes in 13" and 18" sizes with a BLACK finish.

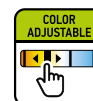
► **INSTALLATION** - Installation is quick and easy: just attach the mounting plate to the outlet box with screws, connect the wires, and fasten the fixture to the mounting plate. All necessary installation accessories are provided. Refer to install instructions for detailed steps.

► **APPLICATION** - This LED OUTDOOR WALL SCONCE is an ideal maintenance-free solution for residential and commercial applications. It creates a cozy ambience that is perfect for indoor and outdoor projects such as decks, front doors, porches, gardens, corridors, balconies, villas, and walkways. The fixture is Wet location rated and suitable for severe weather conditions.

► **ENERGY SAVINGS & EFFICIENCY** - Replacing an incandescent fixture with LED OUTDOOR WALL SCONCE can save you 8 times as much on your current energy bill. With a lifespan of 50,000 hours, these fixtures are made to last decades under normal operation! This fixture will save you a significant amount of money in its lifetime.

► **CERTIFICATION & WARRANTY** - Buy with confidence: ASD provides a 5-year warranty along with ETL certification to guarantee top quality products and safety!

Catalog number	
Notes	
Type	



PRODUCT LEGEND:

Family	Modification	Glass	Size	Dimmable	Watts	CCT	Finish
ASD-LWS	26	X	XX	X	XX	XX	XX
LED Outdoor Wall Sconce		S = Clear Seeded	13 = 13 inch 18 = 18 inch	D = Dimmable	12 = 11.5 W	CC = 3,000/4,000/5,000 K	BK = Black

LED OUTDOOR WALL SCONCE:

Model	Size	Watts	Voltage	Dimmable	Lumens	CCT	Finish	Dimensions (LxWxH)
ASD-LWS26S-13D12CC-BK	13 inch	11.5 W	120 V	TRIAC	500 lm	3,000/4,000/5,000 K	Black	13 3/4" x 4 3/4" x 2 1/2"
ASD-LWS26S-18D12CC-BK	18 inch	11.5 W	120 V	TRIAC	500 lm	3,000/4,000/5,000 K	Black	18" x 4 3/4" x 2 1/2"

ORDERING INFORMATION:

Model	UPC	Pcs in middle box	Middle box Size	Middle box Weight	GTIN 14 for Middle box	Pcs. per Carton	Carton Size	Carton Weight	GTIN 14 for Carton
ASD-LWS26S-13D12CC-BK	810050734868	2	14.8" x 10.2" x 5.7"	8.9 lb	10810050734865	4	15.6" x 12" x 10.8"	18.8 lb	20810050734862
ASD-LWS26S-18D12CC-BK	810050734875	2	18.9" x 10.2" x 5.7"	11 lb	10810050734872	4	19.7" x 12" x 10.8"	23.1 lb	20810050734879

For most up-to-date spec sheets please refer to asd-lighting.com

ASD LIGHTING CORP

E-mail: orders@asd-lighting.com | Web site: www.asd-lighting.com





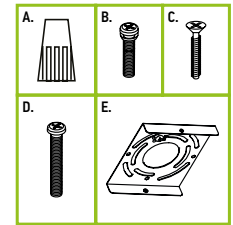
LED OUTDOOR WALL SCONCE

PRODUCT SPECIFICATIONS:

Construction & Materials			Electrical System	
Housing	Aluminum		Input Voltage	120 V
Lens	Clear Seeded Glass		Max input current	0.16 A
Finish Color	Black		Inrush current (Action time)	0.1 A (0.1 S)
Weight	ASD-LWS26S-13D12CC-BK	3.8 lb (1.7 kg)	AC input range	min 108 V max 132 V
	ASD-LWS26S-18D12CC-BK	4.7 lb (2.2 kg)	Off State Power	0 W
Environmental System			Power Consumption	11.5 W
Work Environment	Suitable for Wet Locations		Power Factor	> 0.9
Operating Temperature	-4°F to 122°F (-20°C to 50°C)		Output voltage	36 V
L-70 Life	> 50,000 hrs		Driver output current	300 mA
Optical System			LED Driver Class	Class 2
Luminous Flux	500 lm			
Color Temperature	3,000/4,000/5,000 K			
CRI	> 80			
Dimming range				
10-100%				
Dimming compatible controls				
Brand	Lutron	Leviton		
Models	TGCL-153P	MACL-153MLH	DSL06	
	CTCL-153P	DVCL-153PR	RNL06	
	P-PKG1W	STCL-153PH		
	PD-6WCL			
Regular and Voluntary Certifications				
5-year limited warranty				
cETLus certified				

PACKAGE CONTENTS:

Description	Q-ty
LED Outdoor Wall Sconce	1
Wire Nut (A)	3
Back plate screw (B)	2
Black screw (C)	2
Mounting screw (D)	2
Mounting plate (E)	1
Box	1
Cut sheet	2



INSTALLATION GUIDE

IMPORTANT SAFETY INFORMATION:

Please read all the instructions below before installation.

- ▶ Make sure that the supply voltage corresponds to the rated product voltage.
- ▶ The product must be installed by a qualified electrician in accordance with the National Electrical Code and corresponding local codes.
- ▶ If the product is damaged, do not use it.

⚠ WARNING

RISK OF PERSONAL INJURY – READ and follow all WARNINGS and installation instructions.

Keep or give to the owner for future reference.

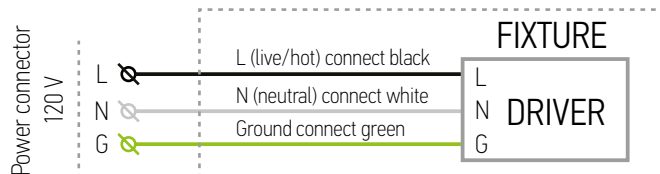
Risk of cuts: Wear gloves to prevent cuts or abrasions when removing from carton, handling, installing, and maintaining this product.

Risk of electric shock: This product must be installed in accordance with the applicable installation code by a person familiar with the construction and operation of the product and the hazards involved.

Risk of Fire: Minimum 194°F supply conductors. Consult a qualified electrician to ensure correct branch circuit conductor.

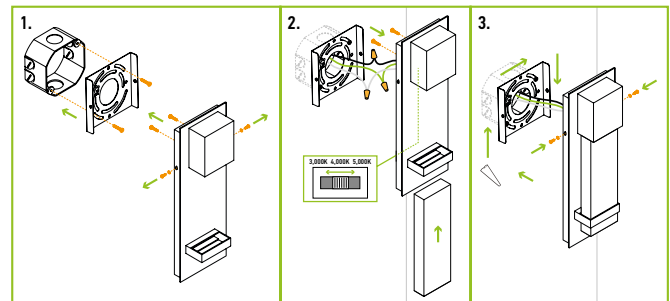
ASD® assumes no responsibility for claims arising out of improper or careless installation or handling of this product.

ELECTRICAL SCHEMATIC DIAGRAM:



INSTALLATION STEPS:

1. Remove the mounting plate by unscrewing the black screws from both sides of the fixture. Unscrew the two screws from the back plate of the fixture. Attach the mounting plate to the outlet box using two mounting screws.
2. Slide the glass through the bracket at the base of the fixture until it fits. Attach the glass by using two screws on the back plate of the fixture. Choose needed color temperature by adjusting switch position. Connect the wires: Black to Black, White to White, Ground to Ground. Secure the connection with wire nuts.
3. Attach the fixture to the mounting plate using two black screws on both sides. Before tightening the screws, try to fit the fixture to ensure the appropriate holes match. For outdoor locations it is recommended to use silicone (not included) shown in the picture below.



For most up-to-date spec sheets please refer to asd-lighting.com