



# LED SEMI-CUTOFF WALLPACK

ASD Semi-Cutoff Wallpack is the perfect blend of modern and traditional light. The innovative LED technology inside provides long-lasting bright light, while the exterior is designed to cover the footprint of old metal halide fixtures. The ASD Semi-Cutoff Wallpack is the ideal outdoor fixture for parking lots, warehouses commercial buildings, hospitals, hotels, public areas, walkways and entrances. This fixture is lightweight which makes it easier to install anywhere you need it.

Catalog number	
Notes	
Type	

## FEATURES AND BENEFITS:

- ▶ Optional photocell available for increased energy savings
- ▶ Includes built-in bubble level
- ▶ IP65 Rated for wet location
- ▶ Operating temperature of -4°F to 113°F/ of -20°C to 45°C
- ▶ Aluminum body, gasket seal
- ▶ No maintenance
- ▶ Easy to install, includes built in bubble level
- ▶ L-70 Life R > 36,000 hrs; C > 141,000
- ▶ cULus certified
- ▶ 5 Year warranty



## PRODUCT LEGEND:

Family	Modification	Voltage	Watts		Dimmable	CCT	Finish	Series
ASD-WLP	07	XX	XX		X	XX	XX	XXX
LED Semi-Cutoff Wallpack		Blank = 120-277 V HV = 277-480 V	40 = 40 W 55 = 55 W	60 = 60 W 80 = 80 W	N = Non-dimmable D = Dimmable	30 = 3,000 K 50 = 5,000 K	B = Bronze	Blank = Standard PRM = Premium

## LED SEMI-CUTOFF WALLPACK:

Model	Watts	Voltage	Dimmable	CCT	Lumens	Dimensions (LxWxH)	DLC
ASD-WLP07-40N30B	40 W	120-277 V	No	3,000 K	5,068 lm	9 3/8" x 9 7/8" x 14 1/4"	Standard
ASD-WLP07-55N30B	55 W	120-277 V	No	3,000 K	7,007 lm	9 3/8" x 9 7/8" x 14 1/4"	Standard
ASD-WLP07-40N50B-PRM	40 W	120-277 V	No	5,000 K	5,490 lm	9 3/8" x 9 7/8" x 14 1/4"	Premium
ASD-WLP07-55N50B-PRM	55 W	120-277 V	No	5,000 K	7,599 lm	9 3/8" x 9 7/8" x 14 1/4"	Premium
ASD-WLP07-80N50B-PRM	80 W	120-277 V	No	5,000 K	10,113 lm	9 3/8" x 9 7/8" x 14 1/4"	Premium
ASD-WLP07HV-40D50B-PRM	40 W	277-480 V	0-10 V	5,000 K	5,631 lm	9 3/8" x 9 7/8" x 14 1/4"	Premium
ASD-WLP07HV-60D50B-PRM	60 W	277-480 V	0-10 V	5,000 K	8,201 lm	9 3/8" x 9 7/8" x 14 1/4"	Premium

For most up-to-date spec sheets please refer to [asd-lighting.com](http://asd-lighting.com)

ASD LIGHTING CORP

E-mail: [orders@asd-lighting.com](mailto:orders@asd-lighting.com) | Web site: [www.asd-lighting.com](http://www.asd-lighting.com)





# LED SEMI-CUTOFF WALLPACK

## PRODUCT SPECIFICATIONS:

Construction & Materials						
Lens	PC					
Housing	Die-Casting Aluminum					
Finish	Bronze					
Weight	ASD-WLP07-40N30B	8.4 lbs (3.8 kg)	ASD-WLP07-40N50B-PRM	8.4 lbs (3.8 kg)	ASD-WLP07HV-40D50B-PRM	8.6 lbs (3.9 kg)
	ASD-WLP07-55N30B	8.6 lbs (3.9 kg)	ASD-WLP07-55N50B-PRM	8.6 lbs (3.9 kg)	ASD-WLP07HV-60D50B-PRM	9.9 lbs (4.5 kg)
			ASD-WLP07-80N50B-PRM	9.3 lbs (4.2 kg)		
Environmental System						
Work Environment	Suitable for Wet Locations, IP65					
Operating Temperature	-4°F to 113 °F (-20°C to 45°C)					
L-70 Life	R > 36,000 hrs; C > 141,000 hrs					
Optical System						
Luminous Flux	ASD-WLP07-40N30B	5,068 lm	ASD-WLP07-40N50B-PRM	5,490 lm	ASD-WLP07HV-40D50B-PRM	5,631 lm
	ASD-WLP07-55N30B	7,007 lm	ASD-WLP07-55N50B-PRM	7,599 lm	ASD-WLP07HV-60D50B-PRM	8,201 lm
			ASD-WLP07-80N50B-PRM	10,113 lm		
Color Temperature	4,000 K, 5,000 K					
CRI	> 80					
Electrical System						
Input Voltage	Regular Voltage: 120-277 V				High Voltage: 277-480 V	
Max input current	ASD-WLP07-40N30B	0.45 A	ASD-WLP07-40N50B-PRM	0.45 A	ASD-WLP07HV-40D50B-PRM	0.15 A
	ASD-WLP07-55N30B	0.6 A	ASD-WLP07-55N50B-PRM	0.6 A	ASD-WLP07HV-60D50B-PRM	0.3 A
			ASD-WLP07-80N50B-PRM	0.85 A		
Inrush current (Action time)	ASD-WLP07-40N30B	50 A (0.38 S)	ASD-WLP07-40N50B-PRM	50 A (0.38 S)	ASD-WLP07HV-40D50B-PRM	60 A (0.43 S)
	ASD-WLP07-55N30B	60 A (0.42 S)	ASD-WLP07-55N50B-PRM	60 A (0.42 S)	ASD-WLP07HV-60D50B-PRM	70 A (0.5 S)
			ASD-WLP07-80N50B-PRM	60 A (0.45 S)		
AC input range	Regular Voltage: min 100 V max 277 V				High Voltage: min 277 V max 480 V	
Off State Power	0 W					
Power Consumption	ASD-WLP07-40N30B	40 W	ASD-WLP07-40N50B-PRM	40 W	ASD-WLP07HV-40D50B-PRM	40 W
	ASD-WLP07-55N30B	55 W	ASD-WLP07-55N50B-PRM	55 W	ASD-WLP07HV-60D50B-PRM	60 W
			ASD-WLP07-80N50B-PRM	80 W		
Power Factor	> 0.9					
Output voltage	ASD-WLP07-40N30B	28-44 V	ASD-WLP07-40N50B-PRM	28-44 V	ASD-WLP07HV-40D50B-PRM	28-44 V
	ASD-WLP07-55N30B	36-48 V	ASD-WLP07-55N50B-PRM	36-48 V	ASD-WLP07HV-60D50B-PRM	30-50 V
			ASD-WLP07-80N50B-PRM			
Max output current	ASD-WLP07-40N30B	850 mA	ASD-WLP07-40N50B-PRM	850 mA	ASD-WLP07HV-40D50B-PRM	1.15 A
	ASD-WLP07-55N30B		ASD-WLP07-55N50B-PRM		ASD-WLP07HV-60D50B-PRM	1.5 A
			ASD-WLP07-80N50B-PRM	1.6 A		
LED Driver Class	Class I					

## INSTALLATION GUIDE

### IMPORTANT SAFETY INFORMATION:

Please read all the instructions below before installation.

- ▶ Make sure that the supply voltage corresponds to the rated product voltage.
- ▶ The product must be installed by a qualified electrician in accordance with the National Electrical Code and corresponding local codes.
- ▶ If the product is damaged, do not use it.

### ⚠ WARNING

**RISK OF PERSONAL INJURY – READ and follow all WARNINGS and installation instructions.**

Keep or give to the owner for future reference.

**Risk of cuts:** Wear gloves to prevent cuts or abrasions when removing from carton, handling, installing, and maintaining this product.

**Risk of electric shock:** This product must be installed in accordance with the applicable installation code by a person familiar with the construction and operation of the product and the hazards involved.

**Risk of Fire:** Minimum 194°F supply conductors. Consult a qualified electrician to ensure correct branch circuit conductor.

ASD® assumes no responsibility for claims arising out of improper or careless installation or handling of this product.

### Warranty & Certifications

5-year limited warranty

cULus certified E473804

DesignLights Consortium (DLC) listed (Classification: Standard/Premium)

Main: Outdoor Luminaires;

General Application: Mid/High Output;

Primary Use: Outdoor Non-Cutoff and Semi-Cutoff Wall-Mounted Area Luminaires

### PACKAGE CONTENTS:

Description	Q-ty
LED Semi-Cutoff Wallpack fixture	1
Box	1
Cut Sheet	2

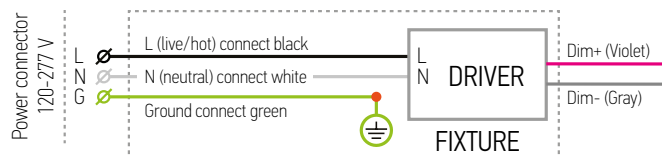
For most up-to-date spec sheets please refer to [asd-lighting.com](http://asd-lighting.com)



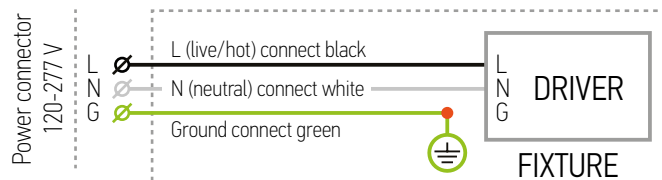
# LED SEMI-CUTOFF WALLPACK

## ELECTRICAL SCHEMATIC DIAGRAM:

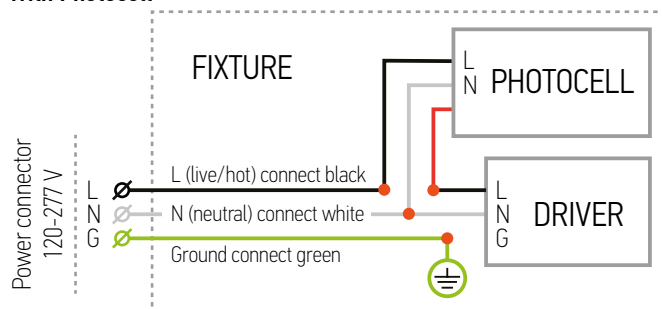
### Dimmable



### Non-dimmable

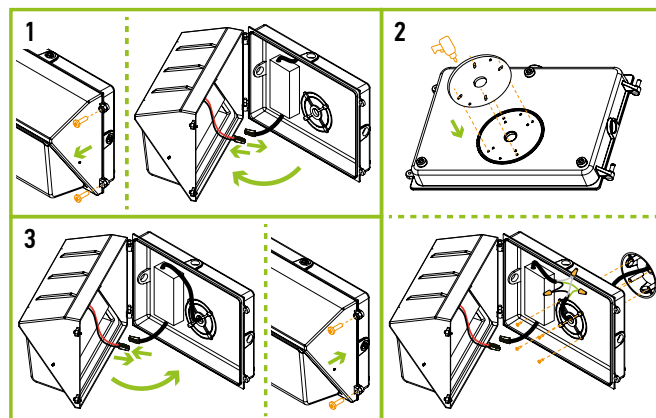


### With Photocell



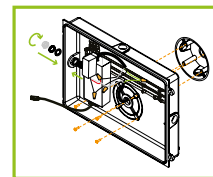
## INSTALLATION STEPS:

1. Disconnect the power before installation. Loosen the screws on the cover and take the fixture apart with a screwdriver. Carefully pull off the quick connect terminal.
2. Drill installation holes in the back plate located at the bottom of the cover, attach the EVA mat. Loosen the knockout cap at the back plate, then put the wiring through the hole, screw the back cover with junction box to the wall.
3. Make wiring connections per "Electrical Connections" section and make sure the wires are well protected. Connect the quick connect terminal, then screw the fixture to the back cover.



## PHOTOCELL INSTALLATION:

1. Take out one of the knockout caps, place the first O-ring on PC thread, install the photocell into the receptacle base.
2. Place the second O-ring, screw the plastic nut, and tighten the transparent cap on PC thread at the outer side of the fixture.
3. Connect all the photocell wires according to photocell electrical schematic diagram.



## ORDERING INFORMATION

### LED SEMI-CUTOFF WALLPACK:

Model	Watts	CCT	UPC	Pcs in one Carton	Carton Size	Carton Weight
ASD-WLP07-40N30B	40 W	3,000 K	819201023349	1	15.7" x 11.8" x 12.6"	10.8 lbs
ASD-WLP07-55N30B	55 W	3,000 K	819201023356	1	15.7" x 11.8" x 12.6"	11 lbs
ASD-WLP07-40N50B-PRM	40 W	5,000 K	819201023363	1	15.7" x 11.8" x 12.6"	10.8 lbs
ASD-WLP07-55N50B-PRM	55 W	5,000 K	819201023370	1	15.7" x 11.8" x 12.6"	11 lbs
ASD-WLP07-80N50B-PRM	80 W	5,000 K	819201023387	1	15.7" x 11.8" x 12.6"	11.9 lbs
ASD-WLP07HV-40D50B-PRM	40 W	5,000 K	819201023400	1	15.7" x 11.8" x 12.6"	11 lbs
ASD-WLP07HV-60D50B-PRM	60 W	5,000 K	819201023417	1	15.7" x 11.8" x 12.6"	12.1 lbs

### ACCESSORIES:

Model	Name	Finish	Materials	Weight	Dimensions	UPC
ASD-PC-WLP07	Photocell for LED Wallpack WLP07	Clear	Plastic	0.1 lb	2 1/8" x 1 1/4" x 2"	819201023547
Model	Pcs in middle box	GTIN 14 for Middle box	Pcs. per Carton	Carton Size	Carton Weight	GTIN 14 in Carton
ASD-PC-WLP07	10	10819201023544	100	2.8" x 2.6" x 1.4"	14.3 lbs	20819201023541

For most up-to-date spec sheets please refer to [asd-lighting.com](http://asd-lighting.com)

ASD LIGHTING CORP

E-mail: [orders@asd-lighting.com](mailto:orders@asd-lighting.com) | Web site: [www.asd-lighting.com](http://www.asd-lighting.com)

