



LED ROUND RECESSED GIMBAL

► **DESIGN & OPTIONS** - LED ROUND RECESSED GIMBAL is perfect for sloped ceilings and directional lighting as the light can pivot and rotate to illuminate the desired area. On the back of each fixture is a dip switch letting you choose either a 3,000K, 4,000K, or 5,000K color temperature. It provides smooth dimming capabilities ranging from 10% to 100% with modern LED dimmers and the 25-35° beam angle will leave no dark spots on the floor. It comes in 3" and 4" sizes with a WHITE finish.

► **INSTALLATION** - With everything you need included in one set, installation will be quick and easy. Just cut out the template, connect the J-box wiring to your light switch, and place it into your ceiling. Spring-loaded clips ensure a snug fit to the surface. This fixture is IC rated so there is no can or any other housing required. Refer to install instructions for detailed steps.

► **APPLICATION** - With 25-35° of vertical rotation, this LED ROUND RECESSED GIMBAL provides you with even and balanced lighting in your family room, bedroom, hallway, corridor, or any other common area in your living space. It is also suitable for Damp Locations, making it perfect for kitchens and garages as well. You could also use it as a complimentary light to an already existing ceiling light.

► **ENERGY SAVINGS & EFFICIENCY** - With a lifespan of 50,000 hours, these fixtures are made to last decades under normal operation! This fixture can cut your electric bill by up to 80% instantly and will save you a significant amount of money in its lifetime.

► **CERTIFICATION & WARRANTY** - Buy with confidence: ASD provides a 5-year limited warranty along with ETL certification to guarantee top quality products and safety!

Energy Star classification allows participation in rebates; please check the rebate programs available in your state.

Catalog number	
Notes	
Type	



Model	Size	Watts	Dimmable	Lumens	CCT	Finish	Dimensions	Beam angle
ASD-LGBR-3D7CC-WH	3 inch	7W	TRIAC	490/607/526 lm	3CCT (3,000/4,000/5,000 K)	White	3-3/8" x 1-3/4"	35°
ASD-LGBR-4D12CC-WH	4 inch	12W	TRIAC	900/1,081/1,043 lm	3CCT (3,000/4,000/5,000 K)	White	5-1/16" x 2-7/16"	25°

ORDERING INFORMATION

Model	UPC	Pcs. in middle box	Middle box size	Middle box weight	GTIN 14 in middle box	Pcs. per carton	Carton size	Carton weight	GTIN 14 in carton
ASD-LGBR-3D7CC-WH	810050734691	6	10.6" x 4.5" x 7.9"	5.4 lb	10810050734698	12	11.2" x 9.6" x 8.5"	11.7 lb	20810050734695
ASD-LGBR-4D12CC-WH	810050734707	6	13" x 5.6" x 11"	10.1 lb	10810050734704	12	13.6" x 12" x 11.6"	21.3 lb	20810050734701

ACCESSORIES:

Model	Name	Weight	Dimensions	UPC
ASD-MPLR-346-SC	New construction mounting plate with round holes and sliding clips	1.1 lb	14-3/8" x 10-9/16" x 1-5/8"	810050731577
ASD-MPLR-346-FA	New construction flat mounting plate with an asymmetric round hole	0.9 lb	13-1/4" x 9-1/16"	810050733854
ASD-MPLR-346-FS	New construction flat mounting plate with a symmetric round hole	1 lb	26" x 8-1/4"	810050733878

Model	Pcs. in middle box	Middle box size	Middle box weight	GTIN 14 in middle box	Pcs. per carton	Carton size	Carton weight	GTIN 14 in carton
ASD-MPLR-346-SC	6	15" x 11.2" x 7.5"	7.7 lb	10810050731574	12	23.2" x 15.6" x 8.3"	17 lb	20810050731571
ASD-MPLR-346-FA	6	9.3" x 0.6" x 13.6"	5.6 lb	10810050733851	24	14.4" x 9.8" x 3.1"	22.5 lb	20810050733858
ASD-MPLR-346-FS	6	8.5" x 0.6" x 26.4"	6.1 lb	10810050733875	24	27.2" x 9.1" x 3.1"	25.2 lb	20810050733872

For most up-to-date spec sheets please refer to asd-lighting.com



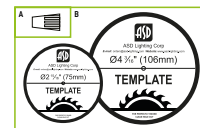
LED ROUND RECESSED GIMBAL

PRODUCT SPECIFICATIONS:

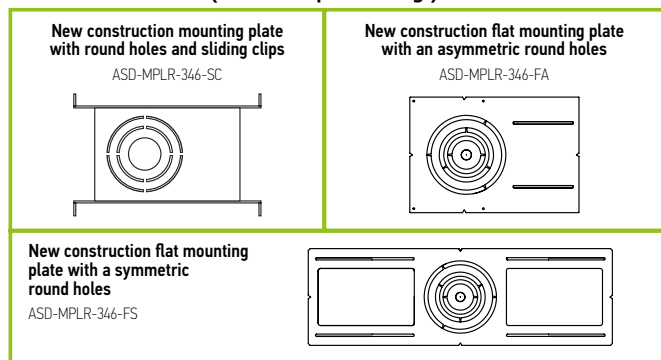
Construction & Materials			Electrical system		
Housing	Aluminum		Input voltage	120 V	
Lens	Acrylic		Max input current	ASD-LGBR-3D7CC-WH	0.08 A
Finish	White			ASD-LGBR-4D12CC-WH	0.12 A
Weight	ASD-LGBR-3D7CC-WH	0.8 lb (0.4 kg)	Inrush current (Action time)	ASD-LGBR-3D7CC-WH	0.08 A (0.06 S)
	ASD-LGBR-4D12CC-WH	1.5 lb (0.7 kg)		ASD-LGBR-4D12CC-WH	0.12 A (0.1 S)
Environmental system			Off state power	0W	
Work environment	Suitable for Damp Locations		Power consumption	ASD-LGBR-3D7CC-WH	7W
Operating Temperature	14°F to 113°F (-10°C to 45°C)			ASD-LGBR-4D12CC-WH	12W
L-70 Life	> 50,000 hrs		Power factor	> 0.9	
Optical system			Output voltage	ASD-LGBR-3D7CC-WH	18-32 V
Luminous flux	ASD-LGBR-3D7CC-WH	490/607/526 lm		ASD-LGBR-4D12CC-WH	32-40 V
	ASD-LGBR-4D12CC-WH	900/1,081/1,043 lm	Max output current	ASD-LGBR-3D7CC-WH	0.225 A
Color temperature	3CCT (3,000/4,000/5,000 K)			ASD-LGBR-4D12CC-WH	0.285 A
CRI	> 80				
Dimming range					
10-100%					
Dimming compatible controls					
Brand	Lutron	Leviton			
Models	CTELV-303P-WH	SELV-300P	6674		
	DVELV-300P				
Regular and voluntary certifications					
5-year limited warranty					
Energy Star listed					
cETLus certified 3194213					

PACKAGE CONTENTS:

Description	Q-ty
LED Round Recessed Gimbal	1
Wire nut (A)	3
Template for 3 inch or 4 inch (B)	1
Box	1



ACCESSORIES (sold separately):



ACCESSORY COMPATIBILITY LIST:

Accessories	New construction mounting plate with round holes and sliding clips ASD-MPLR-346-SC	New construction flat mounting plate with an asymmetric round holes ASD-MPLR-346-FA	New construction flat mounting plate with a symmetric round holes ASD-MPLR-346-FS
Models			
ASD-LGBR-3D7CC-WH	•	•	•
ASD-LGBR-4D12CC-WH	•	•	•

INSTALLATION GUIDE

IMPORTANT SAFETY INFORMATION:

Please read all the instructions below before installation.

- ▶ Make sure that the supply voltage corresponds to the rated product voltage.
- ▶ The product must be installed by a qualified electrician in accordance with the National Electrical Code and corresponding local codes.
- ▶ If the product is damaged, do not use it.

⚠ WARNING

RISK OF PERSONAL INJURY – READ and follow all WARNINGS and installation instructions. Keep or give to the owner for future reference.

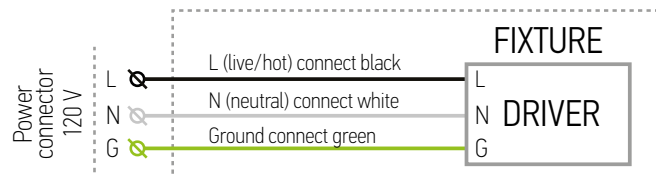
Risk of cuts: Wear gloves to prevent cuts or abrasions when removing from carton, handling, installing, and maintaining this product.

Risk of electric shock: This product must be installed in accordance with the applicable installation code by a person familiar with the construction and operation of the product and the hazards involved.

Risk of Fire: Minimum 194°F supply conductors. Consult a qualified electrician to ensure correct branch circuit conductor.

ASD® assumes no responsibility for claims arising out of improper or careless installation or handling of this product.

ELECTRICAL SCHEMATIC DIAGRAM:



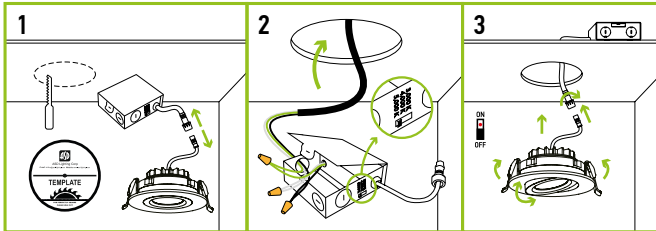
For most up-to-date spec sheets please refer to asd-lighting.com



LED ROUND RECESSED GIMBAL

INSTALLATION STEPS:

1. Use template to cut an appropriate sized hole. Disconnect the fixture from the junction box.
2. Open junction box. Connect the wires: Black to Black, White to White, Green to Green. Secure the connection with wire nuts. Choose needed color temperature by adjusting the switch. Close the junction box.
3. Insert the junction box into the cut hole, leaving the connection cable outside. Connect the fixture to the junction box by inserting the cable and securing it with a cap. Push the spring loaded clips upwards and insert the fixture base in to the mounting hole. Turn and angle the light as you need.



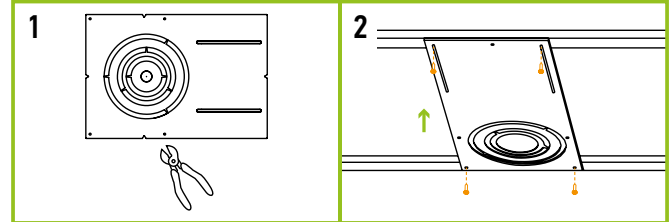
* The fixture is suitable for ceiling thickness of 10-25 mm.

MOUNTING PLATE INSTALLATION

ASD-MPLR-346-SC ASD-MPLR-346-SC ASD-MPLR-346-FA

sold separately:

1. Remove the metal ring from the mounting plate according to the size of fixture.
2. Place the mounting plate and secure its position with the screws on the beams.



For most up-to-date spec sheets please refer to asd-lighting.com

ASD LIGHTING CORP

E-mail: orders@asd-lighting.com | Web site: www.asd-lighting.com

