



LED SPORT LIGHT

► **DESIGN** - LED SPORT LIGHT has a die-cast aluminum housing with numerous vents on the heat sink for excellent heat dissipation. Advanced optics designed with unique multi-scale lenses provides uniform light distribution, glare-reduction maximizes the light output. CRI80+ rating provides rich and natural colors. It is designed to operate on 120-277V or 200-480V circuits with a 0-10V dimmable driver.

► **3G** - Vibration rated, withstands conditions with repeated vibration, making it conform to standards for roadway.

► **DMX CONTROL** - Specified models go with DMX control option. Using DMX protocol you can create visual effects the way you like both for White color or RGBW models.

► **INSTALLATION** - This fixture is Wet locations rated and has two mounting options with a standard floodlight bracket or a slip fitter. It comes with 10 ft cord. Perfect commercial or industrial solution for any outdoor sports lighting, parking lot lighting, dock lighting, high mast flood lighting, stadium lighting, and many other applications.

► **ADVANTAGES** - With calculated lifespan up to 167,000 hours, these fixtures are made to last decades under normal operation! ASD provides a 7-year limited warranty along with UL and DLC Premium certifications to guarantee top quality products and safety!



PRODUCT PRESENTATION:

Model	Power	Voltage	Dimming	Lumens	CCT	Finish	Dimensions	Certification
SPFL7								
ASD-SPFL7-300D50	300W	120-277 V	0-10 V	44,914 lm	5,000 K	Black	17-5/8" x 16-1/8" x 16-1/16"	UL (E473804), DLC Premium
ASD-SPFL7-A500D50	300/400/500W	120-277 V	0-10 V	up to 75,057 lm	5,000 K	Black	17-5/8" x 16-1/8" x 16-1/16"	UL (E473804), DLC Premium
SPFL7-HV								
ASD-SPFL7-HV-A500D50	300/400/500W	200-480V	0-10 V	up to 75,057 lm	5,000 K	Black	17-5/8" x 16-1/8" x 16-1/16"	UL (E473804), DLC Premium
ASD-SPFL7-HV-A750D50	600/680/750W	200-480V	0-10 V	up to 113,665 lm	5,000 K	Black	31" x 17-7/8" x 17-3/4"	UL (E473804), DLC Premium
ASD-SPFL7-HV-A1000D50	600/750/1000W	200-480V	0-10 V	up to 149,877 lm	5,000 K	Black	37-1/4" x 22-5/8" x 21-1/4"	UL (E473804), DLC Premium
ASD-SPFL7-HV-A1300D50	1000/1200/1300W	200-480V	0-10 V	up to 197,827 lm	5,000 K	Black	37-1/4" x 22-5/8" x 21-1/4"	UL (E473804), DLC Premium
SPFL7-HV DMX								
ASD-SPFL7HV-450RGBW-DMX	450W	200-480V	DMX	up to 28,979 lm	Red-Green-Blue-2,700K-6,500 K	Black	22-5/8" x 16-1/8" x 16"	UL (E473804), DLC Premium
ASD-SPFL7HV-500D50-DMX	500W	200-480V	DMX	75,057 lm	5,000 K	Black	17-5/8" x 16-1/8" x 10-15/16"	UL (E473804), DLC Premium

For detailed luminous flux information please refer to Annex 1, page 4.

TECHNICAL PARAMETERS:

Model	Max input current	Inrush current	Work environment	Operating temperature	Power factor	Surge protection	Housing	Lens	CRI
SPFL7									
ASD-SPFL7-300D50	2.7 A	50 A	Wet location	-40°F to 122°F (-40°C to 50°C)	> 0.9	10kV	Aluminum	PC	> 80
ASD-SPFL7-A500D50	4.7 A	48.6 A	Wet location	-40°F to 122°F (-40°C to 50°C)	> 0.9	10kV	Aluminum	PC	> 80
SPFL7-HV									
ASD-SPFL7-HV-A500D50	2.6 A	44.5 A	Wet location	-40°F to 122°F (-40°C to 50°C)	> 0.9	10kV	Aluminum	PC	> 80
ASD-SPFL7-HV-A750D50	3.8 A	35 A	Wet location	-40°F to 122°F (-40°C to 50°C)	> 0.9	10kV	Aluminum	PC	> 80
ASD-SPFL7-HV-A1000D50	5.1 A	35 A	Wet location	-40°F to 122°F (-40°C to 50°C)	> 0.9	10kV	Aluminum	PC	> 80
ASD-SPFL7-HV-A1300D50	7.2 A	35 A	Wet location	-40°F to 122°F (-40°C to 50°C)	> 0.9	10kV	Aluminum	PC	> 80
SPFL7-HV DMX									
ASD-SPFL7HV-450RGBW-DMX	2.5 A	7 A	Wet location	-40°F to 122°F (-40°C to 50°C)	> 0.9	10kV	Aluminum	PC	> 80
ASD-SPFL7HV-500D50-DMX	2.8 A	45 A	Wet location	-40°F to 122°F (-40°C to 50°C)	> 0.9	10kV	Aluminum	PC	> 80

For most up-to-date spec sheets please refer to asd-lighting.com

ASD[®] LED SPORT LIGHT

DIMMING COMPATIBLE CONTROLS:

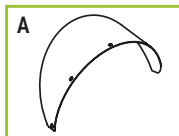
Brand	Leviton	Lutron		
Models	ZS057-DOZ	DS710	MS-Z101	NTSTV
	DD710	IP710	DVSTV	DVTV

EFFECTIVE PROJECTED AREA:

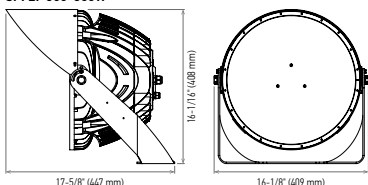
Fixture quantity	Model		
Single	300-500W	750W	1000W
	0.85/1.28/1.36 ft ²	0.80/1.92/1.25 ft ²	1.02/2.94/1.67 ft ²

PACKAGE CONTENTS:

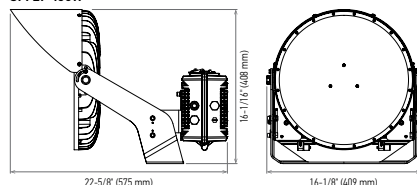
Description	Quantity
LED Sport Light	1
Visor (A)	1
Box	1



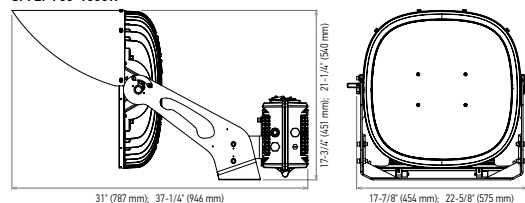
SPFL7 300-500W



SPFL7 450W



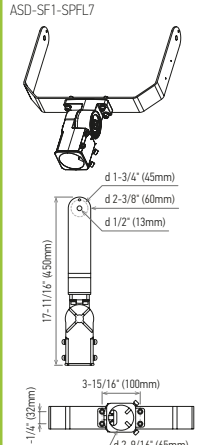
SPFL7 750-1300W



ACCESSORIES (sold separately):

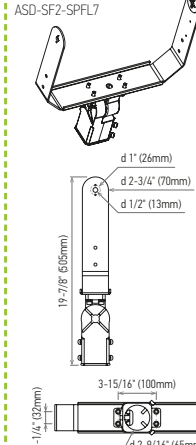
Slip fitter

for 300-500W
ASD-SF1-SPFL7



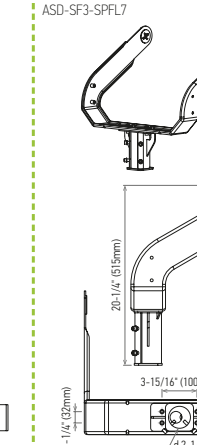
Dimensions: d 1-3/4" (45mm), d 2-3/8" (60mm), d 1/2" (13mm), 17-1/16" (430mm), 3-15/16" (100mm), 1-1/4" (32mm), d 2-9/16" (65mm)

for 750W
ASD-SF2-SPFL7



Dimensions: d 1" (26mm), d 2-3/4" (70mm), d 1/2" (13mm), 19-7/8" (505mm), 3-15/16" (100mm), 1-1/4" (32mm), d 2-9/16" (65mm)

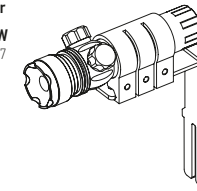
for 1000-1300W
ASD-SF3-SPFL7



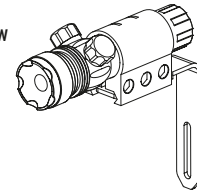
Dimensions: 70-1/4" (1780mm), 3-15/16" (100mm), 1-1/4" (32mm), d 2-1/2" (64mm)

Laser Pointer

for 300-500W
ASD-LSA-SPFL7



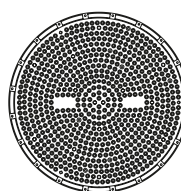
for 750-1300W
ASD-LSB-SPFL7



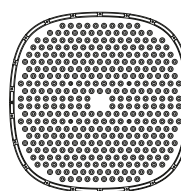
The rechargeable Li-ion 16340 battery is included.

Lens

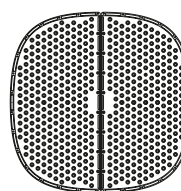
30° for 300-500W
ASD-L30-SPFL7-300/500



20° for 750W
ASD-L20B-SPFL7



20° for 1000-1300W
ASD-L20C-SPFL7



ACCESSORY COMPATIBILITY LIST:

Models	Accessories	Slip-fitter for 300-500W ASD-SF1-SPFL7	Slip-fitter for 750W ASD-SF2-SPFL7	Slip-fitter for 1000-1300W ASD-SF3-SPFL7	Laser pointer for 300-500W ASD-LSA-SPFL7	Laser pointer for 750-1300W ASD-LSB-SPFL7	Lens 30° for 300-500W ASD-L30-SPFL7-300/500	Lens 20° for 750W ASD-L20B-SPFL7	Lens 20° for 1000-1300W ASD-L20C-SPFL7
ASD-SPFL7-300D50		•			•		•		
ASD-SPFL7-A500D50		•			•		•		
ASD-SPFL7-HV-A500D50		•			•		•		
ASD-SPFL7-HV-A750D50			•			•		•	
ASD-SPFL7-HV-A1000D50				•		•			•
ASD-SPFL7-HV-A1300D50				•		•			•
ASD-SPFL7HV-450RGBW-DMX		•			•		•		
ASD-SPFL7HV-500D50-DMX		•			•		•		

For most up-to-date spec sheets please refer to asd-lighting.com



LED SPORT LIGHT

INSTALLATION GUIDE

IMPORTANT SAFETY INFORMATION:

Please read all the instructions below before installation!

- ▶ Make sure that the supply voltage corresponds to the rated product voltage.
- ▶ The product must be installed by a qualified electrician in accordance with the National Electrical Code and corresponding local codes.
- ▶ If the product is damaged, do not use it.

⚠ WARNING

Risk of personal injury – read and follow all warnings and installation instructions. Keep or give to the owner for future reference.

Risk of cuts: Wear gloves to prevent cuts or abrasions when removing from carton, handling, installing, and maintaining this product.

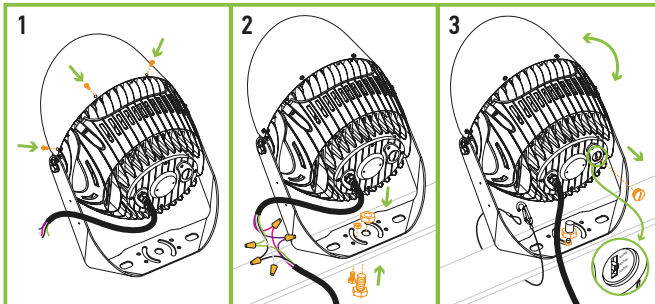
Risk of electric shock: This product must be installed in accordance with the applicable installation code by a person familiar with the construction and operation of the product and the hazards involved.

Risk of Fire: Minimum 194°F supply conductors. Consult a qualified electrician to ensure correct branch circuit conductor.

ASD® assumes no responsibility for claims arising out of improper or careless installation or handling of this product.

INSTALLATION STEPS:

1. Attach the Visor using M4x10mm for 300-500W or M5x10mm for 750-1000W screws to secure the visor onto the fixture.
2. Insert M10/M20 bolts and plain washers into the bracket. Align the rotatable bracket with the mounting structure, then secure the bracket with bolts, plain washers, and lock washers. Tighten the nuts by hand to ensure the mounting structure is secure but do not fully torque nuts until desired aiming is achieved.
3. Once the fixture is set to the desired direction, tighten the nuts fully. Set the wattage value with the switch on the back of the fixture. For installations over 10ft height use safety cable (sold separately).



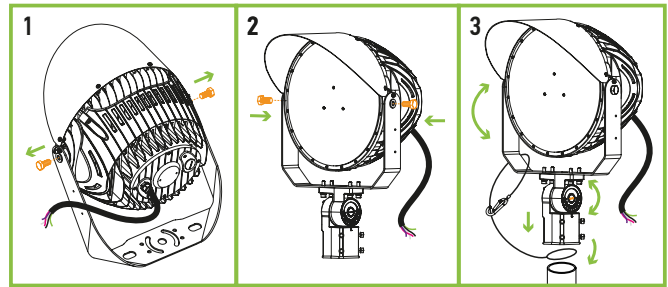
* Pointing the lenses upward is not recommended. It may cause lens pollution leading to poor fixture performance.

SLIP-FITTER INSTALLATION:

ASD-SF1-SPFL7 ASD-SF2-SPFL7 ASD-SF3-SPFL7

sold separately

1. Use a wrench to loosen the screw on original bracket and remove it.
2. Attach the fixture on the slipfitter to the pole. Tighten the screw to secure the fixture to the base.
3. Adjust the fixture according to the desired angle and tighten the screw on the slipfitter to lock in the position. For installations over 10ft height use safety cable (sold separately).

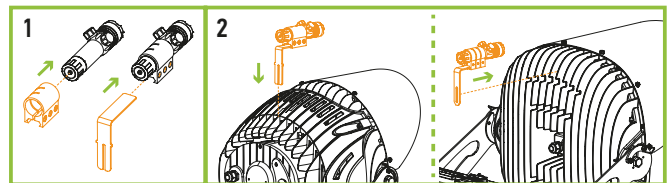


* Pointing the lenses upward is not recommended. It may cause lens pollution leading to poor fixture performance.

LASER POINTER INSTALLATION:

ASD-LSA-SPFL7 ASD-LSB-SPFL7 sold separately

1. Attach the laser pointer to the holder. Loosen the hex screws. Slide the holder over the L bracket. Tighten the hex screws.
2. Find the mounting hole marked "Laser" on the lighting fixture. Attach.



For most up-to-date spec sheets please refer to asd-lighting.com



LED SPORT LIGHT

ORDERING INFORMATION

Model	Product dimensions	Weight	Pcs. per carton	Carton size	Carton weight	UPC
SPFL7						
ASD-SPFL7-300D50	17-5/8" x 16-1/8" x 16-1/16"	21.6 lbs (9.8 kg)	1	19.3" x 17.7" x 12.8"	24.9 lbs	810128114844
ASD-SPFL7-A500D50	17-5/8" x 16-1/8" x 16-1/16"	22.5 lbs (10.2 kg)	1	19.3" x 17.7" x 12.8"	25.8 lbs	810128114851
SPFL7-HV						
ASD-SPFL7-HV-A500D50	17-5/8" x 16-1/8" x 16-1/16"	24.7 lbs (11.2 kg)	1	19.3" x 17.7" x 12.8"	28 lbs	810128114868
ASD-SPFL7-HV-A750D50	31" x 17-7/8" x 17-3/4"	43.4 lbs (19.7 kg)	1	29.7" x 21.1" x 12.6"	46.7 lbs	810128114875
ASD-SPFL7-HV-A1000D50	37-1/4" x 22-5/8" x 21-1/4"	66.1 lbs (30 kg)	1	30.7" x 24.8" x 14"	72.8 lbs	810128114882
ASD-SPFL7-HV-A1300D50	37-1/4" x 22-5/8" x 21-1/4"	66.1 lbs (30 kg)	1	30.7" x 24.8" x 14"	77.2 lbs	810128117869
SPFL7-HV DMX						
ASD-SPFL7HV-450RGBW-DMX	22-5/8" x 16-1/8" x 16"	31 lbs (14.1 kg)	1	24" x 17.7" x 12.8"	35 lbs	810128115483
ASD-SPFL7HV-500D50-DMX	17-5/8" x 16-1/8" x 10-15/16"	25 lbs (11.3 kg)	1	19.3" x 17.7" x 12.8"	29 lbs	810128115490

ACCESSORIES:

Model	Description	UPC	Pcs. per carton	Carton size	Carton weight	GTIN 14
ASD-SF1-SPFL7	Slip fitter for 300-500W	810128114899	5	21.5" x 18.1" x 12.6"	33.1 lbs	10810128114896
ASD-SF2-SPFL7	Slip fitter for 750W	810128114905	4	18.9" x 20.1" x 15"	35.3 lbs	10810128114902
ASD-SF3-SPFL7	Slip fitter for 1000-1300W	810128114912	2	24.6" x 22.8" x 18.1"	40.8 lbs	10810128114919
ASD-LSA-SPFL7	Laser pointer for 300-500W	810128115940	10	12.2" x 12.2" x 6.9"	12.4 lbs	10810128115947
ASD-LSB-SPFL7	Laser pointer for 750-1300W	810128115957	10	12.2" x 12.2" x 6.9"	12.4 lbs	10810128115954
ASD-L30-SPFL7-300/500	Lens 30° for 300-500W	810128114929	20	16.5" x 16.5" x 11.8"	24.3 lbs	10810128114926
ASD-L20B-SPFL7	Lens 20° for 750W	810128115506	10	16.1" x 15.8" x 8.7"	25.6 lbs	10810128115503
ASD-L20C-SPFL7	Lens 20° for 1000-1300W	810128115513	20	21.3" x 15.8" x 11"	41 lbs	10810128115510

ANNEX 1

Model	Watts	2,700 K	3,000 K	4,000 K	5,000 K	6,500 K
ASD-SPFL7-300D50	300W	-	-	-	44,914 lm	-
	300W	-	-	-	48,507 lm	-
ASD-SPFL7-A500D50 ASD-SPFL7-HV-A500D50	400W	-	-	-	63,902 lm	-
	500W	-	-	-	75,057 lm	-
	600W	-	-	-	95,564 lm	-
ASD-SPFL7-HV-A750D50	680W	-	-	-	105,120 lm	-
	750W	-	-	-	113,665 lm	-
	600W	-	-	-	95,564 lm	-
ASD-SPFL7-HV-A1000D50	750W	-	-	-	119,348 lm	-
	1000W	-	-	-	149,877 lm	-
	1000W	-	-	-	161,118 lm	-
ASD-SPFL7-HV-A1300D50	1200W	-	-	-	186,953 lm	-
	1300W	-	-	-	197,827 lm	-
	450W	12,134 lm	13,649 lm	20,045 lm	26,653 lm	28,979 lm
ASD-SPFL7HV-500D50-DMX	500W	-	-	-	75,057 lm	-

For most up-to-date spec sheets please refer to asd-lighting.com