



LED RECESSED MINI PANEL GIMBAL

► **DESIGN** - LED ROUND RECESSED MINI PANEL GIMBAL AIRTIGHT with 25° swivel lens is a perfect for sloped ceilings and directional lighting. This fixture has a J-box, plug & twist connector, and spring-loaded clips, making the installation process quick and easy. The acrylic lens with a 110° beam angle and CRI90+ grants you even light. It is designed to operate on 120V circuits.

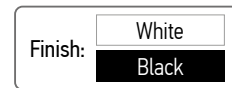
► **COLOR SELECTABLE** - You can choose either a 2,700K soft white, 3,000K warm white, 3,500K neutral white, 4,000K cool white, or 5,000K daylight color temperature.

► **DIMMING** - Smooth triac dimming capabilities ranging from 10% to 100% with modern LED dimmers allow you to control the look and feel of your space.

► **INSTALLATION** - This fixture is Air Tight and IC rated so there is no can or any other housing required. It is also Wet Locations rated, making it perfect for kitchen, bathroom or any other common areas.

► **ADVANTAGES** - With a lifespan of 54,000 hours, these fixtures are made to last decades under normal operation! ASD provides a 5-year limited warranty along with UL and Energy Star certifications to guarantee top quality products and safety!

Catalog number	
Notes	
Type	



Model	Size	Watts	Voltage	Dimmable	Lumens	CCT	Finish	Dimensions	Type	Airtight
ASD-JBR-GB-3D6AC-WH-6PACK	3 inch	6W	120 V	TRIAC	435/449/463/461/443 lm	5CCT (2,700/3,000/3,500/4,000/5,000 K)	White	3-15/16" x 1"	Round	-
ASD-JBR-GBA-3D6AC-WH-6PACK	3 inch	6W	120 V	TRIAC	435/449/463/461/443 lm	5CCT (2,700/3,000/3,500/4,000/5,000 K)	White	3-15/16" x 1-1/2"	Round	Yes
ASD-JBR-GBA-3D6AC-BK-6PACK	3 inch	6W	120 V	TRIAC	435/449/463/461/443 lm	5CCT (2,700/3,000/3,500/4,000/5,000 K)	Black	3-15/16" x 1-1/2"	Round	Yes
ASD-JBR-GB-4D12AC-WH-6PACK	4 inch	12W	120 V	TRIAC	777/803/842/793/795 lm	5CCT (2,700/3,000/3,500/4,000/5,000 K)	White	5-1/8" x 1"	Round	-
ASD-JBR-GBA-4D12AC-WH-6PACK	4 inch	12W	120 V	TRIAC	777/803/842/793/795 lm	5CCT (2,700/3,000/3,500/4,000/5,000 K)	White	5-1/8" x 1-11/16"	Round	Yes
ASD-JBR-GBA-4D12AC-BK-6PACK	4 inch	12W	120 V	TRIAC	777/803/842/793/795 lm	5CCT (2,700/3,000/3,500/4,000/5,000 K)	Black	5-1/8" x 1-11/16"	Round	Yes
ASD-JBR-GB-6D15AC-WH-6PACK	6 inch	15W	120 V	TRIAC	1,085/1,156/1,232/1,208/1,184 lm	5CCT (2,700/3,000/3,500/4,000/5,000 K)	White	7-5/16" x 1-1/4"	Round	-
ASD-JBR-GBA-6D15AC-WH-6PACK	6 inch	15W	120 V	TRIAC	1,085/1,156/1,232/1,208/1,184 lm	5CCT (2,700/3,000/3,500/4,000/5,000 K)	White	7-5/16" x 1-7/8"	Round	Yes
ASD-JBR-GBA-6D15AC-BK-6PACK	6 inch	15W	120 V	TRIAC	1,085/1,156/1,232/1,208/1,184 lm	5CCT (2,700/3,000/3,500/4,000/5,000 K)	Black	7-5/16" x 1-7/8"	Round	Yes

PRODUCT SPECIFICATIONS:

Construction & Materials				
Housing	Aluminum			
Lens	PC			
Finish	White, Black			
Weight	ASD-JBR-GB-3D6AC-WH-6PACK	3.9 lbs (1.8 kg)	ASD-JBR-GBA-4D12AC-BK-6PACK	6.8 lbs (3.1 kg)
	ASD-JBR-GBA-3D6AC-WH-6PACK	4.5 lbs (2 kg)	ASD-JBR-GB-6D15AC-WH-6PACK	7.7 lbs (3.5 kg)
	ASD-JBR-GBA-3D6AC-BK-6PACK		10.1 lbs (4.6 kg)	
	ASD-JBR-GB-4D12AC-WH-6PACK	4.2 lbs (1.9 kg)		
	ASD-JBR-GBA-4D12AC-WH-6PACK	6.8 lbs (3.1 kg)		
Environmental system				
Work environment	Suitable for Wet Locations			
Operating temperature	-4°F to 104°F (-20°C to 40°C)			
L-70 Life	> 54,000 hrs			

For most up-to-date spec sheets please refer to asd-lighting.com

ASD LIGHTING CORP

E-mail: orders@asd-lighting.com | Web site: www.asd-lighting.com



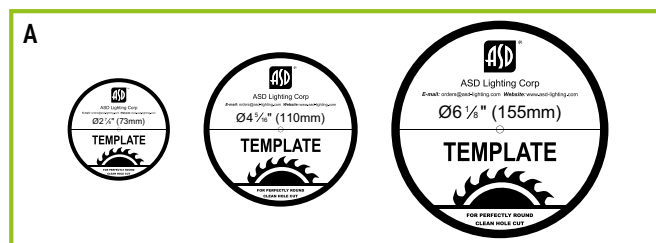


LED RECESSED MINI PANEL GIMBAL

Optical system				
Luminous flux	ASD-JBR-GB-3D6AC-WH-6PACK	435/449/463/461/443 lm	ASD-JBR-GBA-4D12AC-BK-6PACK	777/803/842/793/795 lm
	ASD-JBR-GBA-3D6AC-WH-6PACK		ASD-JBR-GB-6D15AC-WH-6PACK	
	ASD-JBR-GBA-3D6AC-BK-6PACK		ASD-JBR-GBA-6D15AC-WH-6PACK	
	ASD-JBR-GB-4D12AC-WH-6PACK		ASD-JBR-GBA-6D15AC-BK-6PACK	
	ASD-JBR-GBA-4D12AC-WH-6PACK			
Color temperature	5CCT switch (2,700/3,000/3,500/4,000/5,000 K), 3,000 K by default			
CRI	> 90			
Electrical system				
Input voltage	120 V			
Max input current	ASD-JBR-GB-3D6AC-WH-6PACK	0.07 A	ASD-JBR-GBA-4D12AC-BK-6PACK	0.14 A
	ASD-JBR-GBA-3D6AC-WH-6PACK		ASD-JBR-GB-6D15AC-WH-6PACK	
	ASD-JBR-GBA-3D6AC-BK-6PACK		ASD-JBR-GBA-6D15AC-WH-6PACK	
	ASD-JBR-GB-4D12AC-WH-6PACK		ASD-JBR-GBA-6D15AC-BK-6PACK	
	ASD-JBR-GBA-4D12AC-WH-6PACK			
Inrush current (Action time)	ASD-JBR-GB-3D6AC-WH-6PACK	16 A (0.16 S)	ASD-JBR-GBA-4D12AC-BK-6PACK	23 A (0.16 S)
	ASD-JBR-GBA-3D6AC-WH-6PACK		ASD-JBR-GB-6D15AC-WH-6PACK	
	ASD-JBR-GBA-3D6AC-BK-6PACK		ASD-JBR-GBA-6D15AC-WH-6PACK	
	ASD-JBR-GB-4D12AC-WH-6PACK		ASD-JBR-GBA-6D15AC-BK-6PACK	
	ASD-JBR-GBA-4D12AC-WH-6PACK			
Off state power	0W			
Power consumption	ASD-JBR-GB-3D6AC-WH-6PACK	6W	ASD-JBR-GBA-4D12AC-BK-6PACK	12W
	ASD-JBR-GBA-3D6AC-WH-6PACK		ASD-JBR-GB-6D15AC-WH-6PACK	
	ASD-JBR-GBA-3D6AC-BK-6PACK		ASD-JBR-GBA-6D15AC-WH-6PACK	
	ASD-JBR-GB-4D12AC-WH-6PACK		ASD-JBR-GBA-6D15AC-BK-6PACK	
	ASD-JBR-GBA-4D12AC-WH-6PACK			
Power factor	> 0.9			
Output voltage	36 V			
Max output current	ASD-JBR-GB-3D6AC-WH-6PACK	0.146 A	ASD-JBR-GBA-4D12AC-BK-6PACK	0.293 A
	ASD-JBR-GBA-3D6AC-WH-6PACK		ASD-JBR-GB-6D15AC-WH-6PACK	
	ASD-JBR-GBA-3D6AC-BK-6PACK		ASD-JBR-GBA-6D15AC-WH-6PACK	
	ASD-JBR-GB-4D12AC-WH-6PACK		ASD-JBR-GBA-6D15AC-BK-6PACK	
	ASD-JBR-GBA-4D12AC-WH-6PACK			
Surge protection DM/CM	2.5 kV / 2.5 kV			
Dimming range				
10-100%				
Dimming compatible controls				
Brand	Lutron		Leviton	
Models	CTCL-153PDH-WH	S-600PR-WH	DB33K1	
	DVW-603PGH-WH	CTCL-153P	1A2305	
	MIR-600THW-WH	DV-600P	1F4205	
	MACL-153M-WH	NT-1000	6633-P	
	CT-603PGH-WH	S-603P	VP106	
	DVCL-153P-WH	S-600P	IPL06	
	SLV-600P-WH	4X603	6683	
			6674	
		6672		
Regular and voluntary certifications				
5-year limited warranty				
Energy Star listed				
UL certified E473854				

PACKAGE CONTENTS:

Description	Q-ty
LED Recessed Mini Panel Gimbal	6
Template for 3, 4 or 6 inch (A)	1
Box	1

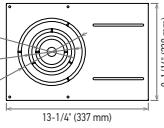
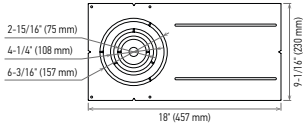
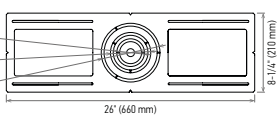
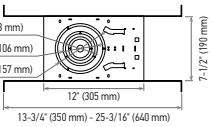
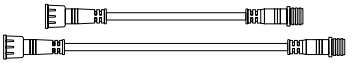


For most up-to-date spec sheets please refer to asd-lighting.com



LED RECESSED MINI PANEL GIMBAL

ACCESSORIES (sold separately):

<p>New construction flat mounting plate with asymmetric round holes 3-4-6" ASD-MPLR-346-FA-6PACK</p> 	<p>New construction flat mounting plate 18" with asymmetric round holes 3-4-6" ASD-MPLR18-346-FA-6PACK</p> 
<p>New construction flat mounting plate with symmetric round holes 3-4-6" ASD-MPLR-346-FS-6PACK</p> 	<p>New construction mounting plate with round holes and sliding clips 3-4-6" ASD-MPLR-346-SC-6PACK</p> 
<p>Extension cord 3PIN</p> <p>10" ASD-EC-10A-6PACK 20" ASD-EC-20A-6PACK</p> 	

ACCESSORY COMPATIBILITY LIST:

Accessories	New construction flat mounting plate with asymmetric round holes 3-4-6" ASD-MPLR-346-FA-6PACK	New construction flat mounting plate 18" with asymmetric round holes 3-4-6" ASD-MPLR18-346-FA-6PACK	New construction flat mounting plate with symmetric round holes 3-4-6" ASD-MPLR-346-FS-6PACK	New construction mounting plate with round holes and sliding clips 3-4-6" ASD-MPLR-346-SC-6PACK	Extension cord 3PIN ASD-EC-10A-6PACK ASD-EC-20A-6PACK
ASD-JBR-GB-3D6AC-WH-6PACK	•	•	•	•	•
ASD-JBR-GBA-3D6AC-WH-6PACK	•	•	•	•	•
ASD-JBR-GBA-3D6AC-BK-6PACK	•	•	•	•	•
ASD-JBR-GB-4D12AC-WH-6PACK	•	•	•	•	•
ASD-JBR-GBA-4D12AC-WH-6PACK	•	•	•	•	•
ASD-JBR-GBA-4D12AC-BK-6PACK	•	•	•	•	•
ASD-JBR-GB-6D15AC-WH-6PACK	•	•	•	•	•
ASD-JBR-GBA-6D15AC-WH-6PACK	•	•	•	•	•
ASD-JBR-GBA-6D15AC-BK-6PACK	•	•	•	•	•

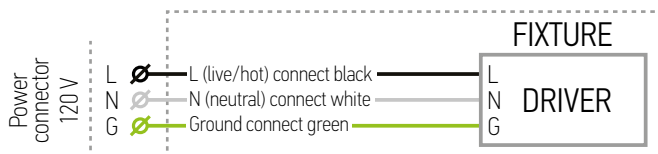
INSTALLATION GUIDE

IMPORTANT SAFETY INFORMATION:

Please read all the instructions below before installation.

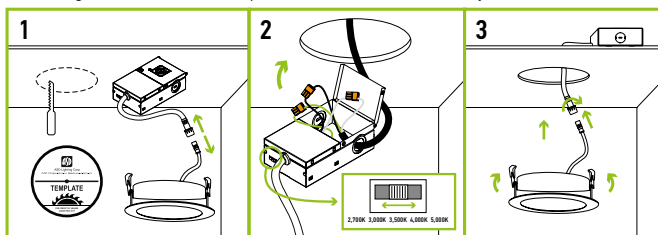
- ▶ Make sure that the supply voltage corresponds to the rated product voltage.
- ▶ The product must be installed by a qualified electrician in accordance with the National Electrical Code and corresponding local codes.
- ▶ If the product is damaged, do not use it.

ELECTRICAL SCHEMATIC DIAGRAM:



INSTALLATION STEPS:

1. Use template to cut an appropriate sized hole. Disconnect the fixture from the junction box.
2. Open junction box. Connect the wires: Black to Black, White to White, Green to Green. Secure the connection with quick connector. Choose needed color temperature by adjusting the switch. Close the junction box.
3. Insert the junction box into the cut hole, leaving the connection cable outside. Connect the fixture to the Junction box inserting the cable and securing it with a cap. Push the spring loaded clips upwards and insert the fixture base into the mounting hole. Release the clips, so the fixture fits securely.



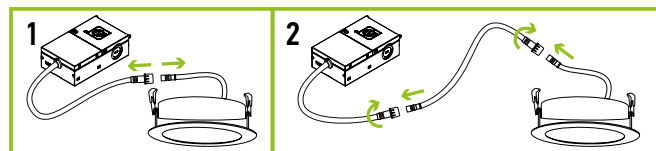
* The fixture is suitable for ceiling thickness less than 0.7 inch.

WARNING

RISK OF PERSONAL INJURY – READ and follow all WARNINGS and installation instructions. Keep or give to the owner for future reference.
Risk of cuts: Wear gloves to prevent cuts or abrasions when removing from carton, handling, installing, and maintaining this product.
Risk of electric shock: This product must be installed in accordance with the applicable installation code by a person familiar with the construction and operation of the product and the hazards involved.
Risk of Fire: Minimum 194°F supply conductors. Consult a qualified electrician to ensure correct branch circuit conductor.
 ASD® assumes no responsibility for claims arising out of improper or careless installation or handling of this product.

EXTENSION CORD INSTALLATION:

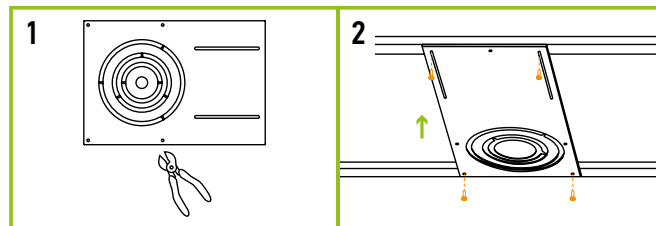
1. Disconnect the LED Mini Panel cable from the Junction box cable.
2. Connect one end of the Extension Cord to the LED Mini Panel cable, and the other end of the Extension Cord to the Junction box cable.



MOUNTING PLATE INSTALLATION

ASD-MPLR-346-FA	ASD-MPLR-346-FS	ASD-MPLR-346-SC
ASD-MPLR18-346-FA	sold separately:	

1. Remove the metal ring from the mounting plate according to the size of fixture.
2. Place the mounting plate and secure its position with screws on the beams.



For most up-to-date spec sheets please refer to asd-lighting.com



LED RECESSED MINI PANEL GIMBAL

ORDERING INFORMATION

Model	UPC	Pcs. per carton	Carton size	Carton weight	GTIN 14
ASD-JBR-GB-3D6AC-WH-6PACK	810050738613	2	17.1" x 9.8" x 5.3"	9.5 lbs	10810050738610
ASD-JBR-GBA-3D6AC-WH-6PACK	810128110587	2	17.9" x 11" x 5.5"	11 lbs	10810128110584
ASD-JBR-GBA-3D6AC-BK-6PACK	810050739382	2	17.9" x 11" x 5.5"	11 lbs	10810050739389
ASD-JBR-GB-4D12AC-WH-6PACK	810050738620	2	19.1" x 11.8" x 6.5"	10.6 lbs	10810050738627
ASD-JBR-GBA-4D12AC-WH-6PACK	810128110600	2	12.4" x 12.4" x 11.6"	16.5 lbs	10810128110607
ASD-JBR-GBA-4D12AC-BK-6PACK	810050739405	2	12.4" x 12.4" x 11.6"	16.5 lbs	10810050739402
ASD-JBR-GB-6D15AC-WH-6PACK	810050738637	2	16.7" x 12.6" x 8.9"	17.9 lbs	10810050738634
ASD-JBR-GBA-6D15AC-WH-6PACK	810128110624	2	18.9" x 16.5" x 8.9"	23.1 lbs	10810128110621
ASD-JBR-GBA-6D15AC-BK-6PACK	810050739429	2	18.9" x 16.5" x 8.9"	23.1 lbs	10810050739426

ACCESSORIES:

Model	Description	UPC	Pcs. per carton	Carton size	Carton weight	GTIN 14 in carton
ASD-MPLR-346-FA-6PACK	New construction flat mounting plate with asymmetric round holes 3-4-6"	810050739344	4	14.4" x 9.8" x 3.2"	22.5 lbs	10810050739341
ASD-MPLR18-346-FA-6PACK	New construction flat mounting plate 18" with asymmetric round holes 3-4-6"	810128112826	4	18.9" x 9.8" x 3.2"	32.9 lbs	10810128112823
ASD-MPLR-346-FS-6PACK	New construction flat mounting plate with symmetric round holes 3-4-6"	810050739351	4	27.2" x 9.1" x 3.2"	25.2 lbs	10810050739358
ASD-MPLR-346-SC-6PACK	New construction mounting plate with round holes and sliding clips 3-4-6"	810050739337	2	17.3" x 11.9" x 13.4"	17 lbs	10810050739334
ASD-EC-10A-6PACK	Extension cord 3PIN 10'	810128110471	10	7.7" x 6.1" x 5.3"	1.8 lbs	10810128110478
ASD-EC-20A-6PACK	Extension cord 3PIN 20'	810128110488	10	7.7" x 6.1" x 7.3"	3.1 lbs	10810128110485

For most up-to-date spec sheets please refer to asd-lighting.com

ASD LIGHTING CORP

E-mail: orders@asd-lighting.com | Web site: www.asd-lighting.com

