



# LED FLOODLIGHT with yoke

► **DESIGN & OPTIONS** - LED FLOODLIGHT WITH YOKE consumes a lot less energy and is much more efficient than all other widely used floodlights. The die-cast aluminum housing design is adapted to maximize heat dissipation on the surface, accelerate the air circulation, protect the LED chips, and to ensure long-term functioning at 120-277V. It comes in a 4000K or 5000K color temperature and a BLACK finish.

► **INSTALLATION** - A widened and thickened adjustable metal bracket makes the light more stable. You can easily install it on ceilings, walls, the ground, and other locations by adjusting the bracket to different angles and following a few simple wiring steps. Refer to install instructions for detailed steps.

► **APPLICATION** - LED FLOODLIGHT WITH YOKE is suitable for both indoor and outdoor applications such as: gardens, backyards, squares, factories, docks, stadiums, garages, streets, yards, exterior accent lighting for a house, outdoor shop lighting, or anywhere else lighting is needed. These lights are WET location rated and can operate in temperatures between -40°+122°F (-40°+50°C). This allows it to be utilized in a wide variety of applications and climates.

► **ENERGY SAVINGS & EFFICIENCY** - This fixture provides a lumen output equal to MH/HPS and can cut your electric bill by up to 80% instantly. With a lifespan of 54,000 hours, these fixtures are made to last decades under normal operation! This fixture will save you a significant amount of money in its lifetime.

► **CERTIFICATION & WARRANTY** - Buy with confidence: ASD provides a 5-year warranty along with UL certifications to guarantee top quality products and safety!

Catalog number	
Notes	
Type	



## PRODUCT LEGEND:

Family	Watts		CCT
ASD-SFL	XX		XX
LED Floodlight with yoke	20 = 20 W	75 = 75 W	40 = 4,000 K
	30 = 30 W	100 = 100 W	50 = 5,000 K
	50 = 50 W	150 = 150 W	

## LED FLOODLIGHT WITH YOKE:

Model	LED	Watts	Dimmable	CCT	Lumens	Dimensions (LxWxH)
ASD-SFL2040	SMD	20 W	No	4,000 K	1,560 lm	5 1/2" x 7 1/8" x 5 3/16"
ASD-SFL2050	SMD	20 W	No	5,000 K	1,615 lm	5 1/2" x 7 1/8" x 5 3/16"
ASD-SFL3040	SMD	30 W	No	4,000 K	2,365 lm	5 1/2" x 7 1/8" x 5 3/16"
ASD-SFL3050	SMD	30 W	No	5,000 K	2,441 lm	5 1/2" x 7 1/8" x 5 3/16"
ASD-SFL5040	SMD	50 W	No	4,000 K	3,880 lm	7 1/4" x 8 7/8" x 6 1/8"
ASD-SFL5050	SMD	50 W	No	5,000 K	4,123 lm	7 1/4" x 8 7/8" x 6 1/8"
ASD-SFL7540	SMD	75 W	No	4,000 K	6,084 lm	9 1/4" x 11 1/4" x 6 3/4"
ASD-SFL7550	SMD	75 W	No	5,000 K	6,420 lm	9 1/4" x 11 1/4" x 6 3/4"
ASD-SFL10040	SMD	100 W	No	4,000 K	7,783 lm	9 1/4" x 11 1/4" x 6 3/4"
ASD-SFL10050	SMD	100 W	No	5,000 K	8,304 lm	9 1/4" x 11 1/4" x 6 3/4"
ASD-SFL15040	SMD	150 W	No	4,000 K	11,343 lm	14 9/16" x 11 7/16" x 6 11/16"
ASD-SFL15050	SMD	150 W	No	5,000 K	11,927 lm	14 9/16" x 11 7/16" x 6 11/16"

For most up-to-date spec sheets please refer to [asd-lighting.com](http://asd-lighting.com)



# LED FLOODLIGHT with yoke

## PRODUCT SPECIFICATIONS:

Construction & Materials						
Housing	Aluminum					
Reflector	Aluminum					
Glass	Tempered glass					
Mounting	Yoke with 1/2" threaded fitting					
Finish	Black					
Weight	ASD-SFL2040	2.44 lbs (1.11 kg)	ASD-SFL5040	4.42 lbs (2.01 kg)	ASD-SFL10040	6.51 lbs (2.96 kg)
	ASD-SFL2050		ASD-SFL5050		ASD-SFL10050	
	ASD-SFL3040	2.58 lbs (1.17 kg)	ASD-SFL7540	6.18 lbs (2.81 kg)	ASD-SFL15040	11.73 lbs (5.33 kg)
	ASD-SFL3050		ASD-SFL7550		ASD-SFL15050	
Environmental System						
Work Environment	Suitable for Wet Locations, IP65					
Operating Temperature	-40°F to 122°F (-40°C to 50°C)					
L-70 Life	R > 54,000 hrs; C > 74,000 hrs					
Optical System						
Luminous Flux	ASD-SFL2040	1,560 lm	ASD-SFL5040	3,880 lm	ASD-SFL10040	7,783 lm
	ASD-SFL2050	1,615 lm	ASD-SFL5050	4,123 lm	ASD-SFL10050	8,304 lm
	ASD-SFL3040	2,365 lm	ASD-SFL7540	6,084 lm	ASD-SFL15040	11,343 lm
	ASD-SFL3050	2,441 lm	ASD-SFL7550	6,420 lm	ASD-SFL15050	11,927 lm
Color Temperature	4,000 K		5,000 K			
CRI	>75					
Electrical System						
Input Voltage	120-277 V					
Max input current	ASD-SFL2040	0.2 A	ASD-SFL5040	0.5 A	ASD-SFL10040	1.1 A
	ASD-SFL2050		ASD-SFL5050		ASD-SFL10050	
	ASD-SFL3040	0.3 A	ASD-SFL7540	0.8 A	ASD-SFL15040	1.6 A
	ASD-SFL3050		ASD-SFL7550		ASD-SFL15050	
Inrush current (Action time)	ASD-SFL2040	45 A (1 S)	ASD-SFL5040	55 A (1.2 S)	ASD-SFL10040	65 A (1.2 S)
	ASD-SFL2050		ASD-SFL5050		ASD-SFL10050	
	ASD-SFL3040	50 A (1 S)	ASD-SFL7540	60 A (1.2 S)	ASD-SFL15040	65 A (1.2 S)
	ASD-SFL3050		ASD-SFL7550		ASD-SFL15050	
AC input range	min 90 V max 285 V					
Off State Power	0 W					
Power Consumption	ASD-SFL2040	20 W	ASD-SFL5040	50 W	ASD-SFL10040	100 W
	ASD-SFL2050		ASD-SFL5050		ASD-SFL10050	
	ASD-SFL3040	30 W	ASD-SFL7540	75 W	ASD-SFL15040	150 W
	ASD-SFL3050		ASD-SFL7550		ASD-SFL15050	
Power Factor	≥0.9					
Output voltage	30-40 V					
Max output current	ASD-SFL2040	600 mA	ASD-SFL5040	1.5 A	ASD-SFL10040	1.2 A
	ASD-SFL2050		ASD-SFL5050		ASD-SFL10050	
	ASD-SFL3040	900 mA	ASD-SFL7540	900 mA	ASD-SFL15040	1.8 A
	ASD-SFL3050		ASD-SFL7550		ASD-SFL15050	
LED driver class	Class 2					
Regular and Voluntary Certifications						
5-year limited warranty						
cULus certified	E473804					

## PACKAGE CONTENTS:

Description	Q-ty
LED Floodlight with yoke	1
Box	1
Cut sheet	1

For most up-to-date spec sheets please refer to [asd-lighting.com](http://asd-lighting.com)



# LED FLOODLIGHT with yoke

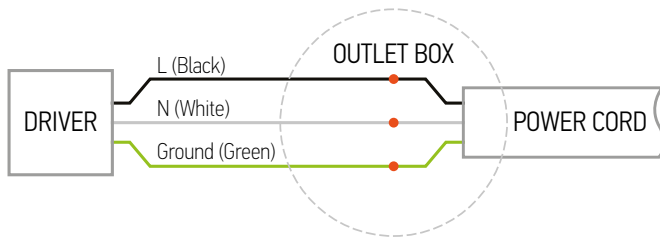
## INSTALLATION GUIDE

### IMPORTANT SAFETY INFORMATION:

Please read all the instructions below before installation.

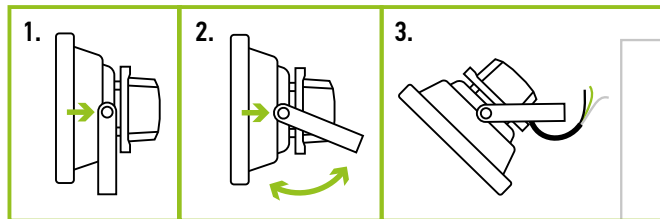
- ▶ Make sure that the supply voltage corresponds to the rated product voltage.
- ▶ The product must be installed by a qualified electrician in accordance with the National Electrical Code and corresponding local codes.
- ▶ If the product is damaged, do not use it.

### ELECTRICAL SCHEMATIC DIAGRAM:



### INSTALLATION STEPS:

1. Turn off the main power. Use a wrench to loosen the screw on the arm.
2. Adjust the arm to your desired angle (the arm allows you to choose the necessary light direction and to set the desired angle of a lighting fixture). Tighten the screw.
3. Connect the wires: Black to Black, White to White, Green to Green from the fixture to the existing wires in a properly installed and grounded UL listed junction box for power with suitable strain relief for power cord. Turn on the main power.



### ⚠ WARNING

**RISK OF PERSONAL INJURY – READ and follow all WARNINGS and installation instructions.**

Keep or give to the owner for future reference.

**Risk of cuts:** Wear gloves to prevent cuts or abrasions when removing from carton, handling, installing, and maintaining this product.

**Risk of electric shock:** This product must be installed in accordance with the applicable installation code by a person familiar with the construction and operation of the product and the hazards involved.

**Risk of Fire:** Minimum 194°F supply conductors. Consult a qualified electrician to ensure correct branch circuit conductor.

ASD® assumes no responsibility for claims arising out of improper or careless Installation or handling of this product.

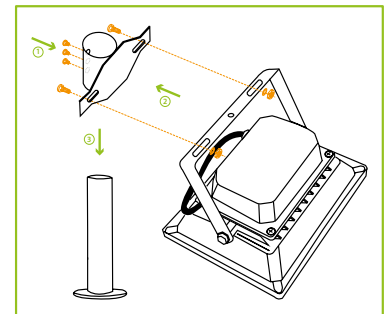
### POLE MOUNTING BRACKET:

ASD Pole mounting brackets allow for easy pole mounted installation of our floodlights. Our brackets are manufactured from durable, steel tubes and slip fit onto a 2 3/8" pipe. The bracket includes 3 locking bolts to secure to the pole and 2 nuts, bolts and washers to attach the pole mounting bracket to the floodlight bracket.



### POLE MOUNTING BRACKET INSTALLATION:

1. Remove bracket from packaging. Insert the 3 bolts in the round part of the bracket that will be tightened later to secure bracket to pole.
2. Attach pole mount bracket to Flood light bracket using the 2 sets of nuts, bolts and washers and tighten.
3. Slide adapter onto the pole and tighten the 3 bolts to secure the bracket to the pole.



## ORDERING INFORMATION

### LED FLOODLIGHT WITH YOKE:

Model	Watts	UPC	GTIN 14	Pcs in one Carton	Carton Size	Carton Weight
ASD-SFL2040	20 W	859961005155	20859961005159	4	15.35" x 9.84" x 7.28"	13.9 lbs
ASD-SFL2050	20 W	859961005186	20859961005180	4	15.35" x 9.84" x 7.28"	13.9 lbs
ASD-SFL3040	30 W	859961005193	20859961005197	4	15.35" x 9.84" x 7.28"	14.6 lbs
ASD-SFL3050	30 W	859961005209	20859961005203	4	15.35" x 9.84" x 7.28"	14.6 lbs
ASD-SFL5040	50 W	859961005216	20859961005210	4	18.9" x 11.22" x 8.86"	20.9 lbs
ASD-SFL5050	50 W	859961005223	20859961005227	4	18.9" x 11.22" x 8.86"	20.9 lbs
ASD-SFL7540	75 W	859961005230	10859961005237	4	25" x 12" x 10.24"	29.8 lbs
ASD-SFL7550	75 W	859961005247	10859961005244	4	25" x 12" x 10.24"	29.8 lbs
ASD-SFL10040	100 W	859961005254	10859961005251	4	25" x 12" x 10.24"	29.8 lbs
ASD-SFL10050	100 W	859961005261	10859961005268	4	25" x 12" x 10.24"	29.8 lbs
ASD-SFL15040	150 W	859961005278	10859961005275	4	19.69" x 12" x 16.53"	53.6 lbs
ASD-SFL15050	150 W	859961005285	10859961005282	4	19.69" x 12" x 16.53"	53.6 lbs

### ACCESSORIES:

Model	Materials	Weight	Dimensions	Pcs in one Carton	Carton Size	Carton Weight	UPC	GTIN 14
ASD-PMB-FL	Iron	1.5 lb (0.7 kg)	7 7/8" x 3 1/4" x 3 1/2"	20	17.9" x 9.1" x 8.3"	35.3 lbs	857622006657	10857622006654

For most up-to-date spec sheets please refer to [asd-lighting.com](http://asd-lighting.com)

ASD LIGHTING CORP

E-mail: [orders@asd-lighting.com](mailto:orders@asd-lighting.com) | Web site: [www.asd-lighting.com](http://www.asd-lighting.com)

