



# LED SPORT LIGHT

► **DESIGN** - LED SPORT LIGHT has a die-cast aluminum housing with numerous vents on the heat sink for excellent heat dissipation. Advanced optics designed with unique multi-scale lenses provides uniform light distribution, glare-reduction maximizes the light output. CRI80+ rating provides rich and natural colors. It is designed to operate on 120-277V or 200-480V circuits with a 0-10V dimmable driver.

► **3G** - Vibration rated, withstands conditions with repeated vibration, making it conform to standards for roadway.

► **DMX CONTROL** - Specified models go with DMX control option. Using DMX protocol you can create visual effects the way you like both for White color or RGBW models.

► **INSTALLATION** - This fixture is Wet locations rated and has two mounting options with a standard floodlight bracket or a slip fitter. It comes with 10 ft cord. Perfect commercial or industrial solution for any outdoor sports lighting, parking lot lighting, dock lighting, high mast flood lighting, stadium lighting, and many other applications.

► **ADVANTAGES** - With calculated lifespan up to 167,000 hours, these fixtures are made to last decades under normal operation! ASD provides a 7-year limited warranty along with UL and DLC Premium certifications to guarantee top quality products and safety!

<i>Catalog number</i>	
<i>Notes</i>	
<i>Type</i>	



Model	Watts	Voltage	Dimmable	Lumens	CCT	Finish	Dimensions (LxWxH)	Beam angle	Cord
<b>SPFL7</b>									
ASD-SPFL7-300D50	300W	120-277 V	0-10 V	44,914 lm	5,000 K	Black	17-5/8" x 16-1/8" x 16-1/16"	45°	10 ft
ASD-SPFL7-A500D50	300/400/500W	120-277 V	0-10 V	up to 75,057 lm	5,000 K	Black	17-5/8" x 16-1/8" x 16-1/16"	45°	10 ft
<b>SPFL7-HV</b>									
ASD-SPFL7-HV-A500D50	300/400/500W	200-480 V	0-10 V	up to 75,057 lm	5,000 K	Black	17-5/8" x 16-1/8" x 16-1/16"	45°	10 ft
ASD-SPFL7-HV-A750D50	600/680/750W	200-480 V	0-10 V	up to 113,665 lm	5,000 K	Black	31" x 17-7/8" x 17-3/4"	40°	10 ft
ASD-SPFL7-HV-A1000D50	600/750/1000W	200-480 V	0-10 V	up to 149,877 lm	5,000 K	Black	37-1/4" x 22-5/8" x 21-1/4"	40°	10 ft
ASD-SPFL7-HV-A1300D50	1000/1200/1300W	200-480 V	0-10 V	up to 197,827 lm	5,000 K	Black	37-1/4" x 22-5/8" x 21-1/4"	40°	10 ft
<b>SPFL7-HV DMX</b>									
ASD-SPFL7HV-450RGBW-DMX	450W	200-480 V	DMX	up to 28,979 lm	Red-Green-Blue-2,700K-6,500 K	Black	22-5/8" x 16-1/8" x 16"	45°	10 ft
ASD-SPFL7HV-500D50-DMX	500W	200-480 V	DMX	75,057 lm	5,000 K	Black	17-5/8" x 16-1/8" x 10-15/16"	45°	10 ft

For detailed luminous flux information please refer to Annex 1, page 4.

For most up-to-date spec sheets please refer to [asd-lighting.com](http://asd-lighting.com)



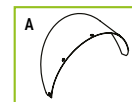
# LED SPORT LIGHT

## PRODUCT SPECIFICATIONS:

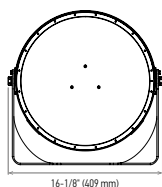
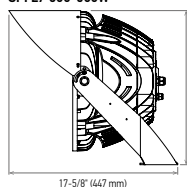
Construction & Materials								
Housing	Aluminum							
Lens	PC							
Visor	SPCC							
Finish	Black							
Weight	ASD-SPFL7-300D50	21.6 lbs (9.8 kg)	ASD-SPFL7-HV-A750D50	43.4 lbs (19.7 kg)	ASD-SPFL7HV-450RGBW-DMX	31 lbs (14.1 kg)		
	ASD-SPFL7-A500D50	22.5 lbs (10.2 kg)	ASD-SPFL7-HV-A1000D50	66.1 lbs (30 kg)	ASD-SPFL7HV-500D50-DMX	25 lbs (11.3 kg)		
	ASD-SPFL7-HV-A500D50	24.7 lbs (11.2 kg)	ASD-SPFL7-HV-A1300D50					
Environmental system								
Work environment	Suitable for Wet Locations, IP66							
Operating temperature	-40°F to 122°F (-40°C to 50°C)							
L-70 Life	R > 102,000 hrs; C > 167,000 hrs	for 750W, 1000W and RGBW models: R > 54,000 hrs; C > 140,000 hrs			for 1300W model: R > 54,000 hrs; C > 129,000 hrs			
Optical system								
Color temperature	5,000 K from Red-Green-Blue-2,700K-6,500 K with via DMX controller (not included)							
CRI	> 80							
Electrical system								
Input voltage	Regular voltage: 120-277 V							
	High voltage: 200-480 V							
Max input current	ASD-SPFL7-300D50	2.7 A	ASD-SPFL7-HV-A750D50	3.8 A	ASD-SPFL7HV-450RGBW-DMX	2.5 A		
	ASD-SPFL7-A500D50	4.7 A	ASD-SPFL7-HV-A1000D50	5.1 A	ASD-SPFL7HV-500D50-DMX	2.8 A		
	ASD-SPFL7-HV-A500D50	2.6 A	ASD-SPFL7-HV-A1300D50	7.2 A				
Inrush current (Action time)	ASD-SPFL7-300D50	50 A (1.12 S)	ASD-SPFL7-HV-A750D50	35 A (0.21 S)	ASD-SPFL7HV-450RGBW-DMX	7 A (0.19 S)		
	ASD-SPFL7-A500D50	48.6 A (0.82 S)	ASD-SPFL7-HV-A1000D50	35 A (0.14 S)	ASD-SPFL7HV-500D50-DMX	45 A (0.48 S)		
	ASD-SPFL7-HV-A500D50	44.5 A (0.48 S)	ASD-SPFL7-HV-A1300D50	35 A (0.2 S)				
Off state power	0W							
Power consumption	ASD-SPFL7-300D50	300W	ASD-SPFL7-HV-A750D50	600/680/750W	ASD-SPFL7HV-450RGBW-DMX	450W		
	ASD-SPFL7-A500D50	300/400/500W	ASD-SPFL7-HV-A1000D50	600/750/1000W	ASD-SPFL7HV-500D50-DMX	500W		
	ASD-SPFL7-HV-A500D50		ASD-SPFL7-HV-A1300D50	1000/1200/1300W				
Power factor	> 0.9							
Output voltage	ASD-SPFL7-300D50	252 V	ASD-SPFL7-HV-A750D50	336 V	ASD-SPFL7HV-450RGBW-DMX	180 V		
	ASD-SPFL7-A500D50		ASD-SPFL7-HV-A1000D50		ASD-SPFL7HV-500D50-DMX	252 V		
	ASD-SPFL7-HV-A500D50		ASD-SPFL7-HV-A1300D50					
Max output current	ASD-SPFL7-300D50	1.13 A	ASD-SPFL7-HV-A750D50	2.12 A	ASD-SPFL7HV-450RGBW-DMX	2.375 A		
	ASD-SPFL7-A500D50	1.78 A	ASD-SPFL7-HV-A1000D50	2.83 A	ASD-SPFL7HV-500D50-DMX	1.88 A		
	ASD-SPFL7-HV-A500D50		ASD-SPFL7-HV-A1300D50	3.66 A				
Surge protection DM/CM	10 kV / 10 kV							
Dimming compatible controls								
Brand	Leviton			Lutron				
Models	ZS057-DOZ	DS710	DD710	IP710	MS-Z101	DVSTV	NTSTV	DVTV
Effective projected area (EPA)								
Standard bracket	300-500W	750W	1000-1300W					
	0.85/1.28/1.36 ft²	0.80/1.92/1.25 ft²	1.02/2.94/1.67 ft²					
Regular and voluntary certifications								
Warranty 7-years for operating less than 19Hrs per day, with ambient temperature < 40°								
DesignLights Consortium (DLC) listed (Classification: Premium)								
Main: Outdoor luminaires; General application: Very high output;								
Primary use: Architectural flood and spot luminaires (except RGBW model)								
UL certified E473804								

## PACKAGE CONTENTS:

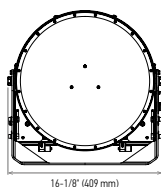
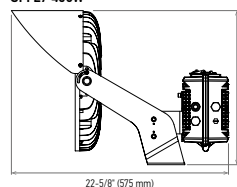
Description	Q-ty
LED Sport Light	1
Visor (A)	1
Box	1



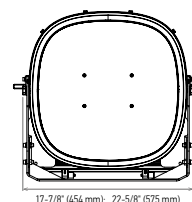
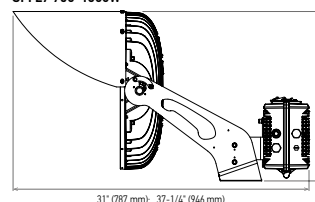
SPFL7 300-500W



SPFL7 450W



SPFL7 750-1300W



For most up-to-date spec sheets please refer to [asd-lighting.com](http://asd-lighting.com)

ASD LIGHTING CORP

E-mail: [orders@asd-lighting.com](mailto:orders@asd-lighting.com) | Web site: [www.asd-lighting.com](http://www.asd-lighting.com)

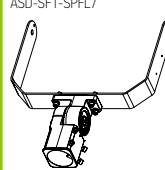




# LED SPORT LIGHT

## ACCESSORIES (sold separately):

**Slip fitter**  
for 300-500W  
ASD-SF1-SPFL7

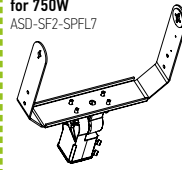


d 1-3/4" (45mm)  
d 2-3/8" (60mm)  
d 1/2" (13mm)

17-11/8" (65mm)

3-15/16" (100mm)  
1-1/4" (32mm)  
d 2-9/16" (65mm)

**for 750W**  
ASD-SF2-SPFL7

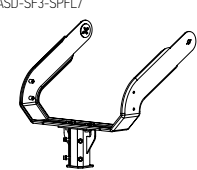


d 1" (26mm)  
d 2-3/4" (70mm)  
d 1/2" (13mm)

19-7/8" (65mm)

3-15/16" (100mm)  
1-1/4" (32mm)  
d 2-9/16" (65mm)

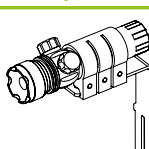
**for 1000-1300W**  
ASD-SF3-SPFL7



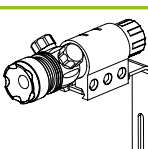
20-1/2" (515mm)

3-15/16" (100mm)  
1-1/4" (32mm)  
d 2-1/2" (64mm)

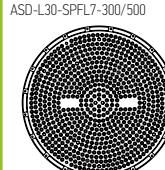
**Laser Pointer**  
for 300-500W  
ASD-LSA-SPFL7



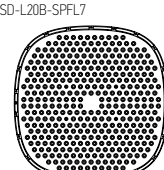
**for 750-1300W**  
ASD-LSB-SPFL7



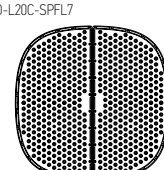
**Lens**  
30° for 300-500W  
ASD-L30-SPFL7-300/500



20° for 750W  
ASD-L20B-SPFL7



20° for 1000-1300W  
ASD-L20C-SPFL7



## ACCESSORY COMPATIBILITY LIST:

Models	Accessories							
	Slip-fitter for 300-500W ASD-SF1-SPFL7	Slip-fitter for 750W ASD-SF2-SPFL7	Slip-fitter for 1000-1300W ASD-SF3-SPFL7	Laser pointer for 300-500W ASD-LSA-SPFL7	Laser pointer for 750-1300W ASD-LSB-SPFL7	Lens 30° for 300-500W ASD-L30-SPFL7-300/500	Lens 20° for 750W ASD-L20B-SPFL7	Lens 20° for 1000-1300W ASD-L20C-SPFL7
ASD-SPFL7-300D50	•					•		
ASD-SPFL7-A500D50	•					•		
ASD-SPFL7-HV-A500D50	•					•		
ASD-SPFL7-HV-A750D50		•					•	
ASD-SPFL7-HV-A1000D50			•					•
ASD-SPFL7-HV-A1300D50								•
ASD-SPFL7HV-450RGBW-DMX	•					•		
ASD-SPFL7HV-500D50-DMX	•					•		

## INSTALLATION GUIDE

### IMPORTANT SAFETY INFORMATION:

Please read all the instructions below before installation.

- ▶ Make sure that the supply voltage corresponds to the rated product voltage.
- ▶ The product must be installed by a qualified electrician in accordance with the National Electrical Code and corresponding local codes.
- ▶ If the product is damaged, do not use it.

### ⚠ WARNING

**Risk of personal injury – read and follow all warnings and installation instructions.** Keep or give to the owner for future reference.

**Risk of cuts:** Wear gloves to prevent cuts or abrasions when removing from carton, handling, installing, and maintaining this product.

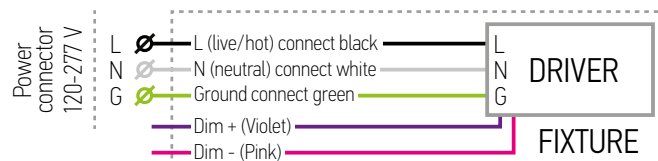
**Risk of electric shock:** This product must be installed in accordance with the applicable installation code by a person familiar with the construction and operation of the product and the hazards involved.

**Risk of Fire:** Minimum 194°F supply conductors. Consult a qualified electrician to ensure correct branch circuit conductor.

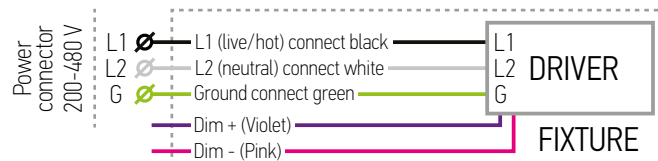
ASD® assumes no responsibility for claims arising out of improper or careless Installation or handling of this product.

### ELECTRICAL SCHEMATIC DIAGRAM:

#### SPFL7



#### SPFL7-HV



\* The regular voltage 120-277 V fixtures can be alternatively powered without neutral by two-phase circuit with phase-to-phase voltage of 208 V (L1-120 V & L2-120 V).

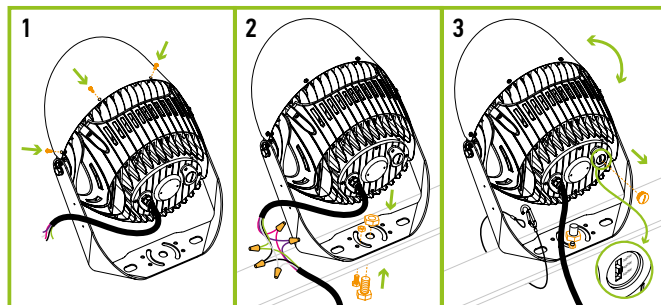
**WARNING:** Phase-to-phase voltage should be less than 277 V (160 V per each phase) and more than 120 V (70 V per each phase)! Do not confuse Regular Voltage fixtures of 120-277 V with High Voltage ones of 200-480 V!

For most up-to-date spec sheets please refer to [asd-lighting.com](http://asd-lighting.com)

# ASD<sup>®</sup> LED SPORT LIGHT

## INSTALLATION STEPS:

1. Attach the Visor using M4x10mm for 300-500W or M5x10mm for 750-1000W screws to secure the visor onto the fixture.
2. Insert M10/M20 bolts and plain washers into the bracket. Align the rotatable bracket with the mounting structure, then secure the bracket with bolts, plain washers, and lock washers. Tighten the nuts by hand to ensure the mounting structure is secure but do not fully torque nuts until desired aiming is achieved.
3. Once the fixture is set to the desired direction, tighten the nuts fully. Set the wattage value with the switch on the back of the fixture. For installations over 10ft height use safety cable (sold separately).

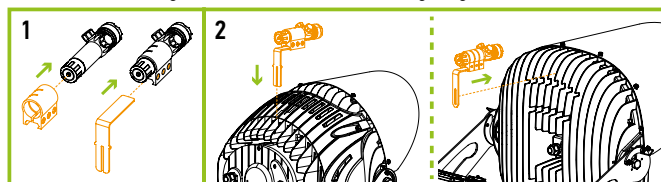


\* Pointing the lenses upward is not recommended. It may cause lens pollution leading to poor fixture performance.

## LASER POINTER INSTALLATION

**ASD-LSA-SPFL7 ASD-LSB-SPFL7** sold separately:

1. Attach the laser pointer to the holder. Loosen the hex screws. Slide the holder over the L bracket. Tighten the hex screws.
2. Find the mounting hole marked "Laser" on the lighting fixture. Attach.



## ANNEX 1

Model	Watts	2,700 K	3,000 K	4,000 K	5,000 K	6,500 K
ASD-SPFL7-300D50	300W	-	-	-	44,914 lm	-
ASD-SPFL7-A500D50 ASD-SPFL7-HV-A500D50	300W	-	-	-	48,507 lm	-
	400W	-	-	-	63,902 lm	-
	500W	-	-	-	75,057 lm	-
ASD-SPFL7-HV-A750D50	600W	-	-	-	95,564 lm	-
	680W	-	-	-	105,120 lm	-
	750W	-	-	-	113,665 lm	-
ASD-SPFL7-HV-A1000D50	600W	-	-	-	95,564 lm	-
	750W	-	-	-	119,348 lm	-
	1000W	-	-	-	149,877 lm	-
ASD-SPFL7-HV-A1300D50	1000W	-	-	-	161,118 lm	-
	1200W	-	-	-	186,953 lm	-
	1300W	-	-	-	197,827 lm	-
ASD-SPFL7HV-450RGBW-DMX	450W	12,134 lm	13,649 lm	20,045 lm	26,653 lm	28,979 lm
ASD-SPFL7HV-500D50-DMX	500W	-	-	-	75,057 lm	-

## SLIP-FITTER INSTALLATION

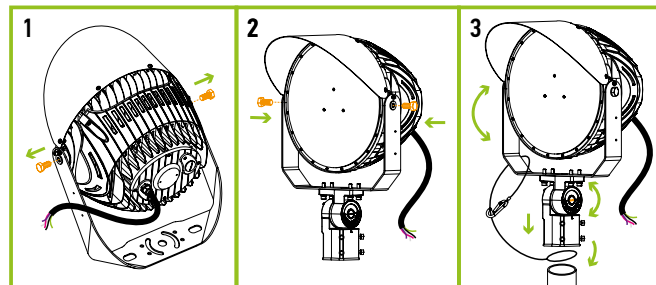
**ASD-SF1-SPFL7**

**ASD-SF2-SPFL7**

**ASD-SF3-SPFL7**

**sold separately:**

1. Use a wrench to loosen the screw on original bracket and remove it.
2. Attach the fixture on the slipfitter to the pole. Tighten the screw to secure the fixture to the base.
3. Adjust the fixture according to the desired angle and tighten the screw on the slipfitter to lock in the position. For installations over 10ft height use safety cable (sold separately).



\* Pointing the lenses upward is not recommended. It may cause lens pollution leading to poor fixture performance.

For most up-to-date spec sheets please refer to [asd-lighting.com](http://asd-lighting.com)



# LED SPORT LIGHT

## ORDERING INFORMATION

Model	UPC	Pcs. per carton	Carton size	Carton weight
<b>SPFL7</b>				
ASD-SPFL7-300D50	810128114844	1	19.3' x 17.7' x 12.8'	24.9 lbs
ASD-SPFL7-A500D50	810128114851	1	19.3' x 17.7' x 12.8'	25.8 lbs
<b>SPFL7-HV</b>				
ASD-SPFL7-HV-A500D50	810128114868	1	19.3' x 17.7' x 12.8'	28 lbs
ASD-SPFL7-HV-A750D50	810128114875	1	29.7' x 21.1' x 12.6'	46.7 lbs
ASD-SPFL7-HV-A1000D50	810128114882	1	30.7' x 24.8' x 14"	72.8 lbs
ASD-SPFL7-HV-A1300D50	810128117869	1	30.7' x 24.8' x 14"	77.2 lbs
<b>SPFL7-HV DMX</b>				
ASD-SPFL7HV-450RGBW-DMX	810128115483	1	24" x 17.7" x 12.8"	35 lbs
ASD-SPFL7HV-500D50-DMX	810128115490	1	19.3' x 17.7' x 12.8'	29 lbs

## ACCESSORIES:

Model	Description	UPC	Pcs. per carton	Carton size	Carton weight	GTIN 14
ASD-SF1-SPFL7	Slip fitter for 300-500W	810128114899	5	21.5" x 18.1" x 12.6	33.1 lbs	10810128114896
ASD-SF2-SPFL7	Slip fitter for 750W	810128114905	4	18.9" x 20.1" x 15	35.3 lbs	10810128114902
ASD-SF3-SPFL7	Slip fitter for 1000-1300W	810128114912	2	24.6" x 22.8" x 18.1"	40.8 lbs	10810128114919
ASD-LSA-SPFL7	Laser pointer for 300-500W	810128115940	10	12.2" x 12.2" x 6.9	12.4 lbs	10810128115947
ASD-LSB-SPFL7	Laser pointer for 750-1300W	810128115957	10	12.2" x 12.2" x 6.9	12.4 lbs	10810128115954
ASD-L30-SPFL7-300/500	Lens 30° for 300-500W	810128114929	20	16.5" x 16.5" x 11.8"	24.3 lbs	10810128114926
ASD-L20B-SPFL7	Lens 20° for 750W	810128115506	10	16.1" x 15.8" x 8.7"	25.6 lbs	10810128115503
ASD-L20C-SPFL7	Lens 20° for 1000-1300W	810128115513	20	21.3" x 15.8" x 11"	41 lbs	10810128115510

For most up-to-date spec sheets please refer to [asd-lighting.com](http://asd-lighting.com)

**ASD LIGHTING CORP**

E-mail: [orders@asd-lighting.com](mailto:orders@asd-lighting.com) | Web site: [www.asd-lighting.com](http://www.asd-lighting.com)

