



LED ROUND RECESSED MINI PANEL GIMBAL

► **DESIGN & OPTIONS** - LED ROUND RECESSED MINI PANEL WITH GIMBAL is perfect for sloped ceilings and directional lighting as the light can pivot and rotate to illuminate the desired area. It provides smooth dimming capabilities ranging from 100% to 10% with modern LED dimmers. There is also a color adjustable option, letting you set it to 3,000K, 4,000K or 5,000K with a simple switch. The 110° beam angle will leave no dark spots on the floor. It comes in 4" and 6" sizes with a WHITE or BRONZE finish.

► **INSTALLATION** - This fixture has a J-box and requires only 2" of ceiling space, making installation quick and easy. It has everything you need in one set. Just cut out the template, connect the J-box wiring to your light switch, and place it into your ceiling. Spring-loaded clips ensure a snug fit to the surface. This fixture is IC rated so there is no can or any other housing required. Refer to install instructions for detailed steps.

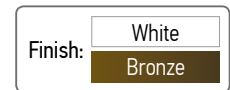
► **APPLICATION** - With 35-85° of vertical rotation, this LED ROUND RECESSED MINI PANEL WITH GIMBAL provides you with even and balanced lighting in your family room, bedroom, hallway, corridor, or any other common area in your living space. It is also suitable for Damp locations, making it perfect for kitchens and garages as well. You could also use it as a complimentary light to an already existing ceiling light.

► **ENERGY SAVINGS & EFFICIENCY** - Replacing an incandescent bulb with the LED ROUND RECESSED MINI PANEL WITH GIMBAL can save you up to 8 times as much on your current energy costs. With a lifespan of 50,000 hours, these fixtures are made to last decades under normal operation! This fixture will save you a significant amount of money in its lifetime.

► **CERTIFICATION & WARRANTY** - Buy with confidence: ASD provides a 5-year warranty along with ETL and ENERGY STAR certifications to guarantee top quality products and safety!

Top US certifications allow participation in rebates; please check the rebate programs available in your state.

Catalog number	
Notes	
Type	



PRODUCT LEGEND:

Family	Size	Dimmable	Watts	CCT	Finish
ASD-LMPJBR-GB	X	X	XX	XX	XX
LED Round Recessed Mini Panel Gimbal	4 = 4 inch 6 = 6 inch	D = Dimmable	9 = 9 W 12 = 12 W	CC = 3,000/4,000/5,000 K	WH = White BZ = Oil Rubbed Bronze

LED ROUND RECESSED MINI PANEL GIMBAL:

Model	Size	Watts	Dimmable	CCT	Lumens	Dimensions (LxH)	Finish	UPC
ASD-LMPJBR-GB-4D9CC-WH	4 inch	9 W	TRIAC	3,000/4,000/5,000 K	630 lm	5" x 1 3/16"	White	810050730891
ASD-LMPJBR-GB-4D9CC-BZ	4 inch	9 W	TRIAC	3,000/4,000/5,000 K	630 lm	5" x 1 3/16"	Oil Rubbed Bronze	810050730907
ASD-LMPJBR-GB-6D12CC-WH	6 inch	12 W	TRIAC	3,000/4,000/5,000 K	840 lm	8" x 1 5/8"	White	810050730914
ASD-LMPJBR-GB-6D12CC-BZ	6 inch	12 W	TRIAC	3,000/4,000/5,000 K	840 lm	8" x 1 5/8"	Oil Rubbed Bronze	810050730921

ORDERING INFORMATION:

Model	Pcs in middle box	Middle box Size	Middle box Weight	GTIN 14 for Middle box	Pcs in one Carton	Carton Size	Carton Weight	GTIN 14 for Carton
ASD-LMPJBR-GB-4D9CC-WH	-	-	-	-	12	16.5" x 11.6" x 6.7"	13.2 lb	30810050730892
ASD-LMPJBR-GB-4D9CC-BZ	6	15.7" x 5.5" x 5.9"	6.1 lb	10810050730904	12	16.5" x 11.6" x 6.7"	13.2 lb	20810050730901
ASD-LMPJBR-GB-6D12CC-WH	-	-	-	-	12	17.9" x 9.4" x 17.3"	22.6 lb	30810050730915
ASD-LMPJBR-GB-6D12CC-BZ	6	16.5" x 11.6" x 6.7"	10.6 lb	10810050730928	12	17.9" x 9.4" x 17.3"	22.6 lb	20810050730925

For most up-to-date spec sheets please refer to asd-lighting.com

ASD LIGHTING CORP

E-mail: orders@asd-lighting.com | Web site: www.asd-lighting.com





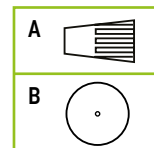
LED ROUND RECESSED MINI PANEL GIMBAL

PRODUCT SPECIFICATIONS:

Construction & Materials		Electrical System	
Housing	Aluminum	Input Voltage	120 V
Lens	Acrylic	Max input current	ASD-LMPJBR-GB-4D9CC-WH ASD-LMPJBR-GB-4D9CC-BZ
Finish Color	White, Oil Rubbed Bronze		ASD-LMPJBR-GB-6D12CC-WH ASD-LMPJBR-GB-6D12CC-BZ
Weight	ASD-LMPJBR-GB-4D9CC-WH ASD-LMPJBR-GB-4D9CC-BZ		0.08 A
	ASD-LMPJBR-GB-6D12CC-WH ASD-LMPJBR-GB-6D12CC-BZ	0.1 A	
		0.341 A (0.59 S)	
Environmental System		Inrush current (Action time)	ASD-LMPJBR-GB-4D9CC-WH ASD-LMPJBR-GB-6D12CC-WH
Work Environment	Suitable for Damp Locations		ASD-LMPJBR-GB-4D9CC-BZ ASD-LMPJBR-GB-6D12CC-BZ
Operating Temperature	14°F to 113°F (-10°C to 45°C)	AC input range	min 100 V max 130 V
L-70 Life	> 50,000 hrs	Off State Power	0 W
Optical System		Power Consumption	ASD-LMPJBR-GB-4D9CC-WH ASD-LMPJBR-GB-4D9CC-BZ
Luminous Flux	ASD-LMPJBR-GB-4D9CC-WH ASD-LMPJBR-GB-4D9CC-BZ		630 lm
	Color Temperature	ASD-LMPJBR-GB-6D12CC-WH ASD-LMPJBR-GB-6D12CC-BZ	840 lm
CR1		3,000/4,000/5,000 K	Power Factor
Dimming range		Output voltage	ASD-LMPJBR-GB-4D9CC-WH ASD-LMPJBR-GB-4D9CC-BZ
10-100%			ASD-LMPJBR-GB-6D12CC-WH ASD-LMPJBR-GB-6D12CC-BZ
Dimming compatible controls		LED Driver Class	Class 1
Brand	Lutron CETLV-303P-WH SELV-300P DVELV-300P	Leviton	
Models		6674	
Regular and Voluntary Certifications			
5-year limited warranty	cETLus certified 3194213	Energy Star listed	

PACKAGE CONTENTS:

Description	Q-ty
LED Round Recessed Mini Panel Gimbal	1
Wire Nut (A)	3
Template (B)	1
Box	1
Cut Sheet	2



INSTALLATION GUIDE

IMPORTANT SAFETY INFORMATION:

Please read all the instructions below before installation.

- ▶ Make sure that the supply voltage corresponds to the rated product voltage.
- ▶ The product must be installed by a qualified electrician in accordance with the National Electrical Code and corresponding local codes.
- ▶ If the product is damaged, do not use it.

⚠ WARNING

RISK OF PERSONAL INJURY – READ and follow all WARNINGS and installation instructions.

Keep or give to the owner for future reference.

Risk of cuts: Wear gloves to prevent cuts or abrasions when removing from carton, handling, installing, and maintaining this product.

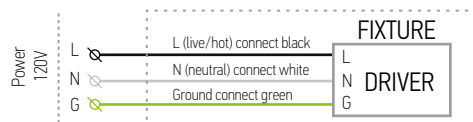
Risk of electric shock: This product must be installed in accordance with the applicable installation code by a person familiar with the construction and operation of the product and the hazards involved.

Risk of Fire: Minimum 194°F supply conductors. Consult a qualified electrician to ensure correct branch circuit conductor.

ASD® assumes no responsibility for claims arising out of improper or careless installation or handling of this product.

For recessed installation: Access above ceiling required. Inherently protected. Vapor barrier must be suitable for 194°F

ELECTRICAL SCHEMATIC DIAGRAM:

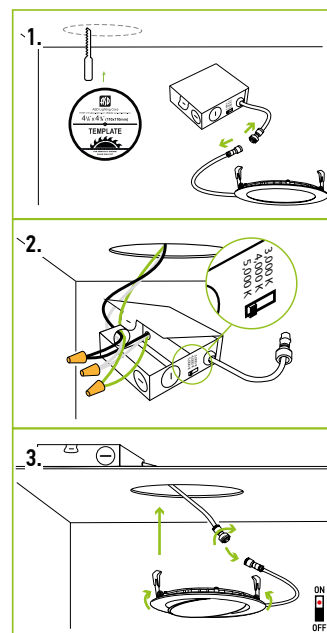


INSTALLATION STEPS:

1. Use template to cut an appropriate sized hole. Disconnect the fixture from the Junction Box.

2. Open Junction box. Connect the wires: Black to Black, White to White, Green to Green. Secure the connection with Wire Nuts. Choose needed color temperature by adjusting the switch. Close the Junction box.

3. Insert the Junction box into the cut hole, leaving the connection cable outside. Connect the fixture to the Junction box inserting the cable and securing it with a cap. Push the spring loaded clips upwards and insert the fixture base into the mounting hole. Release the clips, so the fixture fits snugly.



For most up-to-date spec sheets please refer to asd-lighting.com

ASD LIGHTING CORP

E-mail: orders@asd-lighting.com | Web site: www.asd-lighting.com

