



LED OVAL DOUBLE RING FLUSHMOUNT

► **DESIGN & OPTIONS** - LED OVAL DOUBLE RING FLUSHMOUNT has a modern design, a stylish look with efficient lighting. It is designed to operate on 120-277V circuits. It provides smooth dimming capabilities ranging from 100% to 10% with modern LED dimmers. This fixture also includes a color adjustable option, letting you choose either 3000K, 4000K or 5000K with a simple switch. The 120° beam angle grants you smooth and even lighting. It comes in a 32" size with either a BRONZE or BRUSHED NICKEL finish.

► **INSTALLATION** - Installation is quick and easy: just drive the screws into the outlet box, connect the wires and fix the lamp body on screws. Wire nuts, screws and all installation accessories are provided. Refer to install instructions for detailed steps.

► **APPLICATION** - The LED OVAL DOUBLE RING FLUSHMOUNT provides bright, yet smooth lighting for your family room, bedroom, hallway, corridor, or any other common area in your living space. It can be used as an additional light to an already existing ceiling light as well. This fixture is also Damp location rated.

► **ENERGY SAVINGS & EFFICIENCY** - Replacing an incandescent fixture with LED OVAL DOUBLE RING FLUSHMOUNT can save you 8 times as much on your current energy costs. With a lifespan of 50,000 hours, these fixtures are made to last decades with normal operation! This fixture will save you a significant amount of money in its lifetime.

► **CERTIFICATION & WARRANTY** - Buy with confidence: ASD provides a 5-year warranty along with ETL and ENERGY STAR certifications to guarantee top quality products and safety!

Top US certifications allow participation in rebates; please check the rebate programs available in your state.

Catalog number	
Notes	
Type	



PRODUCT LEGEND:

Family	Voltage	Size	Dimmable	Watts	CCT	Finish
ASD-LFM0V	XX	XX	X	XX	XX	XX
LED Oval Double Ring Flushmount	MV = 120-277 V	32 = 32 inch	D = Dimmable	45 = 45 W	CC = 3,000/4,000/5,000 K	NK = Brushed Nickel BZ = Oil Rubbed Bronze

LED OVAL DOUBLE RING FLUSHMOUNT:

Model	Size	Watts	Voltage	Dimmable	CCT	Lumens	Dimensions (LxWxH)	Finish
ASD-LFM0V-MV-32D45CC-NK	32 inch	45 W	120-277 V	TRIAC	3,000/4,000/5,000 K	4,200 lm	32 1/2" x 18 1/8" x 4 3/4"	Brushed Nickel
ASD-LFM0V-MV-32D45CC-BZ	32 inch	45 W	120-277 V	TRIAC	3,000/4,000/5,000 K	4,200 lm	32 1/2" x 18 1/8" x 4 3/4"	Oil Rubbed Bronze

PRODUCT SPECIFICATIONS:

Construction & Materials		Electrical System			
Lens	White Acrylic	Input Voltage	120-277 V		
Housing	Steel	Max input current	0.7 A		
Finish Color	Brushed Nickel, Oil Rubbed Bronze	Inrush current (Action time)	0.36 A (0.1 S)		
Weight	7.8 lb (3.5 kg)	AC input range	min 100V max 277V		
Environmental System		Off State Power	0 W		
Work Environment	Suitable for Damp Locations	Power Consumption	45 W		
Operating Temperature	-4°F to 131°F / -20°C to 55°C	Power Factor	> 0.9		
L70 life	> 50,000 hrs	Max output current	1 A		
Optical System		LED driver class	Class 2		
Luminous Flux	4,200 lm	Dimming range			
Color Temperature	3,000/4,000/5,000 K	10-100%			
CRI	> 80	Dimming compatible controls			
Regular and Voluntary Certifications		Brand	Lutron	Leviton	
5-year limited warranty		Models	MACL-153MLH	TGCL-153P	P-PKG1W DSL06
cETLus certified 4001256			DVCL-153PR	CTCL-153P	PD-6WCL RNL06
Energy Star listed			STCL-153PH		

For most up-to-date spec sheets please refer to asd-lighting.com



LED OVAL DOUBLE RING FLUSHMOUNT

INSTALLATION GUIDE

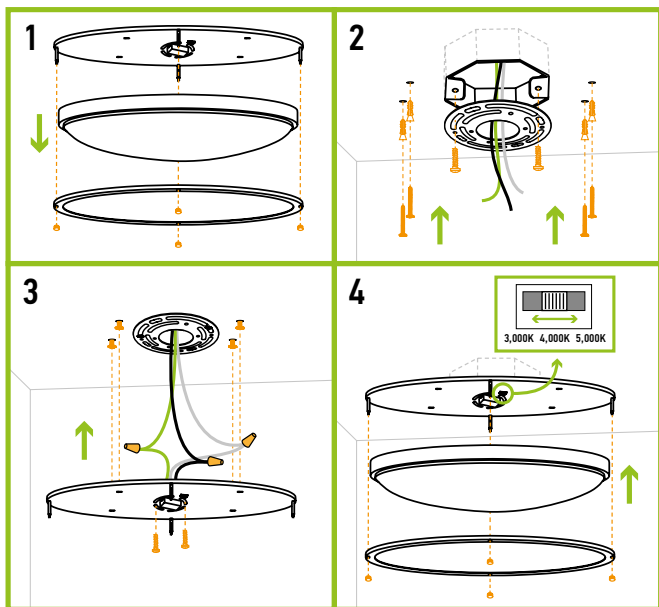
IMPORTANT SAFETY INFORMATION:

Please read all the instructions below before installation.

- ▶ Make sure that the supply voltage corresponds to the rated product voltage.
- ▶ The product must be installed by a qualified electrician in accordance with the National Electrical Code and corresponding local codes.
- ▶ If the product is damaged, do not use it.

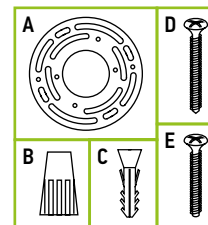
INSTALLATION STEPS:

1. Unscrew cap nuts counter-clockwise and remove the metal ring and the lens.
2. Attach the mounting plate to the outlet box using two screws. If needed, anchors and self-tapping screws can be used to make the installation more secure: drill four appropriate sized holes for anchors, insert anchors into the holes, twist the four self-tapping screws into the anchors.
3. Connect the wires: Black to Black, White to White, Ground to Ground. Attach the back plate to the ceiling by feeding self-tapping screws through keyhole slots, tighten the screws in the narrow end of the keyhole slots. Secure the fixture to the mounting plate using two screws.
4. Choose either 3,000K, 4,000K, or 5,000K with a simple switch. Secure the lens and metal ring to the fixture pan using cap nuts.



PACKAGE CONTENTS:

Description	Q-ty
LED Oval Double Ring Flushmount	1
Mounting plate (A)	1
Wire nut (B)	3
Anchor (C)	4
Screw (D)	4
Self-taping screw (E)	4
Box	1
Cut sheet	2



⚠ WARNING

RISK OF PERSONAL INJURY – READ and follow all WARNINGS and installation instructions.

Keep or give to the owner for future reference.

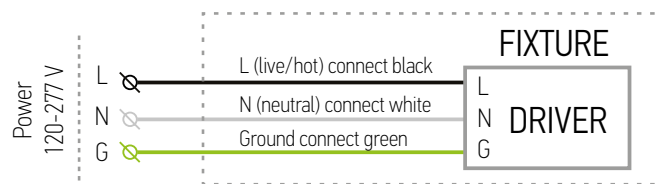
Risk of cuts: Wear gloves to prevent cuts or abrasions when removing from carton, handling, installing, and maintaining this product.

Risk of electric shock: This product must be installed in accordance with the applicable installation code by a person familiar with the construction and operation of the product and the hazards involved.

Risk of Fire: Minimum 194°F supply conductors. Consult a qualified electrician to ensure correct branch circuit conductor.

ASD® assumes no responsibility for claims arising out of improper or careless installation or handling of this product.

ELECTRICAL SCHEMATIC DIAGRAM:



ORDERING INFORMATION

Model	Finish	UPC	Pcs. per Carton	Carton Size	Carton Weight	GTIN-14
ASD-LFM0V-MV-32D45CC-NK	Brushed Nickel	810050732055	2	32.5" x 11.8" x 21.5"	23.2 lb	20810050732059
ASD-LFM0V-MV-32D45CC-BZ	Oil Rubbed Bronze	810050732567	2	32.5" x 11.8" x 21.5"	23.2 lb	10810050732564

For most up-to-date spec sheets please refer to asd-lighting.com

ASD LIGHTING CORP

E-mail: orders@asd-lighting.com | Web site: www.asd-lighting.com

