

# ASD<sup>®</sup> LED SLIM CANOPY

- ▶ **DESIGN** - LED SLIM CANOPY has a die-cast aluminum housing with excellent heat dissipation and anti-glare PC lens with even light distribution. It is designed to operate on 120-277V circuits with a 0-10V dimmable driver. The fixture can be either surface mounted or pole mounted.
- ▶ **SURGE PROTECTION** - 5kV protects the fixture from voltage spikes and current surges.
- ▶ **COLOR AND POWER SELECTABLE** - You can choose either a 3,000K warm white, 4,000K cool white or 5,000K daylight color temperature, and change the power with a simple switch.
- ▶ **APPLICATION** - Perfect commercial or industrial solution for parking garages, gas stations, stairwells, passageways, underpasses, and many other applications. It is also Wet Locations rated.
- ▶ **ADVANTAGES** - With calculated lifespan with more than 50,000 hours, these fixtures are made to last decades under normal operation! ASD provides a 5-year limited warranty along with ETL and DLC Premium certifications to guarantee top quality products and safety!

Catalog number	
Notes	
Type	



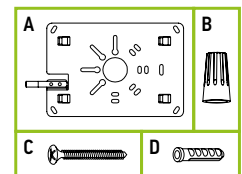
Model	Watts	Voltage	Dimmable	Lumens	CCT	Finish	Dimensions (LxWxH)
ASD-CAN05-A40BR	20/30/40W	120-277 V	0-10 V	5,538/6,054/6,061 lm	3CCT (3,000/4,000/5,000 K)	Bronze	10-1/16" x 10-1/16" x 3-5/16"
ASD-CAN05-A70BR	40/60/70W	120-277 V	0-10 V	9,884/10,757/10,795 lm	3CCT (3,000/4,000/5,000 K)	Bronze	10-1/16" x 10-1/16" x 3-5/16"

## PRODUCT SPECIFICATIONS:

Construction & Materials			Electrical system		
Housing	Aluminum		Input voltage	120-277 V	
Reflector	SPCC		Max input current	ASD-CAN05-A40BR	0.4 A
Lens	PC			ASD-CAN05-A70BR	0.65 A
Finish	Bronze		Inrush current (Action time)	120 A (4 S)	
Weight	ASD-CAN05-A40BR	4.6 lbs (2.1 kg)	Off state power	0W	
	ASD-CAN05-A70BR	5.1 lbs (2.3 kg)	Power consumption	ASD-CAN05-A40BR	20/30/40W
				ASD-CAN05-A70BR	40/60/70W
<b>Environmental system</b>			Power factor	> 0.9	
Work environment	Suitable for Wet Locations, IP65		Output voltage	130 V	
Operating temperature	-22°F to 122°F (-30°C to 50°C)		Max output current	ASD-CAN05-A40BR	0.32 A
L-70 Life	R > 36,000 hrs; C > 141,000			ASD-CAN05-A70BR	0.55 A
<b>Optical system</b>			Surge protection DM/CM	4 kV / 5 kV	
Luminous flux	ASD-CAN05-A40BR	5,538/6,054/6,061 lm			
	ASD-CAN05-A70BR	9,884/10,757/10,795 lm			
Color temperature	3CCT switch (3,000/4,000K/5,000 K), 5,000 K by default				
CRI	> 80				
<b>Dimming compatible controls</b>					
Brand	Leviton	Lutron			
Models	IP710-LFZ	MS-Z101			
<b>Regular and voluntary certifications</b>					
5-year limited warranty					
DesignLights Consortium (DLC) listed (Classification: Premium)					
UL certified E473804					

## PACKAGE CONTENTS:

Description	Q-ty
LED Slim Canopy	1
Mounting plate (A)	1
Wire nut (B)	3
Self-tapping screw (C)	4
Anchor (D)	4
Box	1



For most up-to-date spec sheets please refer to [asd-lighting.com](http://asd-lighting.com)



# LED SLIM CANOPY

## INSTALLATION GUIDE

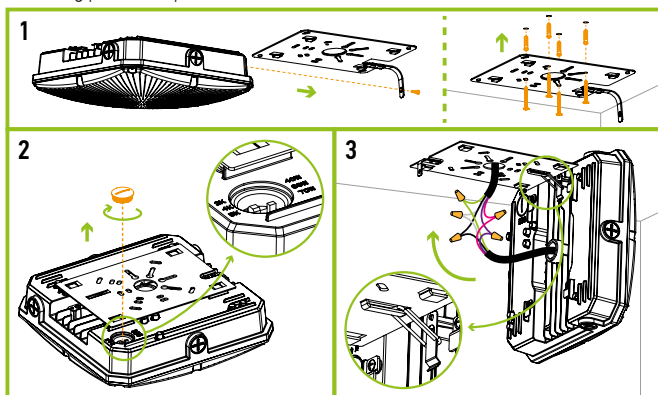
### IMPORTANT SAFETY INFORMATION:

Please read all the instructions below before installation.

- ▶ Make sure that the supply voltage corresponds to the rated product voltage.
- ▶ The product must be installed by a qualified electrician in accordance with the National Electrical Code and corresponding local codes.
- ▶ If the product is damaged, do not use it.

### SURFACE MOUNT WITH A MOUNTING PLATE:

1. Remove the securing screw out of the mounting plate, detach the mounting plate from the fixture housing and secure the plate to a j-box on the ceiling using anchors and self-tapping screws.
2. Adjust color temperature and power (if needed) by unscrewing one big cap in the corner of the fixture and set switches to necessary values.
3. Use hanger on the mounting plate to hold the fixture in place and connect the wires: Black to Black, White to White, Green to Green, Dim+ to Violet, Dim- to Pink and secure connection to the Junction box in the ceiling. Slide the fixture into the mounting plate clamps and secure it with a screw.

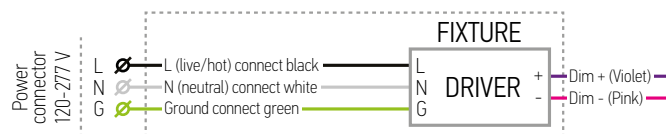


### ⚠ WARNING

**RISK OF PERSONAL INJURY** – READ and follow all WARNINGS and installation instructions. Keep or give to the owner for future reference.  
**Risk of cuts:** Wear gloves to prevent cuts or abrasions when removing from carton, handling, installing, and maintaining this product.  
**Risk of electric shock:** This product must be installed in accordance with the applicable installation code by a person familiar with the construction and operation of the product and the hazards involved.  
**Risk of Fire:** Minimum 194°F supply conductors. Consult a qualified electrician to ensure correct branch circuit conductor.  
 ASD® assumes no responsibility for claims arising out of improper or careless Installation or handling of this product.

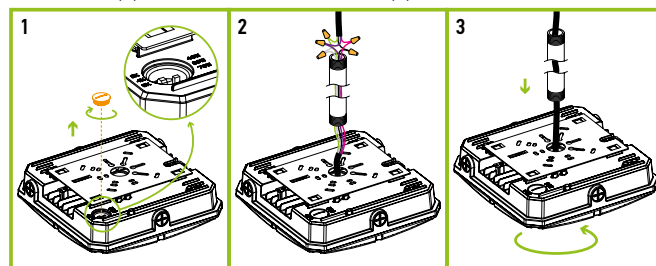
### ELECTRICAL SCHEMATIC DIAGRAM:

CAN05



### POLE MOUNTING INSTALLATION:

1. Adjust color temperature and power (if needed) by unscrewing one big cap in the corner of the fixture and set switches to necessary values.
2. Thread the wires into the pipe, and connect them with terminal caps: Black to Black, White to White, Green to Green, Dim+ to Violet, Dim- to Pink.
3. Screw the pipe into the fixture. Use NPT3/4" pipe.



## ORDERING INFORMATION

Model	UPC	Pcs. per carton	Carton size	Carton weight	UPC
ASD-CAN05-A40BR	810128113489	4	24' x 12' x 10.2'	21.8 lbs	10810128113486
ASD-CAN05-A70BR	810128114417	4	24' x 12' x 10.2'	23.6 lbs	10810128114414

For most up-to-date spec sheets please refer to [asd-lighting.com](http://asd-lighting.com)

ASD LIGHTING CORP

E-mail: [orders@asd-lighting.com](mailto:orders@asd-lighting.com) | Web site: [www.asd-lighting.com](http://www.asd-lighting.com)

