



LED FULL CUTOFF WALLPACK

► **DESIGN** - LED FULL CUTOFF WALLPACK has a die-cast aluminum housing with excellent heat dissipation, anti-glare PC lens with even light distribution, and anti-leakage silicone gaskets. It is equipped with a removable hinge door for quick and easy installation and wiring. It is designed to operate on 120-277V circuits with a 0-10V dimmable driver.

► **NO VISIBLE LIGHT** - above a 90° angle, making it perfect for congested areas where light pollution may be an issue.

► **COLOR AND POWER SELECTABLE** - You can choose either a 3,000K warm white, 4,000K cool white or 5,000K daylight color temperature, and change the power with a simple switch.

► **SURGE PROTECTION** - 6kV protects the fixture from voltage spikes and current surges.

► **INSTALLATION** - The fixture can be mounted to a junction box or directly to a wall. Perfect commercial or industrial solution for outdoor security lighting, wall perimeter lighting, garages, large backyards, warehouses, hotels, and many other applications. It is also Wet Locations rated.

► **ADVANTAGES** - With calculated lifespan up to 144,000 hours, these fixtures are made to last decades under normal operation! ASD provides a 5-year limited warranty along with UL and DLC Premium certifications to guarantee top quality products and safety!



PRODUCT PRESENTATION:

Model	Power	Voltage	Dimming	Lumens	CCT	Finish	Dimensions	Pre-installed	Certification
ASD-WLP03-A50DAC-BR	30/40/50W	120-277V	0-10V	7,031lm	3000/4000/5000K	Bronze	14 3/16" x 9 1/4" x 6 9/16"	Photocell	UL(E473804), DLC Premium
ASD-WLP03-A80DAC-BR	50/60/80W	120-277V	0-10V	10,758lm	3000/4000/5000K	Bronze	14 3/16" x 9 1/4" x 6 9/16"	Photocell	UL(E473804), DLC Premium
ASD-WLP03-A120DAC-BR	80/100/120W	120-277V	0-10V	16,284lm	3000/4000/5000K	Bronze	14 3/16" x 9 1/4" x 6 9/16"	Photocell	UL(E473804), DLC Premium
ASD-WLP03-120D50-BZ	120W	120-277V	0-10V	16,320lm	5000K	Bronze	14 3/16" x 9 1/4" x 6 9/16"	Photocell	UL(E473804), DLC Premium

For detailed luminous flux information please refer to Annex 1, page 3.

TECHNICAL PARAMETERS:

Model	Max input current	Inrush current	Work environment	Operating temperature	Power factor	Beam angle	Surge protection	Housing	Lens	CRI
ASD-WLP03-A50DAC-BR	0.55A	80A	Wet location	-40°F to 122°F (-40°C to 50°C)	>0.9	90°	4kV	Aluminum	PC	> 80
ASD-WLP03-A80DAC-BR	0.80A	80A	Wet location	-40°F to 122°F (-40°C to 50°C)	>0.9	90°	4kV	Aluminum	PC	> 80
ASD-WLP03-A120DAC-BR	1.05A	80A	Wet location	-40°F to 122°F (-40°C to 50°C)	>0.9	90°	4kV	Aluminum	PC	> 80
ASD-WLP03-120D50-BZ	1.05A	80A	Wet location	-40°F to 122°F (-40°C to 50°C)	>0.9	90°	6kV	Aluminum	PC	> 70

DIMMING COMPATIBLE CONTROLS:

Brand	Maxxima	Keygma	Lutron	Leviton	Eaton
Models	MEW-DM600LV	KGM-1A010V	DVSTV-WH	IP710-DLZ	DF10P-C1

PACKAGE CONTENTS:

Description	Quantity
LED Full Cutoff Wallpack	1
Box	1

For most up-to-date spec sheets please refer to asd-lighting.com



LED FULL CUTOFF WALLPACK

INSTALLATION GUIDE

IMPORTANT SAFETY INFORMATION:

Please read all the instructions below before installation!

- ▶ Make sure that the supply voltage corresponds to the rated product voltage.
- ▶ The product must be installed by a qualified electrician in accordance with the National Electrical Code and corresponding local codes.
- ▶ If the product is damaged, do not use it.

⚠ WARNING

Risk of personal injury – read and follow all warnings and installation instructions. Keep or give to the owner for future reference.

Risk of cuts: Wear gloves to prevent cuts or abrasions when removing from carton, handling, installing, and maintaining this product.

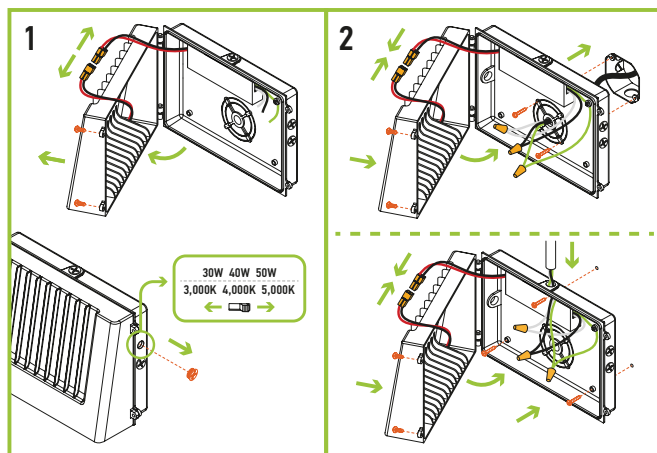
Risk of electric shock: This product must be installed in accordance with the applicable installation code by a person familiar with the construction and operation of the product and the hazards involved.

Risk of Fire: Minimum 194°F supply conductors. Consult a qualified electrician to ensure correct branch circuit conductor.

ASD® assumes no responsibility for claims arising out of improper or careless installation or handling of this product.

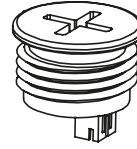
INSTALLATION STEPS:

1. Use a screwdriver to loosen the screws securing the front cover and open the fixture.
2. **Junction box installation:** Drill the mounting holes and secure the fixture on the mounting surface (for more comfortable installation, disconnect red connector and remove the reflector from the back plate, affix backplate to the wall, and attach reflector to the backplate and connect red connector, after wiring will be complete), insert the power cord from junction box. Connect the wires: Black to Black, White to White, Green to Green. Close the front cover and tighten the screws.
3. **Wall installation:** Secure the fixture on the wall (for more comfortable installation, disconnect red connector and remove the reflector from the back plate, affix backplate to the wall, and attach reflector to the backplate and connect red connector, after wiring will be complete) and remove one of the side caps, insert the power cord. Connect the wires: Black to Black, White to White, Green to Green. Close the front cover and tighten the screws. For outdoor locations it is recommended to use silicone (not included).



ACCESSORIES (sold separately):

Photocell
ASD-PC-WLP



ACCESSORY COMPATIBILITY LIST:

Models	Accessories	Photocell ASD-PC-WLP
	ASD-WLP03-A50DAC-BR	
ASD-WLP03-A80DAC-BR		
ASD-WLP03-A120DAC-BR		
ASD-WLP03-120D50-BZ		

BUILT-IN PHOTOCELL INFORMATION

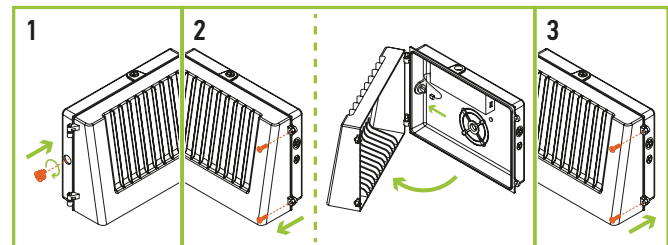
Specifications	
Light level to turn ON	≤ 30 lux (2.8 fc)
Light level to turn OFF	≥ 60 lux (5.6 fc)
Operating temperature	-40°F to 122°F (-40°C to 50°C)

The dusk-to-dawn sensor automatically turns the fixture off during daylight hours.

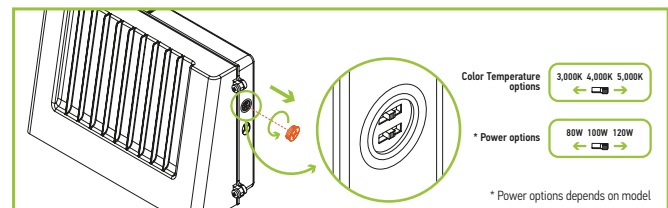
PHOTOCELL INSTALLATION:

ASD-PC-WLP sold separately

1. Remove the knockout on the side of the housing. Screw in the Photocell to the knockout hole.
2. Remove two screws on the side of the fixture, open the fixture, insert connector on black-grey wire to the photocell.
3. Close the fixture and tighten two screws back.



POWER AND COLOR TEMPERATURE SETTINGS FOR AC MODELS:



For most up-to-date spec sheets please refer to asd-lighting.com



LED FULL CUTOFF WALLPACK

ORDERING INFORMATION

Model	Product dimensions	Weight	Pcs. per carton	Carton size	Carton weight	UPC	GTIN 14
ASD-WLP03-A50DAC-BR	14 3/16" x 9 1/4" x 6 9/16"	6.3 lbs (2.8 kg)	4	21.9" x 16.3" x 16"	28.2 lbs	81012811113	10810128111130
ASD-WLP03-A80DAC-BR	14 3/16" x 9 1/4" x 6 9/16"	7.3 lbs (3.3 kg)	4	21.9" x 16.3" x 16"	32.5 lbs	81012811112	10810128111123
ASD-WLP03-A120DAC-BR	14 3/16" x 9 1/4" x 6 9/16"	7.5 lbs (3.4 kg)	4	21.9" x 16.3" x 16"	33.1 lbs	81012811182	10810128111826
ASD-WLP03-120D50-BZ	14 3/16" x 9 1/4" x 6 9/16"	7.3 lbs (3.3 kg)	4	21.9" x 16.3" x 16"	31.7 lbs	81005073634	10810050736340

ACCESSORIES:

Model	Product dimensions	Pcs. per carton	Carton size	Carton weight	UPC	GTIN 14 in carton
ASD-PC-WLP	7/8" x 7/8" x 3/4"	100	5.1" x 4.1" x 10.2"	1.1 lbs	810050735773	30810050735774

ANNEX 1

Model	Watts	3,000K	4,000K	5,000K
ASD-WLP03-A50DAC-BR	30W	4,313lm	4,452lm	4,366lm
	40W	5,576lm	5,805lm	5,593lm
	50W	6,500lm	7,031lm	6,723lm
ASD-WLP03-A80DAC-BR	50W	7,128lm	7,396lm	7,197lm
	60W	8,394lm	8,753lm	8,394lm
	80W	10,400lm	10,758lm	10,208lm
ASD-WLP03-A120DAC-BR	80W	11,452lm	11,817lm	11,642lm
	100W	13,456lm	14,079lm	13,680lm
	120W	15,600lm	16,284lm	16,198lm
ASD-WLP03-120D50-BZ	120W	-	-	16,320lm

Model	BUG rating
ASD-WLP03-A50DAC-BR	B2-U2-G1
ASD-WLP03-A80DAC-BR	B3-U3-G1
ASD-WLP03-A120DAC-BR	B3-U3-G2
ASD-WLP03-120D50-BZ	

For most up-to-date spec sheets please refer to asd-lighting.com