



# LED OUTDOOR WALL SCONCE

► **DESIGN** - LED OUTDOOR WALL SCONCE has a modern, multipurpose design and a stylish look with efficient lighting. The clear seeded glass shade with a 180° beam angle filled with air bubbles emits a luxurious glow. It is designed to operate on 120V circuits and provides smooth triac dimming capabilities ranging from 10% to 100%.

► **COLOR SELECTABLE** - You can choose either a 3,000K warm white, 4,000K cool white or 5,000K daylight color temperature.

► **PHOTOCELL** - The built-in Dusk to Dawn Photocell will automatically turn the fixture on/off depending on the time of day.

► Durable waterproof housing resistant to rust and impact can be used outdoors in all weather conditions.

► **APPLICATION** - The fixture is rated for Wet Locations, making it perfect for indoor and outdoor projects such as decks, front doors, porches, patios, corridors, walkways, or any other common areas.

► **ADVANTAGES** - With a lifespan of 50,000 hours, these fixtures are made to last decades under normal operation! ASD provides a 5-year limited warranty along with ETL certification to guarantee top quality products and safety!

Catalog number	
Notes	
Type	



Model	Size	Watts	Voltage	Dimmable	Lumens	CCT	Finish	Dimensions (LxWxH)	Option
ASD-LWS26S-13D12CC-BK	13 inch	11.5W	120 V	TRIAC	498/566/520 lm	3CCT (3,000/4,000/5,000 K)	Black	4-3/4" x 2-1/2" x 13-3/4"	-
ASD-LWS26S-13D12CC-BK-2PACK	13 inch	11.5W	120 V	TRIAC	498/566/520 lm	3CCT (3,000/4,000/5,000 K)	Black	4-3/4" x 2-1/2" x 13-3/4"	-
ASD-LWS26S-18D12CC-BK	18 inch	11.5W	120 V	TRIAC	428/495/455 lm	3CCT (3,000/4,000/5,000 K)	Black	4-3/4" x 2-1/2" x 17-15/16"	-
ASD-LWS26S-18D12CC-BK-2PACK	18 inch	11.5W	120 V	TRIAC	428/495/455 lm	3CCT (3,000/4,000/5,000 K)	Black	4-3/4" x 2-1/2" x 17-15/16"	-
<b>LWS26S-PC WITH PHOTOCELL</b>									
ASD-LWS26S-13N12CC-PC-BK	13 inch	11.5W	120 V	-	498/566/520 lm	3CCT (3,000/4,000/5,000 K)	Black	4-3/4" x 2-1/2" x 13-7/8"	Photocell
ASD-LWS26S-18N12CC-PC-BK	18 inch	12W	120 V	-	428/495/455 lm	3CCT (3,000/4,000/5,000 K)	Black	4-3/4" x 2-1/2" x 18"	Photocell

## ORDERING INFORMATION

Model	UPC	Pcs. per carton	Carton size	Carton weight	GTIN 14
ASD-LWS26S-13D12CC-BK	810050734868	4	15.4" x 12.4" x 8.1"	18.5 lb	30810050734869
ASD-LWS26S-13D12CC-BK-2PACK	810050737807	2	15.4" x 12.4" x 8.5"	17.5 lb	10810050737804
ASD-LWS26S-18D12CC-BK	810050734875	4	19.5" x 12.4" x 8.1"	23.5 lb	30810050734876
ASD-LWS26S-18D12CC-BK-2PACK	810050737814	2	19.5" x 12.4" x 8.1"	22.5 lb	10810050737811
<b>LWS26S-PC WITH PHOTOCELL</b>					
ASD-LWS26S-13N12CC-PC-BK	810050736763	4	15.4" x 12.4" x 8.1"	18.9 lb	30810050736764
ASD-LWS26S-18N12CC-PC-BK	810128110198	4	19.5" x 12.4" x 8.1"	24.5 lb	10810128110195

For most up-to-date spec sheets please refer to [asd-lighting.com](http://asd-lighting.com)

**ASD LIGHTING CORP**

E-mail: [orders@asd-lighting.com](mailto:orders@asd-lighting.com) | Web site: [www.asd-lighting.com](http://www.asd-lighting.com)





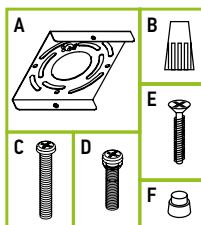
# LED OUTDOOR WALL SCONCE

## PRODUCT SPECIFICATIONS:

Construction & Materials				
Housing	Aluminum			
Lens	Clear seeded glass			
Finish	Black			
Weight	ASD-LWS26S-13D12CC-BK	3.8 lb (1.7 kg)		
	ASD-LWS26S-13D12CC-BK-2PACK	7.6 lb (3.4 kg)		
	ASD-LWS26S-18D12CC-BK	4.7 lb (2.1 kg)		
	ASD-LWS26S-18D12CC-BK-2PACK	9.5 lb (4.3 kg)		
	ASD-LWS26S-13N12CC-PC-BK	3.8 lb (1.7 kg)		
ASD-LWS26S-18N12CC-PC-BK	4.9 lb (2.2 kg)			
Environmental system				
Work environment	Suitable for Wet Locations, IP44			
Operating temperature	-4°F to 122°F (-20°C to 50°C)			
L-70 Life	> 50,000 hrs			
Optical system				
Luminous flux	for 13 inch models: 498/566/520 lm			
	for 18 inch models: 428/495/455 lm			
Color temperature	3CCT (3,000/4,000/5,000 K)			
CRI	> 80			
Electrical system				
Input voltage	120 V			
Max input current	0.16 A			
Inrush current (Action time)	0.1 A (0.1 S)			
Off state power	0W			
Power consumption	11.5W			
Power factor	> 0.9			
Output voltage	36 V			
Max output current	0.3 A			
Surge protection DM/CM	1.25 kV / 1.25 kV			
	2.5 kV / 2.5 kV			
Dimming range				
10-100%				
Dimming compatible controls				
Brand	Lutron	Leviton		
Models	MACL-153MLH	TGCL-153P	P-PKG1W	DSL06
	DVCL-153PR	CTCL-153P	PD-6WCL	RNL06
	STCL-153PH			
Regular and voluntary certifications				
5-year limited warranty	cETLus certified 4001256			

## PACKAGE CONTENTS:

Description	Q-ty
LED Outdoor Wall Sconce	1 (2 for 2pack)
Mounting plate (A)	1
Wire nut (B)	3
Mounting screw (C)	2
Back plate screw (D)	2
Black screw (E)	2
Photozell cap (F) only for PC models	1
Box	1



## BUILT-IN PHOTOCELL INFORMATION

Specifications	Model: MD.EP-120R
Input power	120 VAC, 60HZ
Light level to turn ON	30 - 150 Lux (2.8 - 14 Fc)
Light level to turn OFF	200 - 800 Lux (18.6-74.4 Fc)
Operating temperature	-4°F to 122°F (-20°C to 50°C)

The dusk-to-dawn sensor automatically turns the fixture off during daylight hours.

## INSTALLATION GUIDE

### IMPORTANT SAFETY INFORMATION:

Please read all the instructions below before installation.

- ▶ Make sure that the supply voltage corresponds to the rated product voltage.
- ▶ The product must be installed by a qualified electrician in accordance with the National Electrical Code and corresponding local codes.
- ▶ If the product is damaged, do not use it.

### ⚠ WARNING

**RISK OF PERSONAL INJURY – READ and follow all WARNINGS and installation instructions.** Keep or give to the owner for future reference.

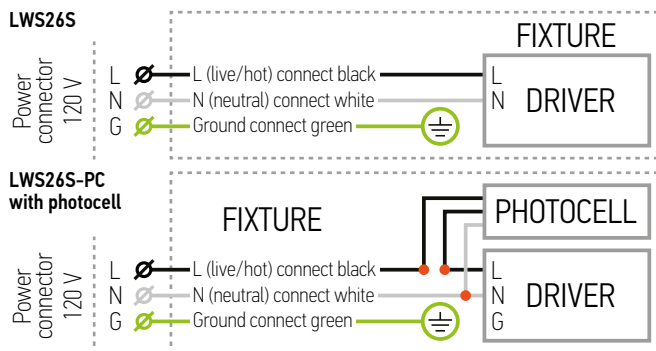
**Risk of cuts:** Wear gloves to prevent cuts or abrasions when removing from carton, handling, installing, and maintaining this product.

**Risk of electric shock:** This product must be installed in accordance with the applicable installation code by a person familiar with the construction and operation of the product and the hazards involved.

**Risk of Fire:** Minimum 194°F supply conductors. Consult a qualified electrician to ensure correct branch circuit conductor.

ASD® assumes no responsibility for claims arising out of improper or careless installation or handling of this product.

### ELECTRICAL SCHEMATIC DIAGRAM:



For most up-to-date spec sheets please refer to [asd-lighting.com](http://asd-lighting.com)



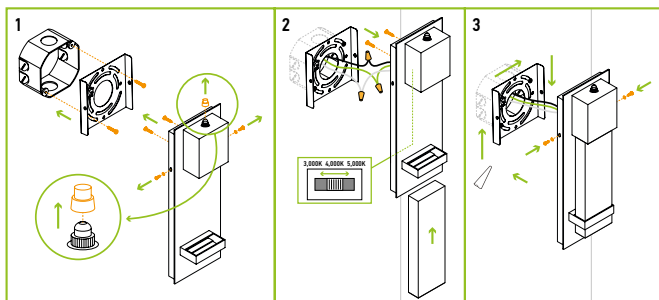
# LED OUTDOOR WALL SCONCE

## INSTALLATION STEPS:

1. Remove the mounting plate by unscrewing the black screws from both sides of the fixture. Unscrew the two screws from the back plate of the fixture. Attach the mounting plate to the outlet box using two mounting screws. In models with photocell option remove the photocell cap to make the dusk-to-dawn sensor operate.

2. Slide the glass through the bracket at the base of the fixture until fully inserted. Attach the glass by using two screws on the back plate of the fixture. Choose needed color temperature by adjusting switch position. Connect the wires: Black to Black, White to White, Ground to Ground. Secure the connection with wire nuts.

3. Attach the fixture to the mounting plate using two black screws on both sides. Before tightening the screws, align the holes of both the fixture and the mounting plate to ensure a solid fit. For outdoor locations please use silicone (not included) shown in the picture below.



For most up-to-date spec sheets please refer to [asd-lighting.com](http://asd-lighting.com)

ASD LIGHTING CORP

E-mail: [orders@asd-lighting.com](mailto:orders@asd-lighting.com) | Web site: [www.asd-lighting.com](http://www.asd-lighting.com)

