



VANITY LIGHT & MINI-PENDANT

VF44 and MP44 series

► **DESIGN** - VANITY LIGHT and MINI-PENDANT have a sleek, classic design that will help transform any space in your home. The height selectable cord allows you to customize the fixture and give it the desired look. Durable housing resistant to rust and impact provides many years of service. The opal glass shades grant you even light distribution. It is designed to operate on 120V circuits.

► **BULBS** - The fixture includes a standard E26 medium base which is compatible with a variety of incandescent, CFL or LED bulbs less than 60W.

► Quick and easy hardwired installation.

► **APPLICATION** - These fixtures create a bright light. VANITY LIGHT is perfect for bathroom spaces or any other common areas. MINIPENDANT is perfect for kitchen tables, bars, living room sitting areas, and workshops. You can hang these pendants one by one or in a group to create a specific style. They are also Damp Locations rated.

► **ADVANTAGES** - ASD provides a 5-year limited warranty along with ETL certification to guarantee top quality products and safety!

Catalog number	
Notes	
Type	



Finish:	Nickel
	Black



VF44-2I



VF44-3I



VF44-4I



Model	Bulb type	Finish	Shade	Dimensions (LxWxH)
VF44 VANITY LIGHT				
ASD-VF44-2I-2660-NK	2 x E26 60W max	Satin nickel	Opal glass	12-5/8" x 6-3/8" x 7-13/16"
ASD-VF44-3I-2660-NK	3 x E26 60W max	Satin nickel	Opal glass	20-1/2" x 6-3/8" x 7-13/16"
ASD-VF44-3I-2660-BK	3 x E26 60W max	Black	Opal glass	20-1/2" x 6-3/8" x 7-13/16"
ASD-VF44-4I-2660-NK	4 x E26 60W max	Satin nickel	Opal glass	28-3/8" x 6-3/8" x 7-13/16"
MP44 MINI-PENDANT				
ASD-MP44-1I-2660-NK	1 x E26 60W max	Satin nickel	Opal glass	4-3/4" x 4-3/4" x 51-3/16"
ASD-MP44-1I-2660-BK	1 x E26 60W max	Black	Opal glass	4-3/4" x 4-3/4" x 51-3/16"

For most up-to-date spec sheets please refer to asd-lighting.com



VANITY LIGHT & MINI-PENDANT

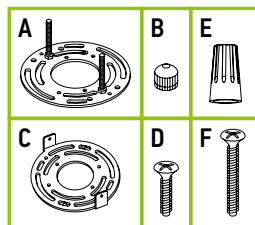
VF44 and MP44 series

PRODUCT SPECIFICATIONS:

Construction & Materials			
Housing	Steel		
Finish	Satin nickel, Black		
Shade	Opal glass		
Weight	ASD-VF44-2I-2660-NK	2.5 lbs (1.1 kg)	
	ASD-VF44-3I-2660-NK	3.4 lb (1.5 kg)	
	ASD-VF44-3I-2660-BK		
	ASD-VF44-4I-2660-NK	4.4 lb (2 kg)	
	ASD-MP44-1I-2660-NK	1.4 lbs (0.6 kg)	
ASD-MP44-1I-2660-BK			
Environmental system			
Work environment	Suitable for Damp Locations		
Operating temperature	-4°F to 113°F (-20°C to 45°C)		
Electrical system			
Input voltage	120 V		
Regular and voluntary certifications			
5-year limited warranty	cETLus certified 4001256		

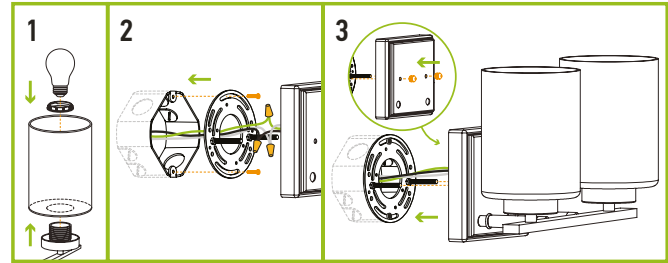
PACKAGE CONTENTS:

Description	Q-ty
Vanity Light or Mini-Pendant	1
Mounting bracket (A) only for Vanity Light	1
Decorative cap nut (B) only for Vanity Light	2
Mounting bracket (C) only for Mini-Pendant	1
Fixture screw (D) only for Mini-Pendant	2
Wire nut (E)	3
Mounting screw (F)	2
Box	1



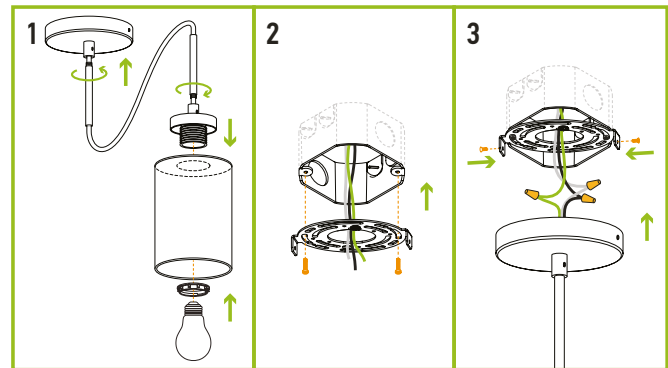
INSTALLATION STEPS VANITY LIGHT:

1. Remove the metal ring from the E26 socket, attach the Glass Shade, insert a bulb and secure it with the metal ring.
2. Drive the mounting screws into the mounting bracket and attach it to the outlet box using two outlet box screws. Connect the wires: Black to Black, White to White, Ground to Ground. Secure the connection with wire nuts. Carefully tuck all wires back into the outlet box.
3. Place the fixture on the wall by aligning the protruding mounting screws through the appropriate holes and tighten the fixture to the wall using two decorative cap nuts.



INSTALLATION STEPS MINI-PENDANT:

1. Remove the metal ring from the E26 socket, attach the Glass Shade, insert a bulb and secure it with the metal ring.
2. Attach the mounting bracket to the outlet box using two mounting screws. Connect the wires: Black to Black, White to White, Ground to Ground. Secure the connection with wire nuts. Carefully tuck all wires back in to the outlet box.
3. Place the fixture to the outlet box by aligning two holes on the ceiling plate to the mounting bracket. Tighten the ceiling plate to the mounting bracket using two fixture screws. Installation complete.



INSTALLATION GUIDE

IMPORTANT SAFETY INFORMATION:

Please read all the instructions below before installation.

- ▶ The product must be installed by a qualified electrician in accordance with the National Electrical Code and corresponding local codes.
- ▶ If the product is damaged, do not use it.

⚠ WARNING

RISK OF PERSONAL INJURY – READ and follow all WARNINGS and installation instructions. Keep or give to the owner for future reference.

Risk of cuts: Wear gloves to prevent cuts or abrasions when removing from carton, handling, installing, and maintaining this product.

ASD® assumes no responsibility for claims arising out of improper or careless installation or handling of this product.

ORDERING INFORMATION

Model	UPC	Pcs. per carton	Carton size	Carton weight	GTIN 14
VF44 VANITY LIGHT					
ASD-VF44-2I-2660-NK	810050732659	6	18.9" x 15.4" x 22.8"	21.8 lbs	20810050732653
ASD-VF44-3I-2660-NK	810050732666	8	24.4" x 21.7" x 22.8"	38.4 lbs	10810050732663
ASD-VF44-3I-2660-BK	810128114554	4	21.7" x 12.8" x 22.8"	20.2 lbs	20810128114558
ASD-VF44-4I-2660-NK	810050732673	4	29.9" x 12.8" x 22.8"	26 lbs	20810050732677
MP44 MINI-PENDANT					
ASD-MP44-1I-2660-NK	810050732680	12	20.9" x 13.8" x 22.8"	26.3 lbs	20810050732684
ASD-MP44-1I-2660-BK	810128114561	12	18.9" x 12.8" x 21.5"	23 lbs	10810128114568

For most up-to-date spec sheets please refer to asd-lighting.com