



# LED DOUBLE RING SEMI-FLUSHMOUNT

► **DESIGN & OPTIONS** - LED DOUBLE RING SEMI-FLUSHMOUNT has a modern, multipurpose design and a stylish look with efficient lighting. It provides smooth dimming capabilities ranging from 10% to 100% with modern LED dimmers. This fixture also includes a color selectable option, allowing you to choose either 3,000K, 4,000K or 5,000K with a simple switch. The 120° beam angle grants you smooth and even lighting. This fixture comes in a 12" size with either a BRONZE or BRUSHED NICKEL finish.

► **INSTALLATION** - Installation is quick and easy: just attach the fixture base to the outlet box, connect the wires and fix the lamp body to the fixture base using hanging bars. Screws, wire nuts and all installation accessories are provided. Refer to install instructions for detailed steps.

► **APPLICATION** - The LED DOUBLE RING SEMI-FLUSHMOUNT provides bright, yet smooth lighting for your family room, bedroom, hallway, corridor, or any other common area in your living space. It can be used as an additional light to an already existing ceiling light as well. This fixture is also Damp Locations rated.

► **ENERGY SAVINGS & EFFICIENCY** - With a lifespan of 50,000 hours, these fixtures are made to last decades under normal operation! This fixture can cut your electric bill by up to 80% instantly and will save you a significant amount of money in its lifetime.

► **CERTIFICATION & WARRANTY** - Buy with confidence: ASD provides a 5-year warranty along with ETL certification to guarantee top quality products and safety!

Catalog number	
Notes	
Type	



Model	Size	Watts	Voltage	Dimmable	Lumens	CCT	Finish	Dimensions (LxWxH)
ASD-LSFDR-12D15CC-NK	12 inch	15W	120 V	TRIAC	1,050 lm	3CCT (3,000/4,000/5,000 K)	Brushed nickel	11-13/16" x 11-13/16" x 10-5/16"
ASD-LSFDR-12D15CC-BZ	12 inch	15W	120 V	TRIAC	1,050 lm	3CCT (3,000/4,000/5,000 K)	Oil rubbed bronze	11-13/16" x 11-13/16" x 10-5/16"

## ORDERING INFORMATION

Model	UPC	Pcs. per carton	Carton size	Carton weight	GTIN 14
ASD-LSFDR-12D15CC-NK	810050732352	4	20.5" x 13.2" x 13.4"	15.7 lb	10810050732359
ASD-LSFDR-12D15CC-BZ	810050732369	4	20.5" x 13.2" x 13.4"	15.7 lb	10810050732366

For most up-to-date spec sheets please refer to [asd-lighting.com](http://asd-lighting.com)



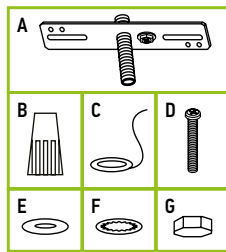
# LED DOUBLE RING SEMI-FLUSHMOUNT

## PRODUCT SPECIFICATIONS:

Construction & Materials	
Housing	Steel
Lens	White acrylic
Finish	Brushed Nickel, Oil Rubbed Bronze
Weight	2.5 lb (1.1 kg)
Environmental system	
Work environment	Suitable for Damp Locations
Operating temperature	-4°F to 131°F / -20°C to 55°C
L-70 Life	> 50,000 hrs
Optical system	
Luminous flux	1,050 lm
Color temperature	3CCT (3,000/4,000/5,000 K)
CRI	> 80
Electrical system	
Input voltage	120 V
Max input current	0.14 A
Inrush current (Action time)	0.125 A (0.1 S)
Off state power	0W
Power consumption	15W
Power factor	> 0.9
Surge protection DM/CM	1.25 kV / 1.25 kV
Dimming range	
10-100%	
Dimming compatible controls	
Brand	Lutron Leviton
Models	MACL-153MLH DSL06
	DVCL-153PR RNL06
	STCL-153PH
	TGCL-153P
	CTCL-153P
	P-PKG1W PD-6WCL
Regular and voluntary certifications	
5-year limited warranty	
cETLus certified 4001256	

## PACKAGE CONTENTS:

Description	Q-ty
LED Double Ring Semi-Flushmount	1
Crossbar (A)	1
Wire nut (B)	3
Ground wire washer (C)	1
1 1/4 inch screw (D)	2
Flat washer (E)	2
Star washer (F)	2
Hex nut (G)	2
Box	1



## INSTALLATION GUIDE

### IMPORTANT SAFETY INFORMATION:

Please read all the instructions below before installation.

- ▶ Make sure that the supply voltage corresponds to the rated product voltage.
- ▶ The product must be installed by a qualified electrician in accordance with the National Electrical Code and corresponding local codes.
- ▶ If the product is damaged, do not use it.

### ⚠ WARNING

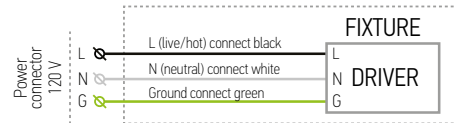
**RISK OF PERSONAL INJURY – READ and follow all WARNINGS and installation instructions.** Keep or give to the owner for future reference.

**Risk of cuts:** Wear gloves to prevent cuts or abrasions when removing from carton, handling, installing, and maintaining this product.

**Risk of electric shock:** This product must be installed in accordance with the applicable installation code by a person familiar with the construction and operation of the product and the hazards involved.

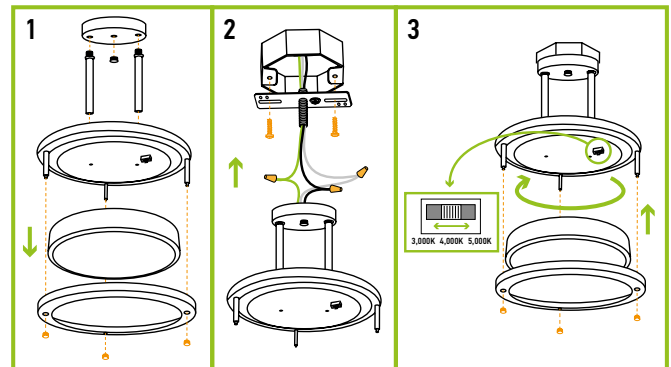
**Risk of Fire:** Minimum 194°F supply conductors. Consult a qualified electrician to ensure correct branch circuit conductor. ASD® assumes no responsibility for claims arising out of improper or careless Installation or handling of this product.

### ELECTRICAL SCHEMATIC DIAGRAM:



### INSTALLATION STEPS:

1. Unscrew the three cap nuts counter-clockwise, remove metal ring and the lens. Attach the rods to the fixture body. Attach the canopy to the rods using flat washer, ground wire washer, star washer and secure with hex nut.
2. Attach the crossbar to the outlet box using screws. Pull out the supply wires from the outlet box. Pull the fixture wires through the rods. Connect the wires: Black to Black, White to White, Ground to Ground. Tuck all the wires back into the outlet box. Place the canopy so that the mounting nipple protrudes through the middle hole. Tighten the cap nut.
3. Choose needed color temperature by adjusting the switch. Secure the lens and metal ring with three cap nuts.



For most up-to-date spec sheets please refer to [asd-lighting.com](http://asd-lighting.com)