



# LED OUTDOOR WALL SCONCE

## OLWS-21 series

► **DESIGN** - LED OUTDOOR WALL SCONCE has a modern, multipurpose design and a stylish look with efficient lighting. The UV resistant PMMA lens with a 120° beam angle grants you even light distribution. It is designed to operate on 120V or 120-277V circuits and provides smooth triac dimming capabilities ranging from 10% to 100%.

► **MOTION SENSOR** - The built-in infrared motion sensor will turn off the fixture automatically when no motion is detected. Installation height 3-6ft, Detection range up to 26ft, Holdtime 60 sec, Light Threshold 60-300Lux

► **COLOR SELECTABLE** - You can choose either a 3,000K warm white, 4,000K cool white or 5,000K daylight color temperature.

► **RGBW** - The fixture has RGBW design with APP control. You can easily select Red, Green, Blue, White (2,700K-6,500K) colors or its' combinations, having 16.7 million colors in total. You can also choose lighting patterns and set up a schedule, having a great variety of good looking effects. All of it is easily controlled by Smart APP on your Smartphone. The fixture is also compatible with Alexa and Google Assistant.

► Durable waterproof housing resistant to rust and impact can be used outdoors in all weather conditions.

► **APPLICATION** - The fixture is rated for Wet Locations, making it perfect for indoor and outdoor projects such as decks, front doors, porches, patios, corridors, walkways, or any other common areas.

► **ADVANTAGES** - With a lifespan of 50,000 hours, these fixtures are made to last decades under normal operation! ASD provides a 5-year limited warranty along with ETL and Energy Star certifications to guarantee top quality products and safety!

Catalog number	
Notes	
Type	



Finish:	Nickel
	Bronze
	Black

Model	Size	Watts	Voltage	Dimmable	Lumens	CCT	Finish	Dimensions (LxWxH)	Pre-installed
<b>OLWS-21</b>									
ASD-OLWS-21-D15CC-NK	10 inch	15W	120 V	TRIAC	up to 1,098 lm	3CCT (3,000/4,000/5,000 K)	Nickel	7" x 3-1/4" x 9-15/16"	-
ASD-OLWS-21-10D15CC-NK-2PACK	10 inch	15W	120 V	TRIAC	up to 1,098 lm	3CCT (3,000/4,000/5,000 K)	Nickel	7" x 3-1/4" x 9-15/16"	-
ASD-OLWS-21-D15CC-BZ	10 inch	15W	120 V	TRIAC	up to 1,098 lm	3CCT (3,000/4,000/5,000 K)	Bronze	7" x 3-1/4" x 9-15/16"	-
ASD-OLWS-21-10D15CC-BZ-2PACK	10 inch	15W	120 V	TRIAC	up to 1,098 lm	3CCT (3,000/4,000/5,000 K)	Bronze	7" x 3-1/4" x 9-15/16"	-
ASD-OLWS-21-MV-10D15CC-NK	10 inch	15W	120-277 V	TRIAC	up to 1,361 lm	3CCT (3,000/4,000/5,000 K)	Nickel	7" x 3-1/4" x 10"	-
ASD-OLWS-21-MV-10D15CC-BZ	10 inch	15W	120-277 V	TRIAC	up to 1,361 lm	3CCT (3,000/4,000/5,000 K)	Bronze	7" x 3-1/4" x 10"	-
ASD-OLWS-21-MV-10D15CC-BK	10 inch	15W	120-277 V	TRIAC	up to 1,361 lm	3CCT (3,000/4,000/5,000 K)	Black	7" x 3-1/4" x 10"	-
ASD-OLWS-21-MV-18D20CC-NK	18 inch	20W	120-277 V	TRIAC	up to 2,457 lm	3CCT (3,000/4,000/5,000 K)	Nickel	7" x 3-1/4" x 17-15/16"	-
ASD-OLWS-21-MV-18D20CC-BZ	18 inch	20W	120-277 V	TRIAC	up to 2,457 lm	3CCT (3,000/4,000/5,000 K)	Bronze	7" x 3-1/4" x 17-15/16"	-
ASD-OLWS-21-MV-18D20CC-BK	18 inch	20W	120-277 V	TRIAC	up to 2,457 lm	3CCT (3,000/4,000/5,000 K)	Black	7" x 3-1/4" x 17-15/16"	-
ASD-OLWS-21-MV-24D25CC-NK	24 inch	25W	120-277 V	TRIAC	up to 3,017 lm	3CCT (3,000/4,000/5,000 K)	Nickel	7" x 3-1/4" x 23-13/16"	-
ASD-OLWS-21-MV-24D25CC-BZ	24 inch	25W	120-277 V	TRIAC	up to 3,017 lm	3CCT (3,000/4,000/5,000 K)	Bronze	7" x 3-1/4" x 23-13/16"	-
ASD-OLWS-21-MV-24D25CC-BK	24 inch	25W	120-277 V	TRIAC	up to 3,017 lm	3CCT (3,000/4,000/5,000 K)	Black	7" x 3-1/4" x 23-13/16"	-
ASD-OLWS-21-MV-36D30CC-NK	36 inch	30W	120-277 V	TRIAC	up to 3,268 lm	3CCT (3,000/4,000/5,000 K)	Nickel	7" x 3-1/4" x 36"	-
ASD-OLWS-21-MV-36D30CC-BK	36 inch	30W	120-277 V	TRIAC	up to 3,268 lm	3CCT (3,000/4,000/5,000 K)	Black	7" x 3-1/4" x 36"	-
<b>OLWS-21GR WITH GRID</b>									
ASD-OLWS-21GR-MV-24D25NK	24 inch	25W	120-277 V	TRIAC	up to 2,183 lm	3CCT (3,000/4,000/5,000 K)	Nickel	6-1/2" x 3" x 23-11/16"	-
ASD-OLWS-21GR-MV-24D25BK	24 inch	25W	120-277 V	TRIAC	up to 2,183 lm	3CCT (3,000/4,000/5,000 K)	Black	6-1/2" x 3" x 23-11/16"	-
ASD-OLWS-21GR-MV-36D30NK	36 inch	30W	120-277 V	TRIAC	up to 2,465 lm	3CCT (3,000/4,000/5,000 K)	Nickel	6-1/2" x 3" x 35-7/8"	-
ASD-OLWS-21GR-MV-36D30BK	36 inch	30W	120-277 V	TRIAC	up to 2,465 lm	3CCT (3,000/4,000/5,000 K)	Black	6-1/2" x 3" x 35-7/8"	-
<b>OLWS-21-RGBW</b>									
ASD-OLWS-21-MV-10D15SM-RGBW-NK	10 inch	15W	120-277 V	SMART APP	up to 1,188 lm	Red-Green-Blue-2,700K-6,500 K	Nickel	7" x 3-1/4" x 10"	-
ASD-OLWS-21-MV-10D15SM-RGBW-BK	10 inch	15W	120-277 V	SMART APP	up to 1,188 lm	Red-Green-Blue-2,700K-6,500 K	Black	7" x 3-1/4" x 10"	-
ASD-OLWS-21-MV-24D23SM-RGBW-NK	24 inch	23W	120-277 V	SMART APP	up to 2,274 lm	Red-Green-Blue-2,700K-6,500 K	Nickel	7" x 3-1/4" x 23-13/16"	-
ASD-OLWS-21-MV-24D23SM-RGBW-BK	24 inch	23W	120-277 V	SMART APP	up to 2,274 lm	Red-Green-Blue-2,700K-6,500 K	Black	7" x 3-1/4" x 23-13/16"	-

For most up-to-date spec sheets please refer to [asd-lighting.com](http://asd-lighting.com)



# LED OUTDOOR WALL SCNCE

## OLWS-21 series

Model	Size	Watts	Voltage	Dimmable	Lumens	CCT	Finish	Dimensions (LxWxH)	Pre-installed
<b>OLWS-21-MS WITH MOTION SENSOR</b>									
ASD-OLWS-21-10N15NK-MS	10 inch	15W	120-277 V	-	up to 1,172 lm	3CCT (3,000/4,000/5,000 K)	Nickel	7" x 3-9/16" x 9-15/16"	Motion sensor
ASD-OLWS-21-10N15BK-MS	10 inch	15W	120-277 V	-	up to 1,172 lm	3CCT (3,000/4,000/5,000 K)	Black	7" x 3-9/16" x 9-15/16"	Motion sensor
ASD-OLWS-21-18N20NK-MS	18 inch	20W	120-277 V	-	up to 2,002 lm	3CCT (3,000/4,000/5,000 K)	Nickel	7" x 3-9/16" x 17-15/16"	Motion sensor
ASD-OLWS-21-18N20BK-MS	18 inch	20W	120-277 V	-	up to 2,002 lm	3CCT (3,000/4,000/5,000 K)	Black	7" x 3-9/16" x 17-15/16"	Motion sensor
<b>OLWS-21-PC WITH PHOTOCCELL</b>									
ASD-OLWS-21-N15CC-PC-NK	10 inch	15W	120 V	-	up to 1,098 lm	3CCT (3,000/4,000/5,000 K)	Nickel	7" x 3-1/4" x 10-7/16"	Photocell
ASD-OLWS-21-10N15CC-PC-NK-2PACK	10 inch	15W	120 V	-	up to 1,098 lm	3CCT (3,000/4,000/5,000 K)	Nickel	7" x 3-1/4" x 10-7/16"	Photocell
ASD-OLWS-21-N15CC-PC-BZ	10 inch	15W	120 V	-	up to 1,098 lm	3CCT (3,000/4,000/5,000 K)	Bronze	7" x 3-1/4" x 10-7/16"	Photocell
ASD-OLWS-21-10N15CC-PC-BZ-2PACK	10 inch	15W	120 V	-	up to 1,098 lm	3CCT (3,000/4,000/5,000 K)	Bronze	7" x 3-1/4" x 10-7/16"	Photocell
ASD-OLWS-21-MV-10N15NK-PC	10 inch	15W	120-277 V	-	up to 1,281 lm	3CCT (3,000/4,000/5,000 K)	Nickel	7" x 3-1/4" x 10-7/16"	Photocell
ASD-OLWS-21-MV-10N15BK-PC	10 inch	15W	120-277 V	-	up to 1,281 lm	3CCT (3,000/4,000/5,000 K)	Black	7" x 3-1/4" x 10-7/16"	Photocell

For detailed luminous flux information please refer to Annex 1, page 7.

## PRODUCT SPECIFICATIONS:

Construction & Materials			
Housing	Aluminum	for MV models: Steel	
Lens	PMMA	for MV models: Acrylic	
Finish	Nickel, Bronze, Black		
Weight	ASD-OLWS-21-D15CC-NK	1.8 lbs (0.8 kg)	ASD-OLWS-21GR-MV-36D30NK
	ASD-OLWS-21-10D15CC-NK-2PACK	4.4 lbs (2 kg)	ASD-OLWS-21GR-MV-36D30BK
	ASD-OLWS-21-D15CC-BZ	1.8 lbs (0.8 kg)	ASD-OLWS-21-MV-10D15SM-RGBW-NK
	ASD-OLWS-21-10D15CC-BZ-2PACK	4.4 lbs (2 kg)	ASD-OLWS-21-MV-10D15SM-RGBW-BK
	ASD-OLWS-21-MV-10D15CC-NK	2.2 lbs (1 kg)	ASD-OLWS-21-MV-24D23SM-RGBW-NK
	ASD-OLWS-21-MV-10D15CC-BZ		ASD-OLWS-21-MV-24D23SM-RGBW-BK
	ASD-OLWS-21-MV-10D15CC-BK	3.7 lbs (1.7 kg)	ASD-OLWS-21-10N15NK-MS
	ASD-OLWS-21-MV-18D20CC-NK		ASD-OLWS-21-10N15BK-MS
	ASD-OLWS-21-MV-18D20CC-BZ		ASD-OLWS-21-18N20NK-MS
	ASD-OLWS-21-MV-18D20CC-BK	4.5 lbs (2 kg)	ASD-OLWS-21-18N20BK-MS
	ASD-OLWS-21-MV-24D25CC-NK		ASD-OLWS-21-N15CC-PC-NK
	ASD-OLWS-21-MV-24D25CC-BZ		ASD-OLWS-21-10N15CC-PC-NK-2PACK
	ASD-OLWS-21-MV-24D25CC-BK	6.2 lbs (2.8 kg)	ASD-OLWS-21-N15CC-PC-BZ
	ASD-OLWS-21-MV-36D30CC-NK		ASD-OLWS-21-10N15CC-PC-BZ-2PACK
ASD-OLWS-21-MV-36D30CC-BK	ASD-OLWS-21-MV-10N15NK-PC		
ASD-OLWS-21GR-MV-24D25NK	4.7 lbs (2.1 kg)	ASD-OLWS-21-MV-10N15BK-PC	
ASD-OLWS-21GR-MV-24D25BK			
Environmental system			
Work environment	Suitable for Wet Locations		
Operating temperature	-40°F to 113°F (-40°C to 45°C)	for PC models: -4°F to 113°F (-20°C to 45°C)	
L-70 Life	> 50,000 hrs		
Optical system			
Color temperature	3CCT switch (3,000/4,000/5,000 K), 3,000 K by default from Red-Green-Blue-2,700K-6,500 K with smart app		
CRI	> 80		
Electrical system			
Input voltage	120 V for MV models: 120-277 V		

For most up-to-date spec sheets please refer to [asd-lighting.com](http://asd-lighting.com)



# LED OUTDOOR WALL SCONCE

## OLWS-21 series

Electrical system					
Max input current	ASD-OLWS-21-D15CC-NK	0.19 A	ASD-OLWS-21GR-MV-36D30NK	0.38 A	
	ASD-OLWS-21-10D15CC-NK-2PACK		ASD-OLWS-21GR-MV-36D30BK		
	ASD-OLWS-21-D15CC-BZ		ASD-OLWS-21-MV-10D15SM-RGBW-NK	0.3 A	
	ASD-OLWS-21-10D15CC-BZ-2PACK	ASD-OLWS-21-MV-10D15SM-RGBW-BK			
	ASD-OLWS-21-MV-10D15CC-NK	0.25 A	ASD-OLWS-21-MV-24D23SM-RGBW-NK	0.4 A	
	ASD-OLWS-21-MV-10D15CC-BZ		ASD-OLWS-21-MV-24D23SM-RGBW-BK		
	ASD-OLWS-21-MV-10D15CC-BK	0.18 A	ASD-OLWS-21-10N15NK-MS	0.19 A	
	ASD-OLWS-21-MV-18D20CC-NK		ASD-OLWS-21-10N15BK-MS		
	ASD-OLWS-21-18D20CC-BZ		ASD-OLWS-21-18N20NK-MS	0.25 A	
	ASD-OLWS-21-MV-18D20CC-BK	ASD-OLWS-21-18N20BK-MS			
	ASD-OLWS-21-MV-24D25CC-NK	0.23 A	ASD-OLWS-21-N15CC-PC-NK	0.19 A	
	ASD-OLWS-21-MV-24D25CC-BZ		ASD-OLWS-21-10N15CC-PC-NK-2PACK		
	ASD-OLWS-21-MV-24D25CC-BK	ASD-OLWS-21-N15CC-PC-BZ			
	ASD-OLWS-21-MV-36D30CC-NK	0.28 A	ASD-OLWS-21-10N15CC-PC-BZ-2PACK	0.25 A	
	ASD-OLWS-21-MV-36D30CC-BK		ASD-OLWS-21-MV-10N15NK-PC		
	ASD-OLWS-21GR-MV-24D25NK	0.38 A	ASD-OLWS-21-MV-10N15BK-PC		
ASD-OLWS-21GR-MV-24D25BK					
Inrush current (Action time)	ASD-OLWS-21-D15CC-NK	0.12 A (0.1 S)	ASD-OLWS-21GR-MV-36D30NK	0.25 A (0.1 S)	
	ASD-OLWS-21-10D15CC-NK-2PACK		ASD-OLWS-21GR-MV-36D30BK		
	ASD-OLWS-21-D15CC-BZ		ASD-OLWS-21-MV-10D15SM-RGBW-NK	0.23 A (0.1 S)	
	ASD-OLWS-21-10D15CC-BZ-2PACK	ASD-OLWS-21-MV-10D15SM-RGBW-BK			
	ASD-OLWS-21-MV-10D15CC-NK	0.13 A (0.1 S)	ASD-OLWS-21-MV-24D23SM-RGBW-NK	0.27 A (0.1 S)	
	ASD-OLWS-21-MV-10D15CC-BZ		ASD-OLWS-21-MV-24D23SM-RGBW-BK		
	ASD-OLWS-21-MV-10D15CC-BK	0.17 A (0.1 S)	ASD-OLWS-21-10N15NK-MS	0.15 A (0.1 S)	
	ASD-OLWS-21-MV-18D20CC-NK		ASD-OLWS-21-10N15BK-MS		
	ASD-OLWS-21-18D20CC-BZ		ASD-OLWS-21-18N20NK-MS	0.17 A (0.1 S)	
	ASD-OLWS-21-MV-18D20CC-BK	ASD-OLWS-21-18N20BK-MS			
	ASD-OLWS-21-MV-24D25CC-NK	0.21 A (0.1 S)	ASD-OLWS-21-N15CC-PC-NK	0.12 A (0.1 S)	
	ASD-OLWS-21-MV-24D25CC-BZ		ASD-OLWS-21-10N15CC-PC-NK-2PACK		
	ASD-OLWS-21-MV-24D25CC-BK	ASD-OLWS-21-N15CC-PC-BZ			
	ASD-OLWS-21-MV-36D30CC-NK	0.25 A (0.1 S)	ASD-OLWS-21-10N15CC-PC-BZ-2PACK	0.13 A (0.1 S)	
	ASD-OLWS-21-MV-36D30CC-BK		ASD-OLWS-21-MV-10N15NK-PC		
	ASD-OLWS-21GR-MV-24D25NK	0.21 A (0.1 S)	ASD-OLWS-21-MV-10N15BK-PC		
ASD-OLWS-21GR-MV-24D25BK					
Off state power	0W				
Power consumption	ASD-OLWS-21-D15CC-NK	15W	ASD-OLWS-21GR-MV-36D30NK	30W	
	ASD-OLWS-21-10D15CC-NK-2PACK		ASD-OLWS-21GR-MV-36D30BK		
	ASD-OLWS-21-D15CC-BZ		ASD-OLWS-21-MV-10D15SM-RGBW-NK	15W	
	ASD-OLWS-21-10D15CC-BZ-2PACK	ASD-OLWS-21-MV-10D15SM-RGBW-BK			
	ASD-OLWS-21-MV-10D15CC-NK	20W	ASD-OLWS-21-MV-24D23SM-RGBW-NK	23W	
	ASD-OLWS-21-MV-10D15CC-BZ		ASD-OLWS-21-MV-24D23SM-RGBW-BK		
	ASD-OLWS-21-MV-10D15CC-BK	15W	ASD-OLWS-21-10N15NK-MS	15W	
	ASD-OLWS-21-MV-18D20CC-NK		ASD-OLWS-21-10N15BK-MS		
	ASD-OLWS-21-18D20CC-BZ		ASD-OLWS-21-18N20NK-MS	20W	
	ASD-OLWS-21-MV-18D20CC-BK	ASD-OLWS-21-18N20BK-MS			
	ASD-OLWS-21-MV-24D25CC-NK	25W	ASD-OLWS-21-N15CC-PC-NK	15W	
	ASD-OLWS-21-MV-24D25CC-BZ		ASD-OLWS-21-10N15CC-PC-NK-2PACK		
	ASD-OLWS-21-MV-24D25CC-BK	ASD-OLWS-21-N15CC-PC-BZ			
	ASD-OLWS-21-MV-36D30CC-NK	30W	ASD-OLWS-21-10N15CC-PC-BZ-2PACK	15W	
	ASD-OLWS-21-MV-36D30CC-BK		ASD-OLWS-21-MV-10N15NK-PC		
	ASD-OLWS-21GR-MV-24D25NK	25W	ASD-OLWS-21-MV-10N15BK-PC		
ASD-OLWS-21GR-MV-24D25BK					
Power factor	> 0.9				
Output voltage	-	for MV 10" models: 21-40 V	for MV 18-36" models: 18-40 V	for GR and MS models: 27-40 V	for RGBW models: 24 V

For most up-to-date spec sheets please refer to [asd-lighting.com](http://asd-lighting.com)



# LED OUTDOOR WALL SCONCE

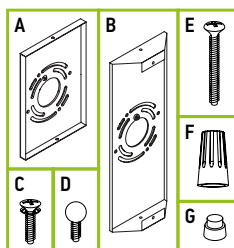
## OLWS-21 series

Electrical system					
Max output current	ASD-OLWS-21-D15CC-NK	-	ASD-OLWS-21GR-MV-36D30NK	0.7 A	
	ASD-OLWS-21-10D15CC-NK-2PACK		ASD-OLWS-21GR-MV-36D30BK		
	ASD-OLWS-21-D15CC-BZ		ASD-OLWS-21-MV-10D15SM-RGBW-NK	0.6 A	
	ASD-OLWS-21-10D15CC-BZ-2PACK		ASD-OLWS-21-MV-10D15SM-RGBW-BK		
	ASD-OLWS-21-MV-10D15CC-NK		ASD-OLWS-21-MV-24D23SM-RGBW-NK	1 A	
	ASD-OLWS-21-MV-10D15CC-BZ		ASD-OLWS-21-MV-24D23SM-RGBW-BK		
	ASD-OLWS-21-MV-10D15CC-BK		ASD-OLWS-21-10N15NK-MS	0.35 A	
	ASD-OLWS-21-MV-18D20CC-NK		ASD-OLWS-21-10N15BK-MS		
	ASD-OLWS-21-MV-18D20CC-BZ		ASD-OLWS-21-18N20NK-MS	0.5 A	
	ASD-OLWS-21-MV-18D20CC-BK		ASD-OLWS-21-18N20BK-MS		
	ASD-OLWS-21-MV-24D25CC-NK		ASD-OLWS-21-N15CC-PC-NK	-	
	ASD-OLWS-21-MV-24D25CC-BZ		ASD-OLWS-21-10N15CC-PC-NK-2PACK		
	ASD-OLWS-21-MV-24D25CC-BK		ASD-OLWS-21-N15CC-PC-BZ		
	ASD-OLWS-21-MV-36D30CC-NK		ASD-OLWS-21-10N15CC-PC-BZ-2PACK		
	ASD-OLWS-21-MV-36D30CC-BK		ASD-OLWS-21-MV-10N15NK-PC	0.35 A	
	ASD-OLWS-21GR-MV-24D25NK		ASD-OLWS-21-MV-10N15BK-PC		
	ASD-OLWS-21GR-MV-24D25BK				
	Surge protection DM/CM		1.25 kV / 1.25 kV	for RGBW models: 2.5 kV / 1.25 kV	for MS models: 2.5 kV / 2.5 kV
Dimming range					
10-100%					
Dimming compatible controls					
Brand	Lutron			Leviton	
Models	MACL-153MLH-WH	STCL-153PH-WH	PD-6WCL-WH-R	DVCL-153PR	
				P-PKG1W	
				R02-DW6HD-2RW	
				R00-RNL06-0TW	
				R68-06674-P0T	
				DSL06	
Regular and voluntary certifications					
5-year limited warranty					
Energy Star listed (for ASD-OLWS-21-D15CC-NK, ASD-OLWS-21-D15CC-BZ models)					
cETLus certified 4001256					

\* The list of dimmers is relevant for models without a motion sensor.

### PACKAGE CONTENTS FOR 10" MODELS:

Description	Quantity
LED Outdoor Wall Sconce	1 (2 for 2pack)
Mounting plate (A) for regular models	1
Mounting plate (B) for MV models	1
Fixture screw (C)	2
Decorative screw (D) for MV models	2
Mounting screw (E)	2
Wire nut (F)	3
Photocell cap (G) for PC models	1
Box	1

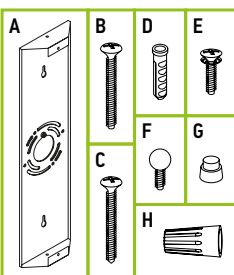


## BUILT-IN MOTION SENSOR INFORMATION

Specifications	
Operating voltage	12 Vdc ± 1 V
Standby power	max 0.5W
Warm-up time	15 ± 5 s
Hold-time	60 ± 10 s
Daylight threshold	OFF → ON: 10-60 lux (0.9-5.5 fc); ON → OFF: max 300 lux (27.8 fc)
Mounting height	max 3.2-6.5 ft (1.8-2.2 m) wall mounted
Detection range	min 26.2 x 393.7 ft (8 x 120 m) wall mounted
Operating temperature	-22 to 122°F (-30 to 50°C)

### PACKAGE CONTENTS FOR 18-36" MODELS:

Description	Quantity
LED Outdoor Wall Sconce	1
Mounting plate (A)	1
Mounting screw (B)	2
Self-tapping screw (C)	2 (4 for 24-36")
Fixture screw (D)	2
Decorative screw (E)	2
Wire nut (F)	3
Anchor (G)	2 (4 for 24-36")
Photocell cap (H) for PC models	1
Box	1



## BUILT-IN PHOTOCELL INFORMATION

Specifications	
Input power	120 Vac, 60 Hz
Light level to turn ON	30 ~ 150 lux (2.8 -14 fc)
Light level to turn OFF	200 ~ 800 lux (18.6-74.4 fc)
Operating temperature	-4°F to 122°F (-20°C to 50°C)

The dusk-to-dawn sensor automatically turns the fixture off during daylight hours.

For most up-to-date spec sheets please refer to [asd-lighting.com](http://asd-lighting.com)



# LED OUTDOOR WALL SCONCE

OLWS-21 series

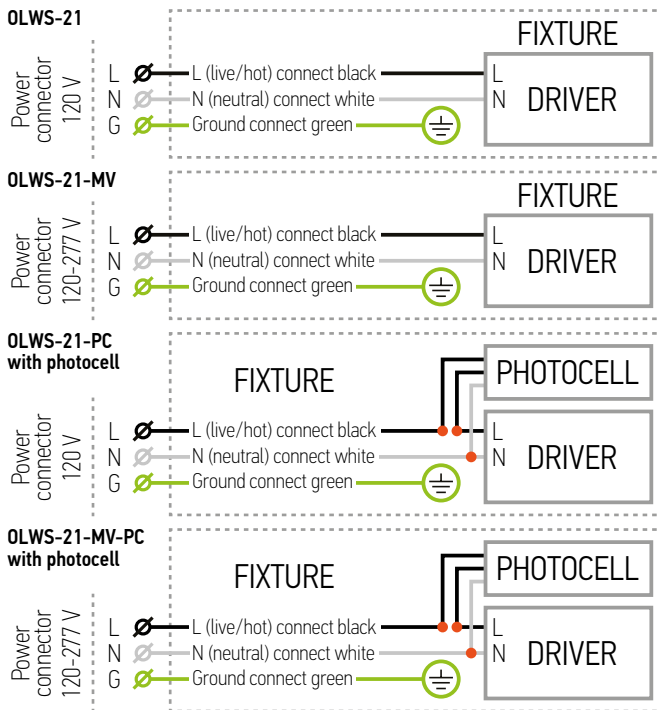
## INSTALLATION GUIDE

### IMPORTANT SAFETY INFORMATION:

Please read all the instructions below before installation.

- ▶ Make sure that the supply voltage corresponds to the rated product voltage.
- ▶ The product must be installed by a qualified electrician in accordance with the National Electrical Code and corresponding local codes.
- ▶ If the product is damaged, do not use it.

### ELECTRICAL SCHEMATIC DIAGRAM:



#### Adding the fixture to ASD SMART APP:

1. Download ASD SMART APP
2. Tap "+" in the upper-right hand corner.
3. Select "Add a device" section.
4. Follow APP instructions.
5. The fixture must be found by the APP and appear on the screen.
6. Adding ASD Smart LED Outdoor Wall Sconce is complete.

[Manual](#)



[ASD SMART app download Android](#)

[ASD SMART app download iOS](#)



### ⚠ WARNING

**Risk of personal injury** – read and follow all warnings and installation instructions. Keep or give to the owner for future reference.

**Risk of cuts:** Wear gloves to prevent cuts or abrasions when removing from carton, handling, installing, and maintaining this product.

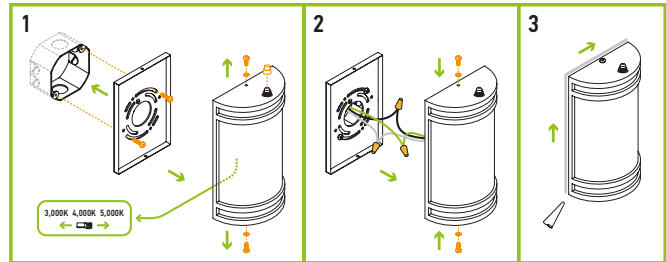
**Risk of electric shock:** This product must be installed in accordance with the applicable installation code by a person familiar with the construction and operation of the product and the hazards involved.

**Risk of Fire:** Minimum 194°F supply conductors. Consult a qualified electrician to ensure correct branch circuit conductor.

ASD® assumes no responsibility for claims arising out of improper or careless installation or handling of this product.

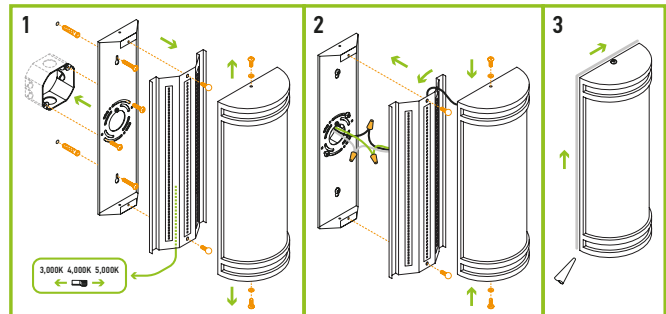
### INSTALLATION STEPS FOR 10" MODELS:

1. Unscrew the two fixture screws from the top and the bottom of the wall sconce. Remove the wall plate and attach it to the outlet box using two mounting screws. Choose preferred color temperature by adjusting the switch position inside the fixture. Remove the photocell cap to make the dusk-to-dawn sensor operate.
2. Connect the wires: Black to Black, White to White, Ground to Ground. Secure the connection with wire nuts. Attach the LED panel to the wall plate and secure it with two screws on the top and on the bottom (for models with Motion Sensor or Photocell before attach the cover to the LED panel, please put the wire into the hole).
3. For outdoor locations please use silicone (not included) as shown on a picture.



### INSTALLATION STEPS FOR 18-36" MODELS:

1. Unscrew the two fixture screws from the top and the bottom of the wall sconce. Remove the cover and bottom perforated plate, then unscrew two screws from LED panel, and detach it from the wall plate. Attach wall plate to the outlet box using two mounting screws and fit it on a wall with two or four additional screws (depending on model). For models with Photocell remove the photocell cap to make the dusk-to-dawn sensor operate. Choose preferred color temperature by adjusting the switch position inside the fixture (for RGBW smart models color temperature control is made by app).
2. Connect the wires: Black to Black, White to White, Ground to Ground. Secure the connection with wire nuts. Attach the LED panel to the wall plate and secure it with two screws on the top and on the bottom (for models with Motion Sensor or Photocell before attach the cover to the LED panel, please put the wire into the hole).
3. For outdoor locations, please use silicone (not included) as shown on a picture.



\* This fixture is not rated for heavy salt water exposure or high salt content in the air. It may cause parts of the fixture to Rust. Will void the warranty of the fixture if installed in a coastal area.

For most up-to-date spec sheets please refer to [asd-lighting.com](http://asd-lighting.com)

ASD LIGHTING CORP

E-mail: [orders@asd-lighting.com](mailto:orders@asd-lighting.com) | Web site: [www.asd-lighting.com](http://www.asd-lighting.com)







# LED OUTDOOR WALL SCONCE

## OLWS-21 series

### ORDERING INFORMATION

Model	UPC	Pcs. (pack) per carton	Carton size	Carton weight	GTIN 14
<b>OLWS-21</b>					
ASD-OLWS-21-D15CC-NK	810050731379	4	12.4" x 18.9" x 10"	11.9 lbs	30810050731370
ASD-OLWS-21-10D15CC-NK-2PACK	810128112383	4 (2)	18.9" x 9.7" x 12.4"	11.3 lbs	10810128112380
ASD-OLWS-21-D15CC-BZ	810050731386	4	12.4" x 18.9" x 10"	11.9 lbs	30810050731387
ASD-OLWS-21-10D15CC-BZ-2PACK	810128112390	4 (2)	18.9" x 9.7" x 12.4"	11.3 lbs	10810128112397
ASD-OLWS-21-MV-10D15CC-NK	810128117333	2	10.2" x 9.7" x 12.4"	6 lbs	10810128117330
ASD-OLWS-21-MV-10D15CC-BZ	810128117326	2	10.2" x 9.7" x 12.4"	6 lbs	10810128117323
ASD-OLWS-21-MV-10D15CC-BK	810128116992	2	10.2" x 9.7" x 12.4"	6 lbs	10810128116999
ASD-OLWS-21-MV-18D20CC-NK	810128112789	2	20.3" x 9.7" x 10.4"	10.4 lbs	10810128112786
ASD-OLWS-21-MV-18D20CC-BZ	810128112772	2	20.3" x 9.7" x 10.4"	10.4 lbs	10810128112779
ASD-OLWS-21-MV-18D20CC-BK	810128117340	2	20.3" x 9.7" x 10.4"	10.4 lbs	10810128117347
ASD-OLWS-21-MV-24D25CC-NK	810128112802	2	26.2" x 9.7" x 10.4"	12.4 lbs	10810128112809
ASD-OLWS-21-MV-24D25CC-BZ	810128112796	2	26.2" x 9.7" x 10.4"	12.4 lbs	10810128112793
ASD-OLWS-21-MV-24D25CC-BK	810128117357	2	26.2" x 9.7" x 10.4"	12.4 lbs	10810128117354
ASD-OLWS-21-MV-36D30CC-NK	810128115711	2	38.2" x 9.7" x 10.4"	18.6 lbs	10810128115718
ASD-OLWS-21-MV-36D30CC-BK	810128115728	2	38.2" x 9.7" x 10.4"	18.6 lbs	10810128115725
<b>OLWS-21GR WITH GRID</b>					
ASD-OLWS-21GR-MV-24D25NK	810128117746	2	26.8" x 8.7" x 11.8"	12.8 lbs	10810128117743
ASD-OLWS-21GR-MV-24D25BK	810128117739	2	26.8" x 8.7" x 11.8"	12.8 lbs	10810128117736
ASD-OLWS-21GR-MV-36D30NK	810128117760	2	39" x 8.7" x 11.8"	17.4 lbs	10810128117767
ASD-OLWS-21GR-MV-36D30BK	810128117753	2	39" x 8.7" x 11.8"	17.4 lbs	10810128117750
<b>OLWS-21-RGBW</b>					
ASD-OLWS-21-MV-10D15SM-RGBW-NK	810128115742	2	10.2" x 9.7" x 12.4"	6 lbs	10810128115749
ASD-OLWS-21-MV-10D15SM-RGBW-BK	810128115735	2	10.2" x 9.7" x 12.4"	6 lbs	10810128115732
ASD-OLWS-21-MV-24D23SM-RGBW-NK	810128115766	2	26.2" x 9.7" x 10.4"	12.5 lbs	10810128115763
ASD-OLWS-21-MV-24D23SM-RGBW-BK	810128115759	2	26.2" x 9.7" x 10.4"	12.5 lbs	10810128115756
<b>OLWS-21-MS WITH MOTION SENSOR</b>					
ASD-OLWS-21-10N15NK-MS	810128118231	4	18.9" x 12.4" x 12"	14.6 lbs	10810128118238
ASD-OLWS-21-10N15BK-MS	810128118224	4	18.9" x 12.4" x 12"	14.6 lbs	10810128118221
ASD-OLWS-21-18N20NK-MS	810128118255	2	20.3" x 9.7" x 12"	11.4 lbs	10810128118252
ASD-OLWS-21-18N20BK-MS	810128118248	2	20.3" x 9.7" x 12"	11.4 lbs	10810128118245
<b>OLWS-21-PC WITH PHOTOCELL</b>					
ASD-OLWS-21-N15CC-PC-NK	810050737760	4	12.4" x 18.9" x 10"	11.9 lbs	10810050737767
ASD-OLWS-21-10N15CC-PC-NK-2PACK	810128113502	4 (2)	12.4" x 18.9" x 9.7"	11.3 lbs	10810128113509
ASD-OLWS-21-N15CC-PC-BZ	810050737753	4	12.4" x 18.9" x 10"	11.9 lbs	10810050737750
ASD-OLWS-21-10N15CC-PC-BZ-2PACK	810128111195	4 (2)	12.4" x 18.9" x 9.7"	11.3 lbs	10810128111192
ASD-OLWS-21-MV-10N15NK-PC	810128117319	2	10.2" x 9.7" x 12.4"	6 lbs	10810128117316
ASD-OLWS-21-MV-10N15BK-PC	810128117302	2	10.2" x 9.7" x 12.4"	6 lbs	10810128117309

For most up-to-date spec sheets please refer to [asd-lighting.com](http://asd-lighting.com)

ASD LIGHTING CORP

E-mail: [orders@asd-lighting.com](mailto:orders@asd-lighting.com) | Web site: [www.asd-lighting.com](http://www.asd-lighting.com)





# LED OUTDOOR WALL SCONCE

## OLWS-21 series

### ANNEX 1

Model	Watts	2,700 K	3,000 K	4,000 K	5,000 K	6,500 K
ASD-OLWS-21-D15CC-NK ASD-OLWS-21-10D15CC-NK-2PACK ASD-OLWS-21-D15CC-BZ ASD-OLWS-21-10D15CC-BZ-2PACK ASD-OLWS-21-N15CC-PC-NK ASD-OLWS-21-10N15CC-PC-NK-2PACK ASD-OLWS-21-N15CC-PC-BZ ASD-OLWS-21-10N15CC-PC-BZ-2PACK	15W	-	1,296 lm	1,573 lm	1,507 lm	-
ASD-OLWS-21-MV-10D15CC-NK ASD-OLWS-21-MV-10D15CC-BZ ASD-OLWS-21-MV-10D15CC-BK	15W	-	1,230 lm	1,361 lm	1,289 lm	-
ASD-OLWS-21-MV-18D20CC-NK ASD-OLWS-21-MV-18D20CC-BZ ASD-OLWS-21-MV-18D20CC-BK	20W	-	2,215 lm	2,457 lm	2,359 lm	-
ASD-OLWS-21-MV-24D25CC-NK ASD-OLWS-21-MV-24D25CC-BZ ASD-OLWS-21-MV-24D25CC-BK	25W	-	2,692 lm	3,017 lm	2,905 lm	-
ASD-OLWS-21-MV-36D30CC-NK ASD-OLWS-21-MV-36D30CC-BK	30W	-	2,972 lm	3,268 lm	3,159 lm	-
ASD-OLWS-21GR-MV-24D25NK ASD-OLWS-21GR-MV-24D25BK	25W	-	2,019 lm	2,183 lm	2,066 lm	-
ASD-OLWS-21GR-MV-36D30NK ASD-OLWS-21GR-MV-36D30BK	30W	-	2,379 lm	2,465 lm	2,379 lm	-
ASD-OLWS-21-MV-10D15SM-RGBW-NK ASD-OLWS-21-MV-10D15SM-RGBW-BK	15W	1,096 lm	1,101 lm	1,151 lm	1,174 lm	1,188 lm
ASD-OLWS-21-MV-24D23SM-RGBW-NK ASD-OLWS-21-MV-24D23SM-RGBW-BK	23W	2,098 lm	2,130 lm	2,182 lm	2,225 lm	2,274 lm
ASD-OLWS-21-10N15NK-MS ASD-OLWS-21-10N15BK-MS	15W	-	1,054 lm	1,172 lm	1,131 lm	-
ASD-OLWS-21-18N20NK-MS ASD-OLWS-21-18N20BK-MS	20W	-	1,819 lm	2,002 lm	1,940 lm	-
ASD-OLWS-21-MV-10N15NK-PC ASD-OLWS-21-MV-10N15BK-PC	15W	-	1,156 lm	1,281 lm	1,210 lm	-

For most up-to-date spec sheets please refer to [asd-lighting.com](http://asd-lighting.com)

ASD LIGHTING CORP

E-mail: [orders@asd-lighting.com](mailto:orders@asd-lighting.com) | Web site: [www.asd-lighting.com](http://www.asd-lighting.com)

