



# LED VANITY LINEAR

► **DESIGN & OPTIONS** - LED VANITY LINEAR LIGHT has a sleek, modern design that allows you to have a stylish look with efficient lighting. The modern LED dimmers provide smooth dimming capabilities ranging from 10% to 100%. This fixture includes a color selectable option, letting you set it to 3,000K, 4,000K or 5,000K with a simple switch. The 120° beam angle grants you smooth and even lighting. It comes in four sizes: 18", 24", 36" and 48" with two finish options: BRUSHED NICKEL and BRONZE.

► **INSTALLATION** - Installation is quick and easy: just attach the back plate to the outlet box with screws, connect the wires, and secure the fixture to the back plate. Screws, wire nuts, decorative caps and all necessary installation accessories are provided. Can be installed both vertically and horizontally. Refer to install instructions for detailed steps.

► **APPLICATION** - This LED VANITY LINEAR LIGHT creates a bright light that is perfect for bathroom spaces. This fixture is Damp Locations rated. It can also be used as an additional light to an existing ceiling light.

► **ENERGY SAVINGS & EFFICIENCY** - With a lifespan of 50,000 hours, these fixtures are made to last decades under normal operation! This fixture can cut your electric bill by up to 80% instantly and will save you a significant amount of money in its lifetime.

► **CERTIFICATION & WARRANTY** - Buy with confidence: ASD provides a 5-year limited warranty along with ETL certification to guarantee top quality products and safety!

Energy Star classification allow participation in rebates; please check the rebate programs available in your state.

Catalog number	
Notes	
Type	



Finish:  Nickel  Bronze

Model	Size	Watts	Voltage	Dimmable	Lumens	CCT	Finish	Dimensions (LxWxH)
ASD-LVF21-18D20CC-NK	18 inch	20W	120 V	TRIAC	1,400/1,620/1,570 lm	3CCT (3,000/4,000/5,000 K)	Brushed nickel	19-1/8" x 5-7/8" x 4"
ASD-LVF21-18D20CC-BZ	18 inch	20W	120 V	TRIAC	1,400/1,620/1,570 lm	3CCT (3,000/4,000/5,000 K)	Oil rubbed bronze	19-1/8" x 5-7/8" x 4"
ASD-LVF21-24D25CC-NK	24 inch	25W	120 V	TRIAC	1,750/1,950/1,900 lm	3CCT (3,000/4,000/5,000 K)	Brushed nickel	25-9/16" x 5-7/8" x 4"
ASD-LVF21-24D25CC-NK-2PACK	24 inch	25W	120 V	TRIAC	1,750/1,950/1,900 lm	3CCT (3,000/4,000/5,000 K)	Brushed nickel	25-9/16" x 5-7/8" x 4"
ASD-LVF21-24D25CC-BZ	24 inch	25W	120 V	TRIAC	1,750/1,950/1,900 lm	3CCT (3,000/4,000/5,000 K)	Oil rubbed bronze	25-9/16" x 5-7/8" x 4"
ASD-LVF21-36D30CC-NK	36 inch	30W	120 V	TRIAC	2,400/2,640/2,535 lm	3CCT (3,000/4,000/5,000 K)	Brushed nickel	37-3/16" x 5-7/8" x 4"
ASD-LVF21-48D35CC-NK	48 inch	35W	120 V	TRIAC	2,975/3,205/3,125 lm	3CCT (3,000/4,000/5,000 K)	Brushed nickel	49" x 5-7/8" x 4"

## ORDERING INFORMATION

Model	UPC	Pcs. per carton	Carton size	Carton weight	GTIN 14
ASD-LVF21-18D20CC-NK	819201028214	4	20.5" x 16.3" x 12.6"	23 lb	30819201028215
ASD-LVF21-18D20CC-BZ	819201028221	4	20.5" x 16.3" x 12.6"	23 lb	30819201028222
ASD-LVF21-24D25CC-NK	819201028238	4	27.2" x 16.3" x 12.6"	24.2 lb	30819201028239
ASD-LVF21-24D25CC-NK-2PACK	810050733663	1	27.2" x 8.5" x 12.6"	12.3 lb	-
ASD-LVF21-24D25CC-BZ	819201028252	4	27.2" x 16.3" x 12.6"	24.2 lb	30819201028253
ASD-LVF21-36D30CC-NK	810050731898	4	38.8" x 16.3" x 12.6"	32.2 lb	50810050731893
ASD-LVF21-48D35CC-NK	810050732833	4	50.6" x 16.3" x 12.6"	40.5 lb	30810050732834

For most up-to-date spec sheets please refer to [asd-lighting.com](http://asd-lighting.com)

ASD LIGHTING CORP

E-mail: [orders@asd-lighting.com](mailto:orders@asd-lighting.com) | Web site: [www.asd-lighting.com](http://www.asd-lighting.com)





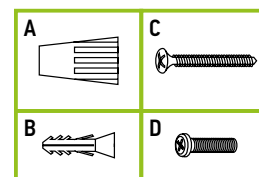
# LED VANITY LINEAR

## PRODUCT SPECIFICATIONS:

Construction & Materials			
Housing	Steel		
Lens	Acrylic		
Finish	Brushed nickel, Oil rubbed bronze		
Weight	ASD-LVF21-18D20CC-NK	4 lb (1.8 kg)	
	ASD-LVF21-18D20CC-BZ	4 lb (1.8 kg)	
	ASD-LVF21-24D25CC-NK	4.6 lb (2.1 kg)	
	ASD-LVF21-24D25CC-NK-2PACK	9.3 lb (4.2 kg)	
	ASD-LVF21-24D25CC-BZ	4.6 lb (2.1 kg)	
	ASD-LVF21-36D30CC-NK	6.3 lb (2.9 kg)	
ASD-LVF21-48D35CC-NK	8 lb (3.6 kg)		
Environmental system			
Work environment	Suitable for Damp Locations		
Operating temperature	-4°F to 122°F (-20°C to 50°C)		
L-70 life	> 50,000 hrs		
Optical system			
Luminous flux	ASD-LVF21-18D20CC-NK	1,400/1,620/1,570 lm	
	ASD-LVF21-18D20CC-BZ	1,400/1,620/1,570 lm	
	ASD-LVF21-24D25CC-NK	1,750/1,950/1,900 lm	
	ASD-LVF21-24D25CC-NK-2PACK	1,750/1,950/1,900 lm	
	ASD-LVF21-24D25CC-BZ	1,750/1,950/1,900 lm	
	ASD-LVF21-36D30CC-NK	2,400/2,640/2,535 lm	
ASD-LVF21-48D35CC-NK	2,975/3,205/3,125 lm		
Color temperature	3CCT (3,000/4,000/5,000 K)		
CRI	> 80		
Electrical system			
Input voltage	120 V		
Max input current	ASD-LVF21-18D20CC-NK	0.19 A	
	ASD-LVF21-18D20CC-BZ	0.19 A	
	ASD-LVF21-24D25CC-NK	0.28 A	
	ASD-LVF21-24D25CC-NK-2PACK	0.28 A	
	ASD-LVF21-24D25CC-BZ	0.27 A	
	ASD-LVF21-36D30CC-NK	0.27 A	
Inrush current (Action time)	ASD-LVF21-18D20CC-NK	0.16 A (0.1 S)	
	ASD-LVF21-18D20CC-BZ	0.16 A (0.1 S)	
	ASD-LVF21-24D25CC-NK	0.2 A (0.1 S)	
	ASD-LVF21-24D25CC-NK-2PACK	0.2 A (0.1 S)	
	ASD-LVF21-24D25CC-BZ	0.25 A (0.1 S)	
	ASD-LVF21-36D30CC-NK	0.25 A (0.1 S)	
Off state power	ASD-LVF21-18D20CC-NK	0W	
	ASD-LVF21-18D20CC-BZ	0W	
	ASD-LVF21-24D25CC-NK	20W	
	ASD-LVF21-24D25CC-NK-2PACK	25W	
	ASD-LVF21-24D25CC-BZ	30W	
	ASD-LVF21-36D30CC-NK	35W	
Power factor	> 0.9		
Surge protection DM/CM	1.25 kV / 1.25 kV		
Dimming range			
10-100%			
Dimming compatible controls			
Brand	Lutron		Leviton
Models	TGCL-153P	MACL-153MLH	DSL06
	CTCL-153P	DVCL-153PR	RNL06
	P-PKG1W	STCL-153PH	
	PD-6WCL		
Regular and voluntary certifications			
5-year limited warranty			
Energy Star listed			
cETLus certified 4001256			

## PACKAGE CONTENTS:

Description	Q-ty
LED Vanity Linear	1 (2 for 2 pack)
Wire nut (A)	3
Anchor (B)	2
13/18" Screw (C)	2
13/16" Screw (D)	2
Box	1



## INSTALLATION GUIDE

### IMPORTANT SAFETY INFORMATION:

Please read all the instructions below before installation.

- ▶ Make sure that the supply voltage corresponds to the rated product voltage.
- ▶ The product must be installed by a qualified electrician in accordance with the National Electrical Code and corresponding local codes.
- ▶ If the product is damaged, do not use it.

### ⚠ WARNING

**RISK OF PERSONAL INJURY – READ and follow all WARNINGS and installation instructions.** Keep or give to the owner for future reference.

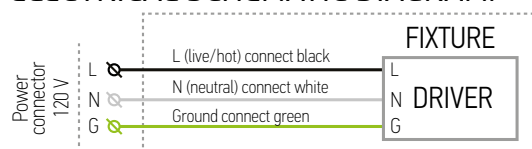
**Risk of cuts:** Wear gloves to prevent cuts or abrasions when removing from carton, handling, installing, and maintaining this product.

**Risk of electric shock:** This product must be installed in accordance with the applicable installation code by a person familiar with the construction and operation of the product and the hazards involved.

**Risk of Fire:** Minimum 194°F supply conductors. Consult a qualified electrician to ensure correct branch circuit conductor.

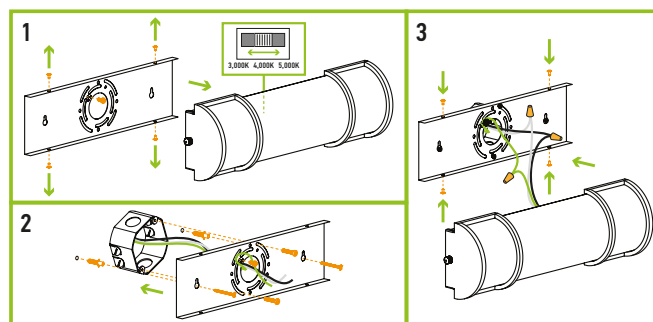
ASD® assumes no responsibility for claims arising out of improper or careless Installation or handling of this product.

### ELECTRICAL SCHEMATIC DIAGRAM:



### INSTALLATION STEPS:

1. Detach the fixture body from the back plate. Choose needed color temperature by adjusting the switch position on the back of the fixture.
2. Place the back plate against the wall covering the outlet box, mark placement of the mounting keyhole slots and drill appropriate sized holes for wall anchors. Attach the back plate to the wall with two outlet box screws and two anchor screws.
3. Connect the wires: Black to Black, White to White, Green to Green. Secure the connection with wire nuts. Attach the fixture body to the back plate using four small screws.



For most up-to-date spec sheets please refer to [asd-lighting.com](http://asd-lighting.com)