



LED OUTDOOR WALL SCONCE

► **DESIGN** - LED OUTDOOR WALL SCONCE WITH PHOTOCELL AND RGBW (for indicated models) has a modern, multipurpose design and a stylish look with efficient lighting. The clear seeded glass shade with a 180° beam angle filled with air bubbles emits a luxurious glow. It is designed to operate on 120V or 120-277V (for indicated models) circuits and provides smooth triac dimming capabilities ranging from 10% to 100%.

► **COLOR SELECTABLE** - You can choose either a 3,000K warm white, 4,000K cool white or 5,000K daylight color temperature.

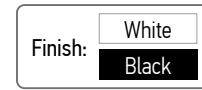
► **RGBW** - Indicated fixtures has RGBW design with manual selection switch on the bottom of the fixture. You can easily select Red, Green, Blue, Warm White and Daylight White.

► **PHOTOCELL** - The built-in Dusk to Dawn Photocell for indicated models will automatically turn the fixture on/off depending on the time of day.

► **APPLICATION** - The fixture is rated for Wet Locations, making it perfect for indoor and outdoor projects such as decks, front doors, porches, corridors, walkways, or any other common areas.

► **ADVANTAGES** - With a lifespan of 50,000 hours, these fixtures are made to last decades under normal operation! ASD provides a 5-year limited warranty along with ETL certification to guarantee top quality products and safety!

Catalog number	
Notes	
Type	



Model	Size	Watts	Voltage	Dimmable	Lumens	CCT	Finish	Dimensions (LxWxH)
LWS26S								
ASD-LWS26S-13D12BK	13 inch	11.5W	120 V	TRIAC	up to 566 lm	3CCT (3,000/4,000/5,000 K)	Black	4-3/4" x 2-1/2" x 13-3/4"
ASD-LWS26S-13D12CC-BK	13 inch	11.5W	120 V	TRIAC	up to 566 lm	3CCT (3,000/4,000/5,000 K)	Black	4-3/4" x 2-1/2" x 13-3/4"
ASD-LWS26S-13D12CC-BK-2PACK	13 inch	11.5W	120 V	TRIAC	up to 566 lm	3CCT (3,000/4,000/5,000 K)	Black	4-3/4" x 2-1/2" x 13-3/4"
ASD-LWS26S-18D12WH	18 inch	11.5W	120 V	TRIAC	up to 495 lm	3CCT (3,000/4,000/5,000 K)	White	4-3/4" x 2-1/2" x 17-15/16"
ASD-LWS26S-18D12CC-WH-2PACK	18 inch	11.5W	120 V	TRIAC	up to 495 lm	3CCT (3,000/4,000/5,000 K)	White	4-3/4" x 2-1/2" x 17-15/16"
ASD-LWS26S-18D12BK	18 inch	11.5W	120 V	TRIAC	up to 495 lm	3CCT (3,000/4,000/5,000 K)	Black	4-3/4" x 2-1/2" x 17-15/16"
ASD-LWS26S-18D12CC-BK	18 inch	11.5W	120 V	TRIAC	up to 495 lm	3CCT (3,000/4,000/5,000 K)	Black	4-3/4" x 2-1/2" x 17-15/16"
ASD-LWS26S-18D12CC-BK-2PACK	18 inch	11.5W	120 V	TRIAC	up to 495 lm	3CCT (3,000/4,000/5,000 K)	Black	4-3/4" x 2-1/2" x 17-15/16"
ASD-LWS26S-MV-24D20CC-BK	24 inch	20W	120-277 V	TRIAC	up to 581 lm	3CCT (3,000/4,000/5,000 K)	Black	4-3/4" x 2-15/16" x 24"
LWS26-RGBW								
ASD-LWS26-13N9AC-RGBW-BK	13 inch	8.5W	120-277 V	-	up to 243 lm	Red-Green-Blue-3,000K-5,000 K	Black	4-3/4" x 2-7/8" x 13-3/4"
ASD-LWS26-18N9AC-RGBW-BK	18 inch	8.5W	120-277 V	-	up to 190 lm	Red-Green-Blue-3,000K-5,000 K	Black	4-3/4" x 2-7/8" x 17-15/16"
LWS26-PC WITH PHOTOCELL								
ASD-LWS26S-13N12BK-PC	13 inch	11.5W	120 V	-	up to 566 lm	3CCT (3,000/4,000/5,000 K)	Black	4-3/4" x 2-1/2" x 13-3/4"
ASD-LWS26S-13N12CC-PC-BK	13 inch	11.5W	120 V	-	up to 566 lm	3CCT (3,000/4,000/5,000 K)	Black	4-3/4" x 2-1/2" x 13-3/4"
ASD-LWS26S-13N12CC-PC-BK-2PACK	13 inch	11.5W	120 V	-	up to 566 lm	3CCT (3,000/4,000/5,000 K)	Black	4-3/4" x 2-1/2" x 13-3/4"
ASD-LWS26S-18N12BK-PC	18 inch	11.5W	120 V	-	up to 495 lm	3CCT (3,000/4,000/5,000 K)	Black	4-3/4" x 2-1/2" x 17-15/16"
ASD-LWS26S-18N12CC-PC-BK-2PACK	18 inch	11.5W	120 V	-	up to 495 lm	3CCT (3,000/4,000/5,000 K)	Black	4-3/4" x 2-1/2" x 17-15/16"

For detailed luminous flux information please refer to Annex 1, page 2.

For most up-to-date spec sheets please refer to asd-lighting.com



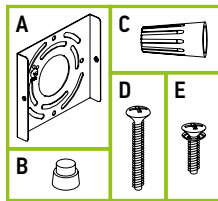
LED OUTDOOR WALL SCONCE

PRODUCT SPECIFICATIONS:

Construction & Materials					
Housing	Aluminum				
Lens	Clear seeded glass				
Finish	White, Black				
Weight	ASD-LWS26S-13D12BK	4.6 lbs (2.1 kg)	ASD-LWS26S-MV-24D20CC-BK	6.7 lbs (3 kg)	
	ASD-LWS26S-13D12CC-BK	3.8 lbs (1.7 kg)	ASD-LWS26-13N9AC-RGBW-BK	4.9 lbs (2.2 kg)	
	ASD-LWS26S-13D12CC-BK-2PACK	7.6 lbs (3.4 kg)	ASD-LWS26-18N9AC-RGBW-BK	6.2 lbs (2.8 kg)	
	ASD-LWS26S-18D12WH	6 lbs (2.7 kg)	ASD-LWS26S-13N12BK-PC	4.6 lbs (2.1 kg)	
	ASD-LWS26S-18D12CC-WH-2PACK	9.5 lbs (4.3 kg)	ASD-LWS26S-13N12CC-PC-BK		
	ASD-LWS26S-18D12BK	6 lbs (2.7 kg)	ASD-LWS26S-13N12CC-PC-BK-2PACK	9.3 lbs (4.2 kg)	
	ASD-LWS26S-18D12CC-BK	4.7 lbs (2.1 kg)	ASD-LWS26S-18N12BK-PC	2.2 lbs (1 kg)	
	ASD-LWS26S-18D12CC-BK-2PACK	9.5 lbs (4.3 kg)	ASD-LWS26S-18N12CC-PC-BK-2PACK	9.7 lbs (4.4 kg)	
Environmental system					
Work environment	Suitable for Wet Locations				
Operating temperature	-40°F to 113°F (-40°C to 45°C)		for PC models: -4°F to 113°F (-20°C to 45°C)		
L-70 Life	> 50,000 hrs				
Optical system					
Color temperature	3CCT switch (3,000/4,000/5,000 K), 3,000 K by default RGBW manual CCT switch (Red-Green-Blue-3,000K-5,000 K)				
CRI	> 80				
Electrical system					
Input voltage	120 V for MV, RGBW models: 120-277 V				
Max input current	0.16 A	for MV model: 0.18 A	for RGBW models: 0.6 A		
Inrush current (Action time)	0.1 A (0.1 S)	for MV model: 0.17 A (0.1 S)	for RGBW models: 0.25 A (0.1 S)		
Off state power	0W				
Power consumption	11.5W	for MV model: 20W	for RGBW models: 8.5W		
Power factor	> 0.9				
Output voltage	36 V	for MV model: 18-40 V	for RGBW models: 24 V		
Max output current	0.3 A	for MV model: 0.52 A	for RGBW models: 0.6 A		
Surge protection DM/CM	1.25 kV / 1.25 kV	for PC models: 2.5 kV / 2.5 kV	for RGBW models: 2.5 kV / 1.25 kV		
Dimming compatible controls					
Brand	Lutron		Leviton	10-100%	
Models	MACL-153MLH-WH	DVCL-153PR	R02-DW6HD-2RW	R68-06674-POT	Regular and voluntary certifications 5-year limited warranty cETLus certified 4001256
	STCL-153PH-WH	P-PKG1W	R00-RNL06-0TW	DSL06	
	PD-6WCL-WH-R				

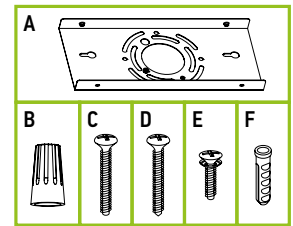
PACKAGE CONTENTS:

Description	Q-ty
LED Outdoor Wall Sconce	1 (2 for 2pack)
Mounting plate (A)	1
Photozell cap (B) only for PC models	1
Wire nut (C)	3
Mounting screw (D)	2
Black screw (E)	2
Box	1



PACKAGE CONTENTS RGBW MODELS:

Description	Q-ty
LED Outdoor Wall Sconce	1
Mounting plate (A)	1
Wire nut (B)	3
Mounting screw (C)	2
Self-tapping screw (D)	2
Black screw (E)	4
Anchor (F)	2
Box	1



BUILT-IN PHOTOCELL INFORMATION

Input power	Light level to turn ON	Light level to turn OFF	Operating temperature
120 Vac, 60 Hz	30 - 150 lux (2.8 - 14 fc)	200 - 800 lux (18.6-74.4 fc)	-4°F to 113°F (-20°C to 45°C)

The dusk-to-dawn sensor automatically turns the fixture off during daylight hours.

For most up-to-date spec sheets please refer to asd-lighting.com

ASD LIGHTING CORP

E-mail: orders@asd-lighting.com | Web site: www.asd-lighting.com





LED OUTDOOR WALL SCONCE

INSTALLATION GUIDE

IMPORTANT SAFETY INFORMATION:

Please read all the instructions below before installation.

- ▶ Make sure that the supply voltage corresponds to the rated product voltage.
- ▶ The product must be installed by a qualified electrician in accordance with the National Electrical Code and corresponding local codes.
- ▶ If the product is damaged, do not use it.

⚠ WARNING

RISK OF PERSONAL INJURY – READ and follow all WARNINGS and installation instructions. Keep or give to the owner for future reference.

Risk of cuts: Wear gloves to prevent cuts or abrasions when removing from carton, handling, installing, and maintaining this product.

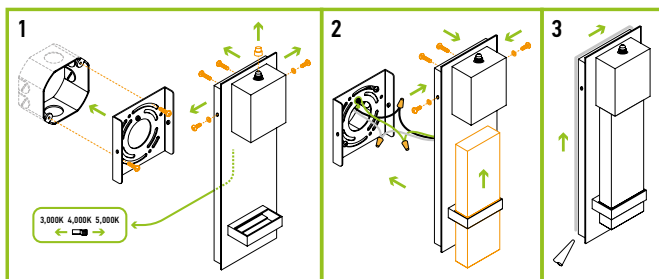
Risk of electric shock: This product must be installed in accordance with the applicable installation code by a person familiar with the construction and operation of the product and the hazards involved.

Risk of Fire: Minimum 194°F supply conductors. Consult a qualified electrician to ensure correct branch circuit conductor.

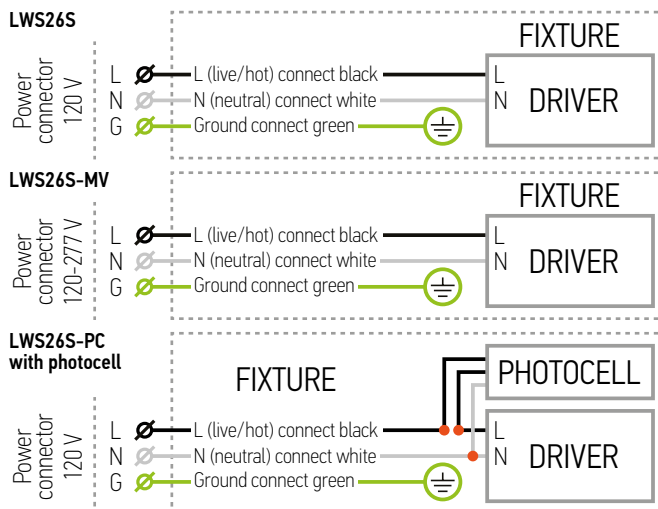
ASD® assumes no responsibility for claims arising out of improper or careless installation or handling of this product.

INSTALLATION STEPS:

1. Remove the mounting plate by unscrewing the black screws from both sides of the fixture. Unscrew the two screws from the back plate of the fixture. Attach the mounting plate to the outlet box using two mounting screws. In models with photocell option remove the photocell cap to make the dusk-to-dawn sensor operate. Choose needed color temperature by adjusting switch position.
2. Slide the glass through the bracket at the base of the fixture until fully inserted. Attach the glass by using two screws on the back plate of the fixture. Connect the wires: Black to Black, White to White, Ground to Ground. Secure the connection with wire nuts. Attach the fixture to the mounting plate using two black screws on both sides. Before tightening the screws, align the holes of both the fixture and the mounting plate to ensure a solid fit.
3. For outdoor locations please use silicone (not included) shown in the picture below.

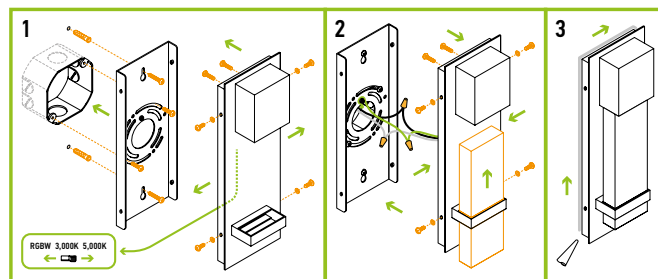


ELECTRICAL SCHEMATIC DIAGRAM:



INSTALLATION STEPS RGBW MODELS:

1. Remove the mounting plate by unscrewing the black screws from both sides of the fixture. Unscrew the two screws from the back plate of the fixture. Attach the mounting plate to the outlet box using two mounting screws. Choose needed color temperature by adjusting switch position.
2. Slide the glass through the bracket at the base of the fixture until fully inserted. Attach the glass by using two screws on the back plate of the fixture. Connect the wires: Black to Black, White to White, Ground to Ground. Secure the connection with wire nuts. Attach the fixture to the mounting plate using four black screws on both sides. Before tightening the screws, align the holes of both the fixture and the mounting plate to ensure a solid fit.
3. For outdoor locations please use silicone (not included) shown in the picture below.



For most up-to-date spec sheets please refer to asd-lighting.com



LED OUTDOOR WALL SCNCE

ORDERING INFORMATION

Model	UPC	Pcs. (pack) per carton	Carton size	Carton weight	GTIN 14
LWS26S					
ASD-LWS26S-13D12BK	810128115124	2	15.9" x 6.7" x 12"	12.1 lbs	10810128115121
ASD-LWS26S-13D12CC-BK	810050734868	4	15.4" x 12.4" x 8.1"	18.5 lbs	30810050734869
ASD-LWS26S-13D12CC-BK-2PACK	810050737807	4 (2)	15.4" x 12.4" x 8.5"	17.5 lbs	10810050737804
ASD-LWS26S-18D12WH	810128117180	2	20.1" x 6.7" x 12"	15.7 lbs	10810128117187
ASD-LWS26S-18D12CC-WH-2PACK	810128112529	4 (2)	19.5" x 12.4" x 8.1"	22.5 lbs	10810128112526
ASD-LWS26S-18D12BK	810128115131	2	20.1" x 6.7" x 12"	15.7 lbs	10810128115138
ASD-LWS26S-18D12CC-BK	810050734875	4	19.5" x 12.4" x 8.1"	23.5 lbs	30810050734876
ASD-LWS26S-18D12CC-BK-2PACK	810050737814	4 (2)	19.5" x 12.4" x 8.1"	22.5 lbs	10810050737811
ASD-LWS26S-MV-24D20CC-BK	810128112598	2	25.6" x 6.5" x 8.1"	15.2 lbs	10810128112595
LWS26-RGBW					
ASD-LWS26-13N9AC-RGBW-BK	810128114745	2	15.9" x 6.7" x 13"	12.6 lbs	20810128114749
ASD-LWS26-18N9AC-RGBW-BK	810128114790	2	20.1" x 6.7" x 13"	17.2 lbs	20810128114794
LWS26S-PC WITH PHOTOCELL					
ASD-LWS26S-13N12BK-PC	810128117197	2	15.9" x 6.7" x 12"	12.1 lbs	10810128117194
ASD-LWS26S-13N12CC-PC-BK	810050736763	4	15.4" x 12.4" x 8.1"	18.3 lbs	30810050736764
ASD-LWS26S-13N12CC-PC-BK-2PACK	810128114530	4 (2)	15.4" x 12.4" x 8.1"	18 lbs	10810128114537
ASD-LWS26S-18N12BK-PC	810128115704	2	20.1" x 6.7" x 12"	15.7 lbs	10810128115701
ASD-LWS26S-18N12CC-PC-BK-2PACK	810128114547	4 (2)	19.5" x 12.4" x 8.1"	23.1 lbs	10810128114544

ANNEX 1

Model	Watts	3,000 K	4,000 K	5,000 K
ASD-LWS26S-13D12BK ASD-LWS26S-13D12CC-BK ASD-LWS26S-13D12CC-BK-2PACK ASD-LWS26S-13N12BK-PC ASD-LWS26S-13N12CC-PC-BK ASD-LWS26S-13N12CC-PC-BK-2PACK	11.5W	498 lm	566 lm	520 lm
ASD-LWS26S-18D12WH ASD-LWS26S-18D12CC-WH-2PACK ASD-LWS26S-18D12BK ASD-LWS26S-18D12CC-BK ASD-LWS26S-18D12CC-BK-2PACK ASD-LWS26S-18N12BK-PC ASD-LWS26S-18N12CC-PC-BK-2PACK	11.5W	428 lm	495 lm	455 lm
ASD-LWS26S-MV-24D20CC-BK	20W	505 lm	581 lm	538 lm
ASD-LWS26-13N9AC-RGBW-BK	8.5W	212 lm	-	243 lm
ASD-LWS26-18N9AC-RGBW-BK	8.5W	179 lm	-	190 lm

For most up-to-date spec sheets please refer to asd-lighting.com