



LED SQUARE OUTDOOR WALL CYLINDER

► **DESIGN** - LED ROUND OUTDOOR WALL CYLINDER has a modern design with effective up/down illumination. This fixture has a tempered glass cover and a durable die-cast aluminum body. It is designed to operate on 120V circuits and provides smooth triac dimming capabilities ranging from 10% to 100%.

► **COLOR SELECTABLE** - You can choose either a 3,000K warm white, 4,000K cool white or 5,000K daylight color temperature.

► **PHOTOCELL** - The built-in Dusk to Dawn Photocell will automatically turn the fixture on/off depending on the time of day.

► Durable waterproof housing resistant to rust and impact can be used outdoors in all weather conditions.

► **APPLICATION** - The fixture is rated for Wet Locations, making it perfect for indoor and outdoor projects such as decks, front doors, porches, patios, corridors, walkways, or any other common areas.

► **ADVANTAGES** - With a lifespan of 50,000 hours, these fixtures are made to last decades under normal operation! ASD provides a 5-year limited warranty along with ETL certification to guarantee top quality products and safety!

Catalog number	
Notes	
Type	



Model	Light direction	Watts	Voltage	Dimmable	Lumens	CCT	Finish	Dimensions (LxWxH)	Option
ASD-OLCLS-1D9CC-BZ	1	9W	120 V	TRIAC	878/983/900 lm	3CCT (3,000/4,000/5,000 K)	Oil rubbed bronze	5-13/16" x 4-3/8" x 7-7/8"	-
ASD-OLCLS-1D9CC-BK	1	9W	120 V	TRIAC	878/983/900 lm	3CCT (3,000/4,000/5,000 K)	Black	5-13/16" x 4-3/8" x 7-7/8"	-
ASD-OLCLS-2D18CC-BZ	2	18W	120 V	TRIAC	1,737/1,974/1,807 lm	3CCT (3,000/4,000/5,000 K)	Oil rubbed bronze	5-13/16" x 4-3/8" x 10-1/4"	-
ASD-OLCLS-2D18CC-BK	2	18W	120 V	TRIAC	1,737/1,974/1,807 lm	3CCT (3,000/4,000/5,000 K)	Black	5-13/16" x 4-3/8" x 10-1/4"	-
OLCLS-PC WITH PHOTOCELL									
ASD-OLCLS-1N9CC-PC-BK	1	9W	120 V	-	878/983/900 lm	3CCT (3,000/4,000/5,000 K)	Black	5-13/16" x 4-3/8" x 7-7/8"	Photocell
ASD-OLCLS-2N18CC-PC-BK	2	18W	120 V	-	1,737/1,974/1,807 lm	3CCT (3,000/4,000/5,000 K)	Black	5-13/16" x 4-3/8" x 10-1/4"	Photocell

ORDERING INFORMATION

Model	UPC	Pcs. per carton	Carton size	Carton weight	GTIN 14
ASD-OLCLS-1D9CC-BZ	810050736503	6	16.7" x 15.4" x 9.8"	15.3 lbs	30810050736504
ASD-OLCLS-1D9CC-BK	810050736497	6	16.7" x 15.4" x 9.8"	15.3 lbs	30810050736498
ASD-OLCLS-2D18CC-BZ	810050736527	6	16.7" x 15.4" x 12.2"	19.7 lbs	30810050736528
ASD-OLCLS-2D18CC-BK	810050736510	6	16.7" x 15.4" x 12.2"	19.7 lbs	30810050736511
OLCLS-PC WITH PHOTOCELL					
ASD-OLCLS-1N9CC-PC-BK	810050736817	6	16.7" x 15.4" x 9.8"	15.3 lbs	30810050736818
ASD-OLCLS-2N18CC-PC-BK	810050736824	6	16.7" x 15.4" x 12.2"	17.4 lbs	30810050736825

For most up-to-date spec sheets please refer to asd-lighting.com



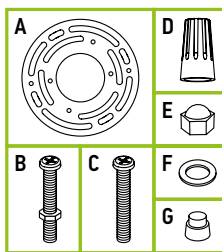
LED SQUARE OUTDOOR WALL CYLINDER

PRODUCT SPECIFICATIONS:

Construction & Materials			
Housing	Aluminum		
Lens	Glass		
Finish	Oil rubbed bronze, Black		
Weight	ASD-OLCLS-1D9CC-BZ	2 lbs (0.9 kg)	
	ASD-OLCLS-1D9CC-BK		
	ASD-OLCLS-2D18CC-BZ	2.5 lbs (1.1 kg)	
	ASD-OLCLS-2D18CC-BK		
	ASD-OLCLS-1N9CC-PC-BK	1.9 lbs (0.9 kg)	
	ASD-OLCLS-2N18CC-PC-BK	2.6 lbs (1.2 kg)	
Environmental system			
Work environment	Suitable for Wet Locations		
Operating temperature	-40°F to 113°F (-40°C to 45°C)		
	for PC models: -4°F to 113°F (-20°C to 45°C)		
L-70 Life	> 50,000 hrs		
Optical system			
Luminous flux	1 light direction	878/983/900 lm	
	2 light direction	1,737/1,974/1,807 lm	
Color temperature	3CCT switch (3,000/4,000/5,000 K), 3,000 K by default		
CRI	> 80		
Electrical system			
Input voltage	120 V		
Max input current	1 light direction	0.1 A	
	2 light direction	0.2 A	
Inrush current (Action time)	1 light direction	0.07 A (0.1 S)	
	2 light direction	0.15 A (0.1 S)	
Off state power	0W		
Power consumption	1 light direction	9W	
	2 light direction	18W	
Power factor	> 0.9		
Max output current	1 light direction	0.25 A	
	2 light direction	0.45 A	
Surge protection DM/CM	1.25 kV / 1.25 kV		
Dimming compatible controls			
Brand	Lutron	Leviton	
Models	MACL-153MLH-WH	DVCL-153PR	R02-DW6HD-2RW
	STCL-153PH-WH	P-PKG1W	R00-RNL06-0TW
	PD-6WCL-WH-R		R68-06674-POT
DSL06			
Regular and voluntary certifications			
5-year limited warranty			
cETLus certified 4001256			

PACKAGE CONTENTS:

Description	Q-ty
LED Square Outdoor Wall Cylinder	1
Mounting plate (A)	1
Mounting screw (B)	2
Outlet box screw (C)	2
Wire nut (D)	3
Decorative nut (E)	2
Waterproof gasket (F)	2
Photocell cap (G) only for PC models	1
Box	1



BUILT-IN PHOTOCELL INFORMATION

The dusk-to-dawn sensor automatically turns the fixture off during daylight hours.

Specifications	Model: MD,EP-120R
Input power	120 Vac, 60HZ
Light level to turn ON	30 ~ 150 lux (2.8 - 14 fc)
Light level to turn OFF	200 ~ 800 lux (18.6-74.4 fc)
Operating temperature	-4°F to 122°F (-20°C to 50°C)

INSTALLATION GUIDE

IMPORTANT SAFETY INFORMATION:

Please read all the instructions below before installation.

- ▶ Make sure that the supply voltage corresponds to the rated product voltage.
- ▶ The product must be installed by a qualified electrician in accordance with the National Electrical Code and corresponding local codes.
- ▶ If the product is damaged, do not use it.

⚠ WARNING

RISK OF PERSONAL INJURY – READ and follow all WARNINGS and installation instructions. Keep or give to the owner for future reference.

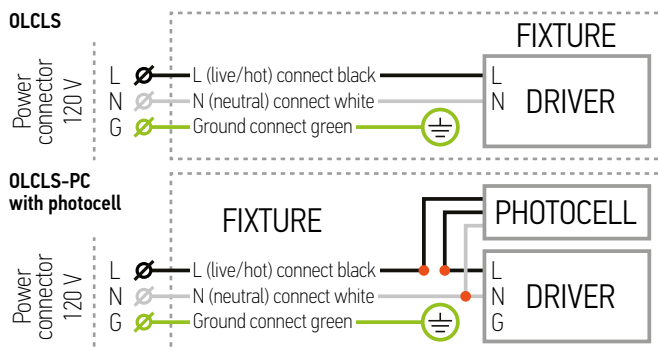
Risk of cuts: Wear gloves to prevent cuts or abrasions when removing from carton, handling, installing, and maintaining this product.

Risk of electric shock: This product must be installed in accordance with the applicable installation code by a person familiar with the construction and operation of the product and the hazards involved.

Risk of Fire: Minimum 194°F supply conductors. Consult a qualified electrician to ensure correct branch circuit conductor.

ASD® assumes no responsibility for claims arising out of improper or careless Installation or handling of this product.

ELECTRICAL SCHEMATIC DIAGRAM:



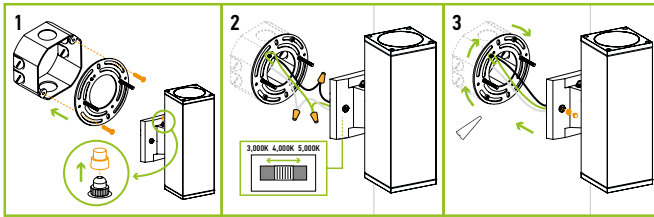
For most up-to-date spec sheets please refer to asd-lighting.com



LED SQUARE OUTDOOR WALL CYLINDER

INSTALLATION STEPS:

1. Screw the two mounting screws onto the mounting plate. Attach the mounting plate to the outlet box using screws. Make sure the threads of the mounting screws are facing outside when the mounting plate is attached to the outlet box. In models with photocell option remove the photocell cap to make the dusk-to-dawn sensor operate.
2. Choose needed color temperature by adjusting switch position. Connect the wires: Black to Black, White to White, Ground to Ground. Secure the connection with wire nuts.
3. Place the fixture base on the wall by aligning the protruding mounting screws through the holes on the wall plate. Put the waterproof gasket on each mounting screw. Tighten the fixture to the wall using two decorative nuts. For outdoor locations please use silicone (not included) shown in the picture below.



* The fixture must be mounted vertically with the photocell sensor facing up.

For most up-to-date spec sheets please refer to asd-lighting.com

ASD LIGHTING CORP

E-mail: orders@asd-lighting.com | Web site: www.asd-lighting.com

