



LED OUTDOOR WALL SCONCE

- ▶ **DESIGN** - LED OUTDOOR WALL SCONCE has a modern, multipurpose design and a stylish look with efficient lighting. Durable housing resistant to rust and impact provides many years of service. The UV resistant PMMA lens with a 120° beam angle grants you even light distribution. It is designed to operate on 120V circuits.
- ▶ **PHOTOCELL** - The built-in Dusk to Dawn Photocell will automatically turn the fixture on/off depending on the time of day.
- ▶ **COLOR SELECTABLE** - You can choose either a 3,000K warm white, 4,000K cool white or 5,000K daylight color temperature.
- ▶ **APPLICATION** - The fixture is rated for Wet Locations, making it perfect for indoor and outdoor projects such as decks, front doors, porches, patios, corridors, walkways, or any other common areas.
- ▶ **ADVANTAGES** - With a lifespan of 50,000 hours, these fixtures are made to last decades under normal operation! ASD provides a 5-year limited warranty along with ETL certification to guarantee top quality products and safety!

<i>Catalog number</i>	
<i>Notes</i>	
<i>Type</i>	



Finish: Nickel Bronze

Model	Watts	Voltage	Dimmable	Lumens	CCT	Finish	Dimensions (LxWxH)	Option
ASD-OLWS-21-D15CC-NK	15W	120 V	TRIAC	1,022/1,098/1,067 lm	3CCT (3,000/4,000/5,000 K)	Brushed nickel	7" x 3-1/4" x 9-15/16"	-
ASD-OLWS-21-D15CC-BZ	15W	120 V	TRIAC	1,022/1,098/1,067 lm	3CCT (3,000/4,000/5,000 K)	Oil rubbed bronze	7" x 3-1/4" x 9-15/16"	-
OLWS-21-PC WITH PHOTOCELL								
ASD-OLWS-21-N15CC-PC-NK	15W	120 V	-	1,022/1,098/1,067 lm	3CCT (3,000/4,000/5,000 K)	Brushed nickel	7" x 3-1/4" x 10-7/16"	Photocell
ASD-OLWS-21-N15CC-PC-BZ	15W	120 V	-	1,022/1,098/1,067 lm	3CCT (3,000/4,000/5,000 K)	Oil rubbed bronze	7" x 3-1/4" x 10-7/16"	Photocell

ORDERING INFORMATION

Model	UPC	Pcs. per carton	Carton size	Carton weight	GTIN 14
ASD-OLWS-21-D15CC-NK	810050731379	4	12.4" x 18.9" x 10"	11.1 lb	30810050731370
ASD-OLWS-21-D15CC-BZ	810050731386	4	12.4" x 18.9" x 10"	11.1 lb	30810050731387
OLWS-21-PC WITH PHOTOCELL					
ASD-OLWS-21-N15CC-PC-NK	810050737753	4	12.4" x 18.9" x 10"	11.1 lb	10810050737750
ASD-OLWS-21-N15CC-PC-BZ	810050737760	4	12.4" x 18.9" x 10"	11.1 lb	10810050737767

For most up-to-date spec sheets please refer to asd-lighting.com



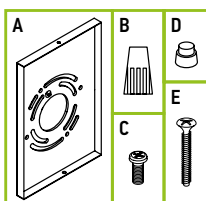
LED OUTDOOR WALL SCONCE

PRODUCT SPECIFICATIONS:

Construction & Materials	
Housing	Aluminum
Lens	PMMA
Finish	Brushed nickel, Oil rubbed bronze
Weight	2.2 lb (1 kg)
Environmental system	
Work environment	Suitable for Wet Locations
Operating temperature	-40°F to 113°F (-40°C to 45°C) for PC models: -4°F to 122°F (-20°C to 50°C)
L-70 Life	> 50,000 hrs
Optical system	
Luminous flux	1,022/1,098/1,067 lm
Color temperature	3CCT (3,000/4,000/5,000 K)
CRI	> 80
Electrical system	
Input voltage	120 V
Max input current	0.19 A
Inrush current (Action time)	0.125 A (0.1 S)
Off state power	0W
Power consumption	15W
Power factor	> 0.9
Surge protection DM/CM	1.25 kV / 1.25 kV
Dimming range	
10-100%	
Dimming compatible controls	
Brand	Lutron Leviton
Models	MACL-153MLH TGCL-153P P-PKG1W DSL06 DVCL-153PR CTCL-153P PD-6WCL RNL06 STCL-153PH
Regular and voluntary certifications	
5-year limited warranty	
Energy Star listed (except PC models)	
cETLus certified 4001256	

PACKAGE CONTENTS:

Description	Q-ty
LED Outdoor Wall Sconce	1
Mounting plate (A)	1
Wire nut (B)	3
Fixture screw (C)	2
Photocell cap (D) only for PC models	1
Mounting screw (E)	2
Box	1



BUILT-IN PHOTOCELL INFORMATION

The dusk-to-dawn sensor automatically turns the fixture off during daylight hours.

Specifications	Model: MD-EP-120R
Input power	120 VAC, 60HZ
Light level to turn ON	30 ~ 150 lux (2.8 - 14 fc)
Light level to turn OFF	200 ~ 800 lux (18.6 - 74.4 fc)
Operating temperature	-4°F to 122°F (-20°C to 50°C)

INSTALLATION GUIDE

IMPORTANT SAFETY INFORMATION:

Please read all the instructions below before installation.

- ▶ Make sure that the supply voltage corresponds to the rated product voltage.
- ▶ The product must be installed by a qualified electrician in accordance with the National Electrical Code and corresponding local codes.
- ▶ If the product is damaged, do not use it.

⚠ WARNING

RISK OF PERSONAL INJURY – READ and follow all WARNINGS and installation instructions. Keep or give to the owner for future reference.

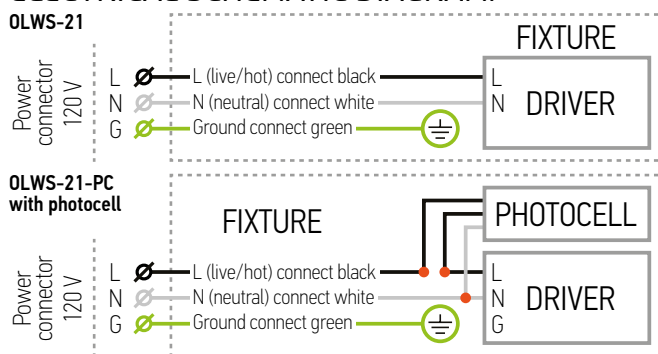
Risk of cuts: Wear gloves to prevent cuts or abrasions when removing from carton, handling, installing, and maintaining this product.

Risk of electric shock: This product must be installed in accordance with the applicable installation code by a person familiar with the construction and operation of the product and the hazards involved.

Risk of Fire: Minimum 194°F supply conductors. Consult a qualified electrician to ensure correct branch circuit conductor.

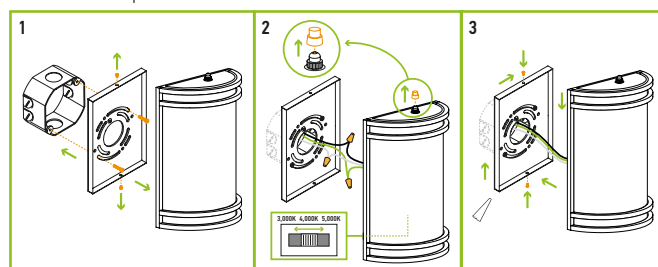
ASD® assumes no responsibility for claims arising out of improper or careless installation or handling of this product.

ELECTRICAL SCHEMATIC DIAGRAM:



INSTALLATION STEPS:

1. Unscrew the two fixture screws from the top and the bottom of the wall sconce. Remove the wall plate and attach it to the outlet box using two mounting screws.
2. Choose preferred color temperature by adjusting the switch position inside the fixture. Connect the wires: Black to Black, White to White, Ground to Ground. Secure the connection with wire nuts. Remove the photocell cap to make the dusk-to-dawn sensor operate.
3. Attach the fixture firmly to the wall plate and secure it with two fixture screws on the top and the bottom. For outdoor locations please use silicone (not included) as shown on a picture.



For most up-to-date spec sheets please refer to asd-lighting.com