



LED TRADITIONAL VAPOR PROOF FIXTURE

► **DESIGN & OPTIONS** - LED TRADITIONAL VAPOR PROOF FIXTURE has waterproof polycarbonate housing with a clear or frosted lens, along with stainless clips and mounting hardware. This makes it extremely durable, impact-resistant and able to maintain its color and luster over time. Multiple fixtures can be linked with vapor-tight strain relief connectors. It comes with a 120-277V and 4000K or 5000K color temperature.

► **INSTALLATION** - Two side entry points on the fixture make it easy to connect multiple fixtures to one switch. It can be surface or suspended mounted. Refer to install instructions for detailed steps.

► **APPLICATION** - This fixture is the perfect commercial or industrial solution for parking garages, shopping centers, car washes, and many other applications. It is Wet location rated with IP66 ingress protection rating. LED TRADITIONAL VAPOR PROOF linear fixtures can operate in temperatures between -4+104°F (-20+40°C), allowing them to be utilized in a wide variety of applications and climates.

► **ENERGY SAVING & EFFICIENCY** - This fixture provides a lumen output equal to or higher than traditional fluorescent vapor lights and can cut your electric bill by up to 80% instantly. With a lifespan of 60,000 hours, these fixtures are made to last decades under normal operation! This fixture will save you a significant amount of money in its lifetime.

► **CERTIFICATION & WARRANTY** - Buy with confidence: ASD provides a 5-year warranty along with UL and DLC Standard certifications to guarantee top quality products and safety!

Top US certifications allow participation in rebates; please check the rebate programs available in your state.

Catalog number	
Notes	
Type	



PRODUCT LEGEND:

Family	Size	Dimmable	Watts	CCT	Lens	Luminous Efficiency
ASD-LVP	4	N	31	XX	M	HE
LED Traditional Vapor Proof fixture	4 ft	Non-Dimmable	31 W	35 = 3,500 K 40 = 4,000 K 50 = 5,000 K	C = Clear lens M = Milky lens	High efficiency

LED TRADITIONAL VAPOR PROOF FIXTURE:

Model	Type of lens	Type	Watts	Voltage	Dimming	CCT	Lumens	Dimensions (LxWxH)	DLC
ASD-LVP-4N3140CHE	Clear	4 ft	31 W	120-277 V	No	3,500 K	3,569 lm	47 1/4" x 4 1/8" x 3 5/16"	Standard
ASD-LVP-4N3150CHE	Clear	4 ft	31 W	120-277 V	No	5,000 K	3,692 lm	47 1/4" x 4 1/8" x 3 5/16"	Standard
ASD-LVP-4N3135MHE	Milky	4 ft	31 W	120-277 V	No	3,500 K	3,663 lm	47 1/4" x 4 1/8" x 3 5/16"	-
ASD-LVP-4N3140MHE	Milky	4 ft	31 W	120-277 V	No	4,000 K	3,410 lm	47 1/4" x 4 1/8" x 3 5/16"	-
ASD-LVP-4N3150MHE	Milky	4 ft	31 W	120-277 V	No	5,000 K	3,410 lm	47 1/4" x 4 1/8" x 3 5/16"	-

ORDERING INFORMATION:

Model	UPC	Pcs. per Carton	Carton Size	Carton Weight	GTIN 14
ASD-LVP-4N3140CHE	819201020256	9	49.6" x 14.2" x 11.7"	49.7 lb	10819201020253
ASD-LVP-4N3150CHE	819201020263	9	49.6" x 14.2" x 11.7"	49.7 lb	10819201020260
ASD-LVP-4N3135MHE	859961005711	9	49.6" x 14.2" x 11.7"	49.7 lb	10859961005718
ASD-LVP-4N3140MHE	859961005599	9	49.6" x 14.2" x 11.7"	49.7 lb	10859961005596
ASD-LVP-4N3150MHE	859961005605	9	49.6" x 14.2" x 11.7"	49.7 lb	10859961005602

For most up-to-date spec sheets please refer to asd-lighting.com



LED TRADITIONAL VAPOR PROOF FIXTURE

PRODUCT SPECIFICATIONS:

Construction & Materials		
Lens	ASD-LVP-4N3140CHE	Clear lens
	ASD-LVP-4N3150CHE	
	ASD-LVP-4N3135MHE	
	ASD-LVP-4N3140MHE	Milky lens
	ASD-LVP-4N3150MHE	
Housing	Polycarbonate housing (PC)	
Clips	Stainless steel clips	
Finish Color	White	
Weight	4.4 lb (2 kg)	
Environmental System		
Work Environment	Suitable for Wet Locations, IP66	
Operating Temperature	-4°F to 104°F (-20°C to 40°C)	
L-70 Life	R > 60,000 hrs, C > 100,000 hrs	
Optical System		
Luminous Flux	ASD-LVP-4N3140CHE	3,569 lm
	ASD-LVP-4N3150CHE	3,692 lm
	ASD-LVP-4N3135MHE	3,663 lm
	ASD-LVP-4N3140MHE	3,410 lm
	ASD-LVP-4N3150MHE	3,410 lm
Color Temperature	3,500 K, 5,000 K	
CRI	> 80	
Electrical System		
Input Voltage	120-277 V	
Max input current	0.35 A	
Inrush current (Action time)	35 A (0.7 S)	
AC input range	min 90 V max 285 V	
Off State Power	0 W	
Power Consumption	31 W	
Power Factor	≥ 0.9	
Output voltage	38-42 V	
Max output current	700 mA	
LED driver class	B, class 2	
Regular and Voluntary Certifications		
5-year limited warranty		
DesignLights Consortium (DLC) listed (Classification: Standard) Principal: Luminarias de interior; Aplicación general: Troffer; Uso Principal: Luminarias para Iluminación Ambiental de Espacios Comerciales Interiores		
cULus certified	E473804 – luminaire E473855 – driver	

PACKAGE CONTENTS:

Description	Q-ty
LED Traditional Vapor Proof fixture	1
Box	1
Cut sheet	2

INSTALLATION GUIDE

IMPORTANT SAFETY INFORMATION:

Please read all the instructions below before installation.

- ▶ Make sure that the supply voltage corresponds to the rated product voltage.
- ▶ The product must be installed by a qualified electrician in accordance with the National Electrical Code and corresponding local codes.
- ▶ If the product is damaged, do not use it.

⚠ WARNING

RISK OF PERSONAL INJURY – READ and follow all WARNINGS and installation instructions.

Keep or give to the owner for future reference.

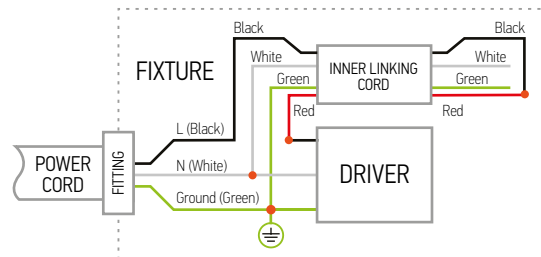
Risk of cuts: Wear gloves to prevent cuts or abrasions when removing from carton, handling, installing, and maintaining this product.

Risk of electric shock: This product must be installed in accordance with the applicable installation code by a person familiar with the construction and operation of the product and the hazards involved.

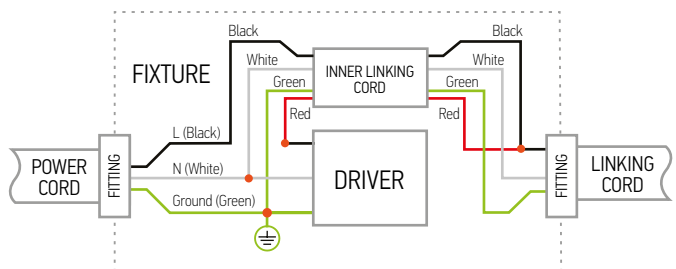
Risk of Fire: Minimum 194°F supply conductors. Consult a qualified electrician to ensure correct branch circuit conductor.

ASD® assumes no responsibility for claims arising out of improper or careless installation or handling of this product.

ELECTRICAL SCHEMATIC DIAGRAM:



ELECTRICAL SCHEMATIC DIAGRAM FOR CONNECTING MULTIPLE FIXTURES:



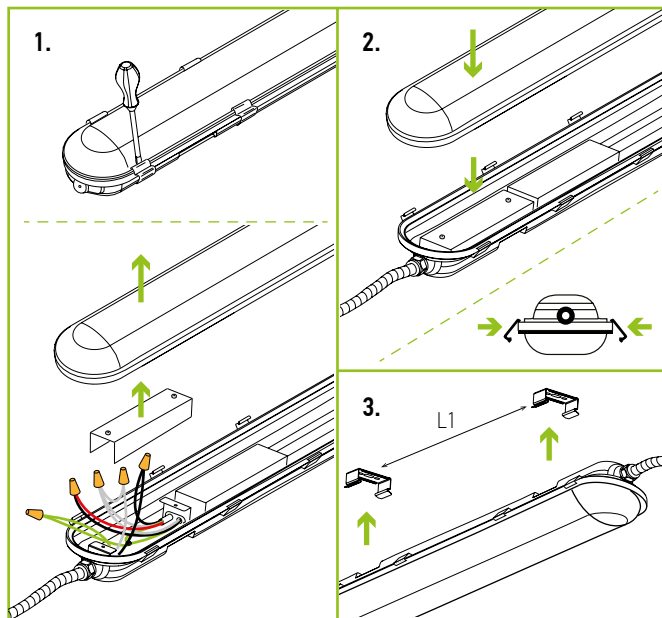
For most up-to-date spec sheets please refer to asd-lighting.com



LED TRADITIONAL VAPOR PROOF FIXTURE

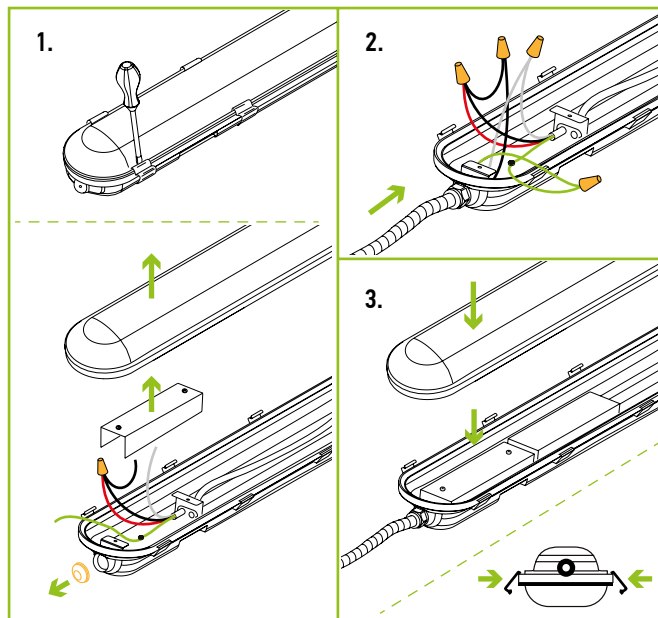
INSTALLATION STEPS:

1. Open clips and remove diffuser. Open the cover of the junction box. Connect the wires: Black to Black, White to White, Green to Green.
2. Put the junction box cover back and affix the diffuser cover by the clips.
3. Affix the mounting brackets to the ceiling/wall. Affix the fixture to the ceiling/wall by the mounting brackets.



CONNECTING MULTIPLE FIXTURES TO ONE SWITCH:

1. Open clips and remove diffuser. Open the cover of the junction box. Remove gasket at the end of the fixture and attach watertight fitting (not included).
2. Insert the power cord wires in to the junction box of the next linked luminaire. Connect the wires: Black to Black, White to White, Green to Green.
3. Put the junction box cover back and affix the diffuser cover by the clips.



LINKING LIMITS:

Linkable Quantities Depending on Voltage		
110 V	200 V	277 V
12 pcs	24 pcs	36 pcs

For most up-to-date spec sheets please refer to asd-lighting.com