



# LED CANOPY with j-box

Premium Series

ASD Garage LED Canopy light is great for parking garage lighting, gas station lighting, drive-thru lighting, shop/garage lighting, and covered walkways. Built with rugged white-painted die cast aluminum, this luminaire is available with surface or pendant mount. J-Box is designed for through wiring and wet location installations. Pendant mount luminaire is supplied with a 3/4" NPT stainless steel pendant connection. Lightweight construction and universal mounting make installations near effortless. High Voltage and Emergency models available. ASD LED Garage Canopy with emergency back-up provides 30% output for 90 minutes.

Catalog number	
Notes	
Type	

## FEATURES AND BENEFITS:

- ▶ Junction box on top for easy wiring
- ▶ Dimmable
- ▶ High Voltage and Emergency models available
- ▶ SMD chips for brighter light
- ▶ Operating temperature of -4°F to 113°F (of -20°C to 45°C)
- ▶ Wet location IP65
- ▶ L-70 Life R > 36,000 hrs, C > 141,000 hrs
- ▶ cULus certified
- ▶ DesignLights Consortium (DLC) listed (Classification: Premium)
- ▶ 5 Year warranty



## PRODUCT LEGEND:

Family	Modification	Voltage	Watts	Dimmable	CCT	Finish	Option	Series
ASD-CAN	04	XX	XX	D	XX	X	XX	PRM
LED Canopy	with j-box	Blank = 120-277V HV = 347-480V	40 = 40 W 55 = 55 W 75 = 75 W	Dimmable	40 = 4,000 K 50 = 5,000 K	W = White B = Bronze	EM = Battery back-up MS = Motion Sensor	Premium

## LED CANOPY WITH J-BOX:

Model	Watts	Voltage	Dimming	Option	CCT	Lumens	Dimensions (LxWxH)	Finish
ASD-CAN04-40D40B-PRM	40 W	120-277 V	1-10 V	-	4,000 K	5,219 lm	9" x 9" x 4 1/2"	Bronze
ASD-CAN04-40D50B-PRM	40 W	120-277 V	1-10 V	-	4,000 K	5,374 lm	9" x 9" x 4 1/2"	Bronze
ASD-CAN04-40D40W-PRM	40 W	120-277 V	1-10 V	-	5,000 K	5,219 lm	9" x 9" x 4 1/2"	White
ASD-CAN04-40D50W-PRM	40 W	120-277 V	1-10 V	-	5,000 K	5,374 lm	9" x 9" x 4 1/2"	White
ASD-CAN04-55D40B-PRM	55 W	120-277 V	1-10 V	-	4,000 K	7,305 lm	9" x 9" x 4 1/2"	Bronze
ASD-CAN04-55D50W-PRM	55 W	120-277 V	1-10 V	-	4,000 K	7,423 lm	9" x 9" x 4 1/2"	White
ASD-CAN04-55D40W-PRM	55 W	120-277 V	1-10 V	-	5,000 K	7,305 lm	9" x 9" x 4 1/2"	White
ASD-CAN04-75D50B-PRM	75 W	120-277 V	1-10 V	-	5,000 K	9,962 lm	10" x 10" x 5"	Bronze
ASD-CAN04HV-40D50B-PRM	40 W	347-480 V	1-10 V	-	5,000 K	5,374 lm	9" x 9" x 4 1/2"	Bronze
ASD-CAN04HV-40D50W-PRM	40 W	347-480 V	1-10 V	-	5,000 K	5,374 lm	9" x 9" x 4 1/2"	White
ASD-CAN04-55D40B-EM-PRM	55 W	120-277 V	1-10 V	Battery back-up	4,000 K	7,305 lm	9" x 9" x 6 1/4"	Bronze
ASD-CAN04-55D40W-EM-PRM	55 W	120-277 V	1-10 V	Battery back-up	4,000 K	7,305 lm	9" x 9" x 6 1/4"	White
ASD-CAN04-40D40W-MS-PRM	40 W	120-277 V	1-10 V	Motion Sensor	4,000 K	5,219 lm	9" x 9" x 4 1/2"	White
ASD-CAN04-40D50W-MS-PRM	40 W	120-277 V	1-10 V	Motion Sensor	5,000 K	5,374 lm	9" x 9" x 4 1/2"	White
ASD-CAN04-40D50B-MS-PRM	40 W	120-277 V	1-10 V	Motion Sensor	5,000 K	5,374 lm	9" x 9" x 4 1/2"	Bronze
ASD-CAN04-55D40B-MS-PRM	55 W	120-277 V	1-10 V	Motion Sensor	4,000 K	7,305 lm	9" x 9" x 4 1/2"	Bronze
ASD-CAN04-55D40W-MS-PRM	55 W	120-277 V	1-10 V	Motion Sensor	4,000 K	7,305 lm	9" x 9" x 4 1/2"	White
ASD-CAN04-55D50B-MS-PRM	55 W	120-277 V	1-10 V	Motion Sensor	5,000 K	7,423 lm	9" x 9" x 4 1/2"	Bronze

For most up-to-date spec sheets please refer to [asd-lighting.com](http://asd-lighting.com)

ASD LIGHTING CORP

E-mail: [orders@asd-lighting.com](mailto:orders@asd-lighting.com) | Web site: [www.asd-lighting.com](http://www.asd-lighting.com)





# LED CANOPY with j-box

Premium Series

## PRODUCT SPECIFICATIONS:

Construction & Materials						
Lens	PC					
Reflector	Aluminum					
Housing	Aluminum					
Finish	White, Bronze					
Weight	ASD-CAN04-40D40B-PRM	4.2 lb (1.9 kg)	ASD-CAN04HV-40D50B-PRM	4.4 lb (2 kg)	ASD-CAN04-40D40W-MS-PRM	4.6 lb (2.1 kg)
	ASD-CAN04-40D50B-PRM		ASD-CAN04HV-40D50W-PRM		ASD-CAN04-40D50W-MS-PRM	
	ASD-CAN04-40D40W-PRM			ASD-CAN04-40D50B-MS-PRM		
	ASD-CAN04-40D50W-PRM	4.4 lb (2 kg)	ASD-CAN04-55D40B-EM-PRM	6.2 lb (2.8 kg)	ASD-CAN04-55D40B-MS-PRM	4.9 lb (2.2 kg)
	ASD-CAN04-55D40B-PRM		ASD-CAN04-55D40W-EM-PRM		ASD-CAN04-55D40W-MS-PRM	
	ASD-CAN04-55D50W-PRM			ASD-CAN04-55D50B-MS-PRM		
	ASD-CAN04-55D40W-PRM					
ASD-CAN04-75D50B-PRM	6.6 lb (3 kg)					
Environmental System						
Work Environment	Suitable for Wet Locations, IP65					
Operating Temperature	-4°F to 113°F (-20°C to 45°C)					
L-70 Life	R > 36,000 hrs, C > 141,000 hrs					
Optical System						
Luminous Flux	ASD-CAN04-40D40B-PRM	5,219 lm	ASD-CAN04HV-40D50B-PRM	7,374 lm	ASD-CAN04-40D40W-MS-PRM	5,219 lm
	ASD-CAN04-40D50B-PRM	5,374 lm	ASD-CAN04HV-40D50W-PRM		ASD-CAN04-40D50W-MS-PRM	5,374 lm
	ASD-CAN04-40D40W-PRM	5,219 lm		ASD-CAN04-40D50B-MS-PRM		
	ASD-CAN04-40D50W-PRM	5,374 lm	ASD-CAN04-55D40B-EM-PRM	7,305 lm	ASD-CAN04-55D40B-MS-PRM	7,305 lm
	ASD-CAN04-55D40B-PRM	7,305 lm	ASD-CAN04-55D40W-EM-PRM		ASD-CAN04-55D40W-MS-PRM	
	ASD-CAN04-55D50W-PRM	7,423 lm		ASD-CAN04-55D50B-MS-PRM	7,423 lm	
	ASD-CAN04-55D40W-PRM	7,305 lm				
ASD-CAN04-75D50B-PRM	9,962 lm					
Color Temperature	4,000 K; 5,000 K					
CRI	>80					
Electrical System						
Input Voltage	Regular Voltage 120-277 V					
	High Voltage 347-480 V					
Max input current	ASD-CAN04-40D40B-PRM	0.45 A	ASD-CAN04HV-40D50B-PRM	0.6A	ASD-CAN04-40D40W-MS-PRM	0.6 A
	ASD-CAN04-40D50B-PRM		ASD-CAN04HV-40D50W-PRM		ASD-CAN04-40D50W-MS-PRM	
	ASD-CAN04-40D40W-PRM			ASD-CAN04-40D50B-MS-PRM		
	ASD-CAN04-40D50W-PRM	0.6 A	ASD-CAN04-55D40B-EM-PRM	0.6A	ASD-CAN04-55D40B-MS-PRM	
	ASD-CAN04-55D40B-PRM		ASD-CAN04-55D40W-EM-PRM		ASD-CAN04-55D40W-MS-PRM	
	ASD-CAN04-55D50W-PRM					
	ASD-CAN04-55D40W-PRM					
ASD-CAN04-75D50B-PRM						
Inrush current (Action time)	ASD-CAN04-40D40B-PRM	35 A (0.49 S)	ASD-CAN04HV-40D50B-PRM	35 A (0.55 S)	ASD-CAN04-40D40W-MS-PRM	35 A (0.49 S)
	ASD-CAN04-40D50B-PRM		ASD-CAN04HV-40D50W-PRM		ASD-CAN04-40D50W-MS-PRM	
	ASD-CAN04-40D40W-PRM			ASD-CAN04-40D50B-MS-PRM		
	ASD-CAN04-40D50W-PRM	35 A (0.62 S)	ASD-CAN04-55D40B-EM-PRM	35 A (0.48 S)	ASD-CAN04-55D40B-MS-PRM	35 A (0.62 S)
	ASD-CAN04-55D40B-PRM		ASD-CAN04-55D40W-EM-PRM		ASD-CAN04-55D40W-MS-PRM	
	ASD-CAN04-55D50W-PRM				ASD-CAN04-55D50B-MS-PRM	
ASD-CAN04-55D40W-PRM						
ASD-CAN04-75D50B-PRM	35 A (0.49 S)					
AC input range	ASD-CAN04-40D40B-PRM	min 100 V max 277 V	ASD-CAN04HV-40D50B-PRM	min 347 V max 480 V	ASD-CAN04-40D40W-MS-PRM	min 100 V max 277 V
	ASD-CAN04-40D50B-PRM		ASD-CAN04HV-40D50W-PRM		ASD-CAN04-40D50W-MS-PRM	
	ASD-CAN04-40D40W-PRM			ASD-CAN04-40D50B-MS-PRM		
	ASD-CAN04-40D50W-PRM		ASD-CAN04-55D40B-EM-PRM	ASD-CAN04-55D40B-MS-PRM		
	ASD-CAN04-55D40B-PRM		ASD-CAN04-55D40W-EM-PRM	ASD-CAN04-55D40W-MS-PRM		
	ASD-CAN04-55D50W-PRM			ASD-CAN04-55D50B-MS-PRM		
	ASD-CAN04-55D40W-PRM					
ASD-CAN04-75D50B-PRM						

For most up-to-date spec sheets please refer to [asd-lighting.com](http://asd-lighting.com)

ASD LIGHTING CORP

E-mail: [orders@asd-lighting.com](mailto:orders@asd-lighting.com) | Web site: [www.asd-lighting.com](http://www.asd-lighting.com)





# LED CANOPY with j-box

Premium Series

Electrical System						
Off State Power	0 W					
Power Consumption	ASD-CAN04-40D40B-PRM	40 W	ASD-CAN04HV-40D50B-PRM	40 W	ASD-CAN04-40D40W-MS-PRM	40 W
	ASD-CAN04-40D50B-PRM		ASD-CAN04HV-40D50W-PRM		ASD-CAN04-40D50W-MS-PRM	
	ASD-CAN04-40D40W-PRM			ASD-CAN04-40D50B-MS-PRM		
	ASD-CAN04-40D50W-PRM	55 W	ASD-CAN04-55D40B-EM-PRM	55 W	ASD-CAN04-55D40B-MS-PRM	55 W
	ASD-CAN04-55D40B-PRM		ASD-CAN04-55D40W-EM-PRM		ASD-CAN04-55D40W-MS-PRM	
	ASD-CAN04-55D50W-PRM			ASD-CAN04-55D50B-MS-PRM		
ASD-CAN04-55D40W-PRM						
ASD-CAN04-75D50B-PRM	75 W					
Power Factor	≥ 0.9					
Output voltage	ASD-CAN04-40D40B-PRM	36-54 V	ASD-CAN04HV-40D50B-PRM	16-48 V	ASD-CAN04-40D40W-MS-PRM	36-54 V
	ASD-CAN04-40D50B-PRM		ASD-CAN04HV-40D50W-PRM		ASD-CAN04-40D50W-MS-PRM	
	ASD-CAN04-40D40W-PRM			ASD-CAN04-40D50B-MS-PRM		
	ASD-CAN04-40D50W-PRM		ASD-CAN04-55D40B-EM-PRM	39-63 V	ASD-CAN04-55D40B-MS-PRM	
	ASD-CAN04-55D40B-PRM		ASD-CAN04-55D40W-EM-PRM		ASD-CAN04-55D40W-MS-PRM	
	ASD-CAN04-55D50W-PRM			ASD-CAN04-55D50B-MS-PRM		
	ASD-CAN04-55D40W-PRM					
	ASD-CAN04-75D50B-PRM					
Max output current	ASD-CAN04-40D40B-PRM	830 mA	ASD-CAN04HV-40D50B-PRM	830 mA	ASD-CAN04-40D40W-MS-PRM	830 mA
	ASD-CAN04-40D50B-PRM		ASD-CAN04HV-40D50W-PRM		ASD-CAN04-40D50W-MS-PRM	
	ASD-CAN04-40D40W-PRM			ASD-CAN04-40D50B-MS-PRM		
	ASD-CAN04-40D50W-PRM	1.15 A	ASD-CAN04-55D40B-EM-PRM	1.15 A	ASD-CAN04-55D40B-MS-PRM	1.15 A
	ASD-CAN04-55D40B-PRM		ASD-CAN04-55D40W-EM-PRM		ASD-CAN04-55D40W-MS-PRM	
	ASD-CAN04-55D50W-PRM			ASD-CAN04-55D50B-MS-PRM		
ASD-CAN04-55D40W-PRM	1.6 A					
LED driver class	ASD-CAN04-40D40B-PRM	Class 1	ASD-CAN04HV-40D50B-PRM	Class 2	ASD-CAN04-40D40W-MS-PRM	Class 1
	ASD-CAN04-40D50B-PRM		ASD-CAN04HV-40D50W-PRM		ASD-CAN04-40D50W-MS-PRM	
	ASD-CAN04-40D40W-PRM			ASD-CAN04-40D50B-MS-PRM		
	ASD-CAN04-40D50W-PRM		ASD-CAN04-55D40B-EM-PRM	Class 1	ASD-CAN04-55D40B-MS-PRM	
	ASD-CAN04-55D40B-PRM		ASD-CAN04-55D40W-EM-PRM		ASD-CAN04-55D40W-MS-PRM	
	ASD-CAN04-55D50W-PRM			ASD-CAN04-55D50B-MS-PRM		
	ASD-CAN04-55D40W-PRM					
	ASD-CAN04-75D50B-PRM					
Emergency system (mod. ASD-CAN04-EM)			Dimming compatible controls			
Emergency watts	15 W	Brand	Leviton	Lutron	Legrand	
Emergency Luminous Flux	2,250 lm	Models	DS710	NTSTV-DV	H4FBL3PW	
Emergency operation time	≥ 90 minutes		IP710	NFTV		
Battery charging time	24 hours			DVTW-WH		
<b>Warranty &amp; Certifications</b>						
5-year limited warranty						
DesignLights Consortium (DLC) listed (Classification: Premium)						
Main: Outdoor Luminaires; General Application: Mid Output; Primary Use: Parking Garage Luminaires						
cULus certified	E473804					

The LED Canopy with j-box is designed to install as a surface mounted luminaires.

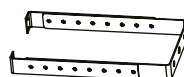
## PACKAGE CONTENTS:

Description	Q-ty
LED Canopy with j-box Fixture	1
Box	1
Cut Sheet	2

## ACCESSORIES:

### Surface Mount Bracket

ASD-SMB-CAN04



For most up-to-date spec sheets please refer to [asd-lighting.com](http://asd-lighting.com)

ASD LIGHTING CORP

E-mail: [orders@asd-lighting.com](mailto:orders@asd-lighting.com) | Web site: [www.asd-lighting.com](http://www.asd-lighting.com)





# LED CANOPY with j-box

Premium Series

## INSTALLATION GUIDE

### IMPORTANT SAFETY INFORMATION:

Please read all the instructions below before installation.

- ▶ Make sure that the supply voltage corresponds to the rated product voltage.
- ▶ The product must be installed by a qualified electrician in accordance with the National Electrical Code and corresponding local codes.
- ▶ If the product is damaged, do not use it.

### ⚠ WARNING

**RISK OF PERSONAL INJURY – READ and follow all WARNINGS and installation instructions.**

Keep or give to the owner for future reference.

**Risk of cuts:** Wear gloves to prevent cuts or abrasions when removing from carton, handling, installing, and maintaining this product.

**Risk of electric shock:** This product must be installed in accordance with the applicable installation code by a person familiar with the construction and operation of the product and the hazards involved.

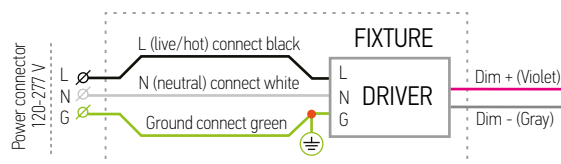
**Risk of Fire:** Minimum 194°F supply conductors. Consult a qualified electrician to ensure correct branch circuit conductor.

ASD® assumes no responsibility for claims arising out of improper or careless installation or handling of this product.

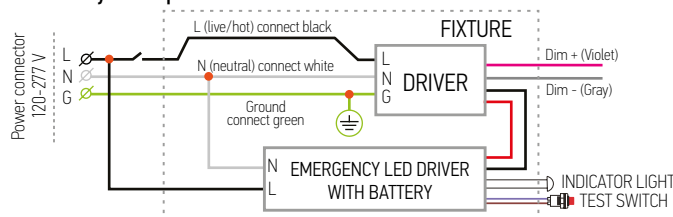
Model	Linkable Quantities Depending on Voltage*			
	AC120V	AC277V	AC347V	AC480V
40W	40 pcs	100 pcs	120 pcs	180 pcs
55W	25 pcs	72 pcs	-	-
75W	22 pcs	52 pcs	-	-

\*Recommended wire thickness should not exceed 18AWG

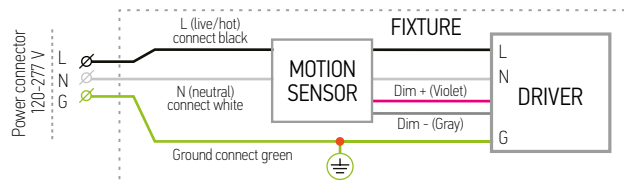
### ELECTRICAL SCHEMATIC DIAGRAM:



#### with battery back-up



#### with Motion Sensor



### BATTERY BACK-UP SYSTEM DETAILS:

Battery back-up information	
Battery capacity	2,000mA
Max emergency output power	15 W
Emergency current	350 mA
Emergency operation time	≥ 90 minutes
Battery voltage	14.8 V
Full charge/discharge cycles	500 cycles

### ⚠ WARNING

- This product should be installed by a qualified electrician. Connecting wires when power is on is not allowed. Power can be turned on after making sure that there is no phenomenon of short circuit and the connection is ok.
- The wall switch only controls the main power, does not affect emergency lighting.
- Green light - main power, Red light - charging, Yellow light – malfunction. Test - test button
- Frequent tests are prohibited. Interval between tests should be not less than one minute.

### AC Operation

AC power is present, The LED load from the LED driver is normal power supply, AC LED driver output current cannot exceed 4A, the emergency driver is charging in a standby mode, The green LED light on to indicate that it is charging.

### Emergency operation

When the AC power goes out, The emergency driver detects the AC power outage and automatically switch to the working emergency mode.

The green LED Light off. When the AC power is restored, the emergency driver backs to AC power working and starts re-charging, the green LED light on.

### Emergency mode operation description

Indicator signals meaning: Green indicator color - battery is charging; During emergency mode there is no signal

### Emergency driver technical service

For the test description - keep pressing the test button, and there will be 2 conditions:

- The correct emergency mode working: electric supply off - the light dims to 15W, emergency mode starts working, indicator is slow flashing;
- Malfunction emergency mode - power does not dim;

Action: Please keep pressing the button as while testing. Loosen the button, then electric supply will recover. No need to press again.

For most up-to-date spec sheets please refer to [asd-lighting.com](http://asd-lighting.com)



# LED CANOPY with j-box

Premium Series

## INTEGRATED MICROWAVE MOTION SENSOR INFORMATION

- ▶ Microwave technology allows for active motion sensing regardless of background temperature or line of sight issues
- ▶ Motion easily detected through plastic, glass and other thin non-metal material
- ▶ Sensors are completely contained within the enclosure for IP65 rating
- ▶ 1-10 V interface allows for multiple dimming levels and functionality (see below)
- ▶ Integral daylight sensor allows light activation at defined brightness threshold
- ▶ Precise daylight thresholds, time delays and detection areas set via DIP switch (see sensor settings)

Specifications	Model MC605V	
For fixtures model	ASD-CAN04-40D40W-MS-PRM ASD-CAN04-40D50W-MS-PRM ASD-CAN04-40D50B-MS-PRM	ASD-CAN04-55D40B-MS-PRM ASD-CAN04-55D40W-MS-PRM ASD-CAN04-55D50B-MS-PRM
Input Voltage	120-277 V	
Max Load	400W @120 VAC, 800W 2 277VAC	
Stand-by Power	<1W	
Detection Sensitivity	25% / 50% / 75% / 100%	
Hold Time	5S / 30S / 90s / 3min / 20 min / +∞	
Daylight Sensor	5lux (0.5Fc)/ 15lux(1.4Fc)/ 30lux(2.8Fc)/ 50lux (4.7Fc)/ 100lux (9.3Fc)/ 150lux (14Fc)/ Disable	
Standby Period	0S/ 5s/ 5min/ 10min/ 30min/ 1hr/ +∞	
Standby Dimming Level	10% / 20% / 30% / 50%	
Suggested Mounting Height	6.5-26ft (2.5 - 8m) / 33ft (10m) Max	
Detection Range	26ft (8m) (10ft (3m) mounting height)	
Detection Angle	150° (wall installation) 360° (ceiling installation )	
Operating Temperature	4°F to 113°F	

### DIMMING FUNCTION: 3 STEP "100% - LOW LIGHT - OFF"

Situation	Sufficient Light	Insufficient light and motion	After hold time No further motion	After standby period
Light status	OFF	ON-100%	Low Light	Off

### DIMMING FUNCTION: 2 STEP "100% - LOW LIGHT"

Situation	No Motion	Motion	After hold up time No further motion
Light Status	LOW LIGHT	ON - 100%	Low Light

Note: 2 step dimming requires that daylight sensor be set to disable mode.

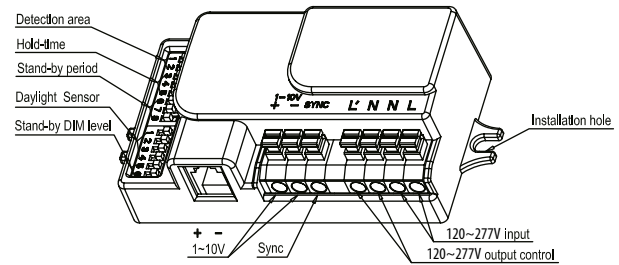
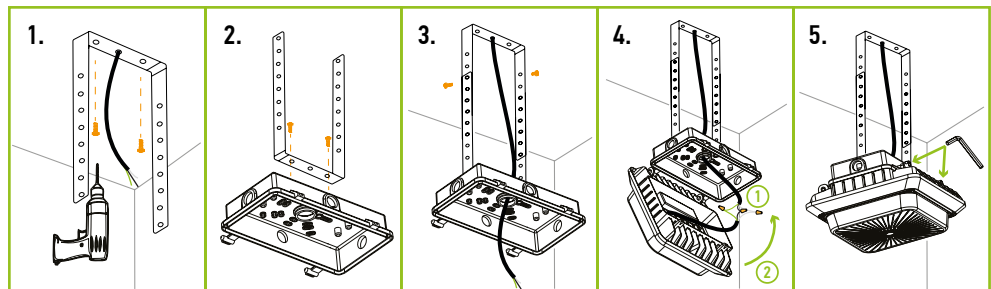


RF interference may affect the operation of this sensor

## SURFACE MOUNTING BRACKET

**ASD-SMB-CAN04** sold separately:

1. Fix the upper bracket on the ceiling.
2. Fix the lower bracket with driver box cover.
3. Align with holes of upper and lower bracket; tighten with screws; insert the mounting hole of radiator horizontally on the shaft of driver cover.
4. Wiring: Connect black wire to line (hot), white wire to neutral, and green to ground. If dimming required, use the provided dimming leads (Dim+ and Dim- leads). If dimming is not required, leave caps on dimming leads.
5. Lock the two cap screws, the product is installed.



## MOTION SENSOR SETTING:

For motion sensor adjustment – open the driver box cover. Use the following DIP switch settings to set dimming levels, hold times, standby periods, detection area and daylight sensor mode. By selecting the combination switches to reach the desired sensor settings. Each switch will indicate ON when moved UP. Close the driver box cover when the setting up completed.

	1	2	
ON ↑	I ON	ON	100%
	II ON	-	75%
	III -	ON	50%
	IV -	-	25%

### Detection Area

Reduce detection area by selecting these switch combinations.

	3	4	5	
ON ↑	I ON	ON	ON	5s
	II -	ON	ON	30s
	III ON	-	ON	90s
	IV -	-	ON	3min
	V ON	ON	-	20min
	VI -	-	-	+∞

### Hold Time

Refers to the time the lamp remains at 100% after no further motion is detected

	6	7	8	
ON ↑	I ON	ON	ON	0S
	II -	ON	ON	5S
	III ON	-	ON	5min
	IV -	-	ON	10min
	V ON	ON	-	30min
	VI -	ON	-	1h
	VII -	-	-	+∞

### Stand by Period

Refers to the time the light stays on at low light level before it shuts completely off in the long absence of motion. Daylight sensor switch must be enabled

	1	2	
ON ↑	I ON	ON	50%
	II -	ON	30%
	III ON	-	20%
	IV -	-	10%

### Stand by Dimming Period

This is the low light level after the hold time in the long absence of motion

	3	4	5	6	
ON ↑	I ON	ON	ON	ON	5lx (0.5Fc)
	II -	ON	ON	ON	15lx (1.4Fc)
	III ON	-	ON	ON	30lx (2.8Fc)
	IV -	-	ON	ON	50lx (4.7Fc)
	V ON	ON	-	ON	100lx (9.3Fc)
	VI ON	ON	ON	-	150lx (14Fc)
	VII -	-	-	-	Disable

### Daylight Sensor

The sensor can be set to allow for illumination at a desired brightness. When set to disable mode, the daylight sensor will turn on the light when there is motion regardless of the ambient light level 100 lux (9.3 Fc), 50 lux (4.7 Fc): for darkness operation only.

Note: the sensor is only active when the light is totally off.

For most up-to-date spec sheets please refer to [asd-lighting.com](http://asd-lighting.com)

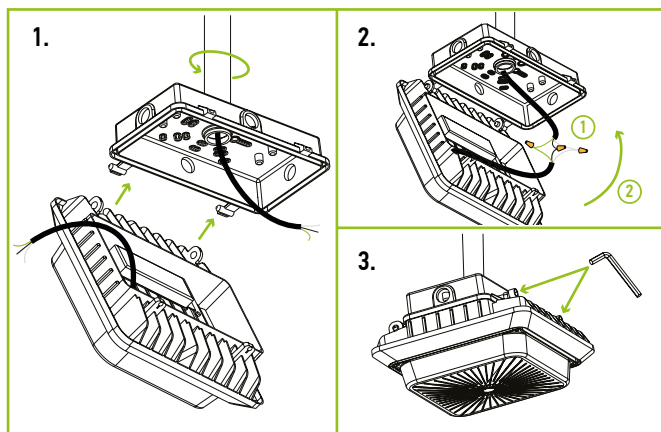


# LED CANOPY with j-box

Premium Series

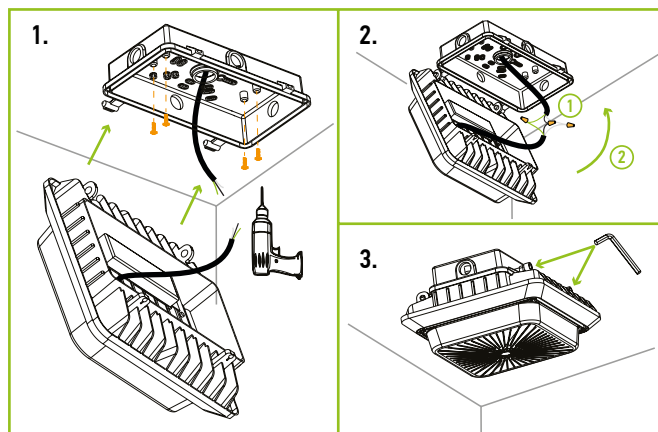
## POLE MOUNT

1. Fix the driver box cover on  $\frac{3}{4}$  pole by 2 customer supplied locknuts. Insert the mounting hole of radiator horizontally on the shaft of driver cover.
2. Wiring: Connect black wire to line (hot), white wire to neutral, and green to ground. If dimming required, use the provided dimming leads (Dim+ and Dim- leads). If dimming is not required, leave caps on dimming leads.
3. Turn the radiator up then cover the driver box. Lock the two cap screw.



## SURFACE MOUNT

1. Fix the driver box cover on the ceiling. Insert the mounting hole of radiator horizontally on the shaft of driver cover.
2. Wiring: Connect black wire to line (hot), white wire to neutral, and green to ground. If dimming required, use the provided dimming leads (Dim+ and Dim- leads). If dimming is not required, leave caps on dimming leads.
3. Turn the radiator up then cover the driver box. Lock the two cap screw.



## ORDERING INFORMATION

### LED CANOPY WITH J-BOX:

Model	Watts	UPC	GTIN14	Pcs. per Carton	Carton Size	Carton Weight
ASD-CAN04-40D40B-PRM	40 W	819201021703	10819201021700	4	22" x 14.6" x 11.8"	22.5 lb
ASD-CAN04-40D50B-PRM	40 W	819201026142	10819201026149	4	22" x 14.6" x 11.8"	22.5 lb
ASD-CAN04-40D40W-PRM	40 W	819201021680	10819201021687	4	22" x 14.6" x 11.8"	22.5 lb
ASD-CAN04-40D50W-PRM	40 W	819201026159	10819201026156	4	22" x 14.6" x 11.8"	22.5 lb
ASD-CAN04-55D40B-PRM	55 W	819201021710	10819201021717	4	22" x 14.6" x 11.8"	23.4 lb
ASD-CAN04-55D50W-PRM	55 W	819201026166	10819201026163	4	22" x 14.6" x 11.8"	23.4 lb
ASD-CAN04-55D40W-PRM	55 W	819201021697	10819201021694	4	22" x 14.6" x 11.8"	23.4 lb
ASD-CAN04-75D50B-PRM	75 W	819201022236	10819201022233	2	15.4" x 12.4" x 12.8"	17.2 lb
ASD-CAN04HV-40D50B-PRM	40 W	819201023448	10819201023445	4	22.1" x 14.6" x 11.8"	23.4 lb
ASD-CAN04HV-40D50W-PRM	40 W	819201023431	10819201023438	4	22.1" x 14.6" x 11.8"	23.4 lb
ASD-CAN04-55D40B-EM-PRM	55 W	819201023462	10819201023469	4	21.7" x 17.3" x 11.6"	27.6 lb
ASD-CAN04-55D40W-EM-PRM	55 W	819201023455	10819201023452	4	21.7" x 17.3" x 11.6"	27.6 lb
ASD-CAN04-40D40W-MS-PRM	40 W	810050732000	10810050732007	4	22.1" x 14.6" x 11.8"	23.8 lb
ASD-CAN04-40D50W-MS-PRM	40 W	819201026173	10819201026170	4	22.1" x 14.6" x 11.8"	23.8 lb
ASD-CAN04-40D50B-MS-PRM	40 W	819201026180	10819201026187	4	22.1" x 14.6" x 11.8"	23.8 lb
ASD-CAN04-55D40B-MS-PRM	55 W	819201021727	10819201021724	4	22.1" x 14.6" x 11.8"	24.3 lb
ASD-CAN04-55D40W-MS-PRM	55 W	819201021734	10819201021731	4	22.1" x 14.6" x 11.8"	24.3 lb
ASD-CAN04-55D50B-MS-PRM	55 W	819201026791	10819201026798	4	22.1" x 14.6" x 11.8"	24.3 lb

### ACCESSORIES:

Model	Name	Materials	Weight	Dimensions	UPC	Pcs. per Carton	Carton Size	Carton Weight	GTIN 14
ASD-SMB-CAN04	Surface mounting bracket	Aluminum	1.50 lb (0.68 kg)	6'x6 3/4"x1 3/8"	819201023219	20	16.73"x14.17"x12.8"	33.07 lb	10819201023216

For most up-to-date spec sheets please refer to [asd-lighting.com](http://asd-lighting.com)

ASD LIGHTING CORP

E-mail: [orders@asd-lighting.com](mailto:orders@asd-lighting.com) | Web site: [www.asd-lighting.com](http://www.asd-lighting.com)

