



# LED ROUND RECESSED MINI PANEL

## 120-277V with 0-10V

► **DESIGN** - LED ROUND RECESSED MINI PANEL baffle trim with a classic, low-profile design is an ideal solution for low ceilings. This fixture has a J-box, plug & twist connector, spring-loaded clips, making the installation process quick and easy. The acrylic lens with a 110° beam angle and CRI90+ grants you even light. It is designed to operate on 120-277V circuits with a 0-10V dimmable driver.

► **HEAVY DUTY SPRING CLIPS** - with increased height allow to install the fixture in ceilings up to 1-3/4" thick.

► **COLOR SELECTABLE** - You can choose either a 2,700K soft white, 3,000K warm white, 3,500K neutral white, 4,000K cool white, or 5,000K daylight color temperature.

► **INSTALLATION** - This fixture is Air Tight and IC rated so there is no can or any other housing required. It is also Wet Locations rated, making it perfect for kitchen, bathroom or any other common areas.

► **ADVANTAGES** - With a lifespan of 50,000 hours, these fixtures are made to last decades under normal operation! ASD provides a 5-year limited warranty along with ETL certification to guarantee top quality products and safety!

Catalog number	
Notes	
Type	



Model	Size	Watts	Voltage	Dimmable	Lumens	CCT	Finish	Dimensions
ASD-JBRB-MV-4D12WH	4 inch	12W	120-277 V	0-10 V	up to 935 lm	5CCT (2,700/3,000/3,500/4,000/5,000 K)	White	5" x 2-13/16"
ASD-JBRB-MV-4D12BK	4 inch	12W	120-277 V	0-10 V	up to 935 lm	5CCT (2,700/3,000/3,500/4,000/5,000 K)	Black	5" x 2-13/16"
ASD-JBRB-MV-6D15WH	6 inch	15W	120-277 V	0-10 V	up to 1,214 lm	5CCT (2,700/3,000/3,500/4,000/5,000 K)	White	6-7/8" x 2-13/16"
ASD-JBRB-MV-6D15BK	6 inch	15W	120-277 V	0-10 V	up to 1,214 lm	5CCT (2,700/3,000/3,500/4,000/5,000 K)	Black	6-7/8" x 2-13/16"

For detailed luminous flux information please refer to Annex 1, page 3.

## ORDERING INFORMATION

Model	UPC	Pcs. per carton	Carton size	Carton weight	GTIN 14
ASD-JBRB-MV-4D12WH	810128115032	6	12.4" x 7.1" x 8.1"	8.2 lbs	10810128115039
ASD-JBRB-MV-4D12BK	810128116244	6	12.4" x 7.1" x 8.1"	8.2 lbs	10810128116241
ASD-JBRB-MV-6D15WH	810128114455	6	14.8" x 7.7" x 8.1"	8.6 lbs	20810128114459
ASD-JBRB-MV-6D15BK	810128116251	6	14.8" x 7.7" x 8.1"	8.6 lbs	10810128116258

## ACCESSORIES:

Model	Description	UPC	Pcs. per carton	Carton size	Carton weight	GTIN 14
BLD-HM08D	Battery back-up kit 8W	810128111508	10	17.1" x 14.6" x 11"	19.6 lbs	10810128111505
BLD-HM15D	Battery back-up kit 15W	810050734882	10	17.8" x 13.5" x 9.5"	21.1 lbs	10810050734889
ASD-EMA15-NLS	Smart battery back-up kit 15W	810128114356	10	20" x 15.4" x 12"	19.8 lbs	10810128114353
ASD-MPLR-346-FA-6PACK	New construction flat mounting plate with asymmetric round holes 3-4-6"	810050739344	4	14.1" x 10.2" x 3.8"	23.6 lbs	10810050739341
ASD-MPLR18-346-FA-6PACK	New construction flat mounting plate 18" with asymmetric round holes 3-4-6"	810128112826	4	18.9" x 10.2" x 3.8"	32 lbs	10810128112823
ASD-MPLR-346-FS-6PACK	New construction flat mounting plate with symmetric round holes 3-4-6"	810050739351	4	26.9" x 9.5" x 3.8"	26.4 lbs	10810050739358
ASD-MPLR-346-SC-6PACK	New construction mounting plate with round holes and sliding clips 3-4-6"	810050739337	2	17.3" x 11.9" x 13.4"	17 lbs	10810050739334

For most up-to-date spec sheets please refer to [asd-lighting.com](http://asd-lighting.com)



# LED ROUND RECESSED MINI PANEL

## 120-277V with 0-10V

### PRODUCT SPECIFICATIONS:

Construction & Materials					
Housing	Aluminum, Metal				
Lens	PC				
Finish	White, Black				
Weight	for 4" models: 0.9 lbs (0.4 kg)	for 6" models: 1.2 lbs (0.5 kg)			
Environmental system					
Work environment	Suitable for Wet Locations				
Operating temperature	-4°F to 104°F (-20°C to 40°C)				
L-70 Life	> 50,000 hrs				
Optical system					
Color temperature	5CCT switch (2,700/3,000/3,500/4,000/5,000 K), 5,000 K by default				
CRI	> 90				
Electrical system					
Input voltage	120-277 V				
Max input current	for 4" models: 0.12 A	for 6" models: 0.15 A			
Inrush current (Action time)	for 4" models: 5 A (0.5 S)	for 6" models: 6 A (0.5 S)			
Off state power	0W				
Power consumption	for 4" models: 12W	for 6" models: 15W			
Power factor	> 0.9				
Output voltage	36 V				
Max output current	for 4" models: 0.27 A	for 6" models: 0.34 A			
Surge protection DM/CM	2.5 kV / 2.5 kV				
Dimming range					
10-100%					
Dimming compatible controls					
Brand	Lutron	Philips	Lightolier	Watt stopper	Leviton
Models	NFTV	SR1200ZTUNV	ZP600FAM120	DCLV1	IP7
	NFTV				
	DVTV				
Regular and voluntary certifications					
5-year limited warranty					
cETLus certified 5003560					

### PACKAGE CONTENTS:

Description	Q-ty
LED Round Recessed Mini Panel Baffle Trim	1
Template for 4 or 6 inch (A)	1
Box	1



### ACCESSORIES (sold separately):

**Battery back-up kit**

**8W** BLD-HM08D

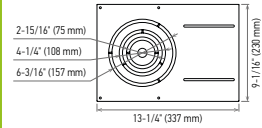
**15W** BLD-HM15D

**Smart battery back-up kit**

**15W** ASD-EMA15-NLS

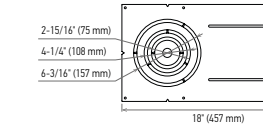
**New construction flat mounting plate with symmetric round holes 3-4-6"**

ASD-MPLR-346-FA-6PACK



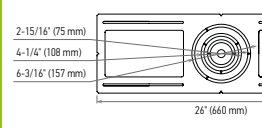
**New construction flat mounting plate 18" with asymmetric round holes 3-4-6"**

ASD-MPLR18-346-FA-6PACK



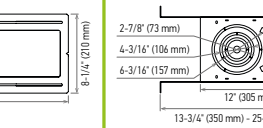
**New construction flat mounting plate with symmetric round holes 3-4-6"**

ASD-MPLR-346-FS-6PACK



**New construction mounting plate with round holes and sliding clips 3-4-6"**

ASD-MPLR-346-SC-6PACK



### ACCESSORY COMPATIBILITY LIST:

Accessories	Models						
	Battery back-up kit 8W BLD-HM08D	Battery back-up kit 15W BLD-HM15D	Smart battery back-up kit 15W ASD-EMA15-NLS	New construction flat mounting plate with asymmetric round holes 3-4-6" ASD-MPLR-346-FA-6PACK	New construction flat mounting plate 18" with asymmetric round holes 3-4-6" ASD-MPLR18-346-FA-6PACK	New construction flat mounting plate with symmetric round holes 3-4-6" ASD-MPLR-346-FS-6PACK	New construction mounting plate with round holes and sliding clips 3-4-6" ASD-MPLR-346-SC-6PACK
ASD-JBRB-MV-4D12WH	●	●	●	●	●	●	
ASD-JBRB-MV-4D12BK	●	●	●	●	●	●	
ASD-JBRB-MV-6D15WH	●	●	●	●	●	●	●
ASD-JBRB-MV-6D15BK	●	●	●	●	●	●	●

## BATTERY BACK-UP KIT INFORMATION

**BLD-HM08D** **BLD-HM15D** **ASD-EMA15-NLS** sold separately:

Specifications	model: BLD-HM08D	model: BLD-HM15D	model: ASD-EMA15-NLS
Input voltage	120-347 Vac, 50/60 Hz	120-347 Vac, 50/60 Hz	100-347 Vac, 50/60 Hz
Input current	≤ 100 mA	≤ 100 mA	max 100 mA
Output voltage	≤ 170 Vdc	≤ 175 Vdc	145 Vdc
Output power	8W	15W	15W
Application	< 60W (0-10 V dimmable fixture)	< 100W (0/1-10 V dimmable fixture)	15-120W (0-10 V dimmable fixture)
Ambient temperature	32°F to 122°F (0°C to 50°C)		
Lumens in emergency mode	for 4" model	935 lm	935 lm
	for 6" model	624 lm	1214 lm

For most up-to-date spec sheets please refer to [asd-lighting.com](http://asd-lighting.com)



# LED ROUND RECESSED MINI PANEL

120-277V with 0-10V

## INSTALLATION GUIDE

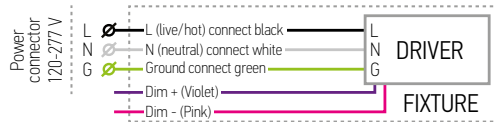
### IMPORTANT SAFETY INFORMATION:

Please read all the instructions below before installation.

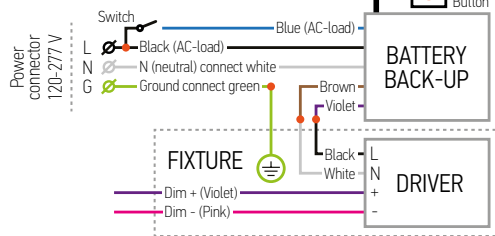
- ▶ Make sure that the supply voltage corresponds to the rated product voltage.
- ▶ The product must be installed by a qualified electrician in accordance with the National Electrical Code and corresponding local codes.
- ▶ If the product is damaged, do not use it.

### ELECTRICAL SCHEMATIC DIAGRAM:

#### JBRB

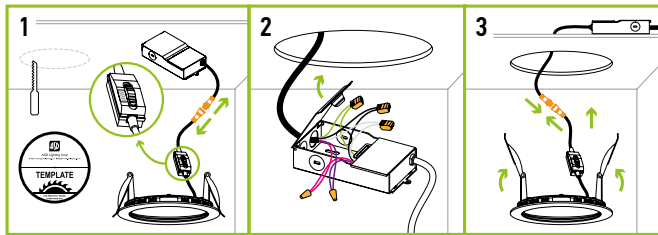


#### JBRB with battery back-up kit



### INSTALLATION STEPS:

1. Use template to cut an appropriately sized hole. Disconnect the fixture from the junction box. Choose needed color temperature by adjusting the switch.
2. Open junction box. Connect the wires: Black to Black, White to White, Green to Green. Secure the connection with quick connector. Close the junction box. Insert the junction box into the cut hole, leaving the connection cable outside.
3. Connect the fixture to the Junction box inserting the cable and securing it with a cap. Push the spring loaded clips upwards and insert the fixture base into the mounting hole. Release the clips, so the fixture fits securely.



## ANNEX 1

Model	Watts	2,700 K	3,000 K	3,500 K	4,000 K	5,000 K
ASD-JBRB-MV-4D12WH ASD-JBRB-MV-4D12BK	12W	841 lm	890 lm	935 lm	929 lm	886 lm
ASD-JBRB-MV-6D15WH ASD-JBRB-MV-6D15BK	15W	1,053 lm	1,102 lm	1,185 lm	1,214 lm	1,153 lm

### ⚠ WARNING

**RISK OF PERSONAL INJURY – READ and follow all WARNINGS and installation instructions.** Keep or give to the owner for future reference.

**Risk of cuts:** Wear gloves to prevent cuts or abrasions when removing from carton, handling, installing, and maintaining this product.

**Risk of electric shock:** This product must be installed in accordance with the applicable installation code by a person familiar with the construction and operation of the product and the hazards involved.

**Risk of Fire:** Minimum 194°F supply conductors. Consult a qualified electrician to ensure correct branch circuit conductor.

ASD® assumes no responsibility for claims arising out of improper or careless installation or handling of this product.

### INSTALLATION BATTERY BACK-UP KIT

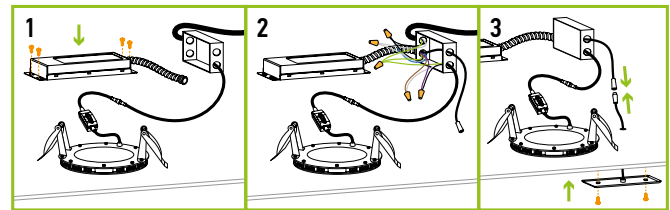
BLD-HM08D

BLD-HM15D

ASD-EMA15-NLS

sold separately:

1. Secure the battery back-up to the ceiling.
2. Connect wires as shown on electrical diagram.
3. Connect test switch and secure it in the hole on surface.



### MOUNTING PLATE INSTALLATION

ASD-MPLR-346-FA

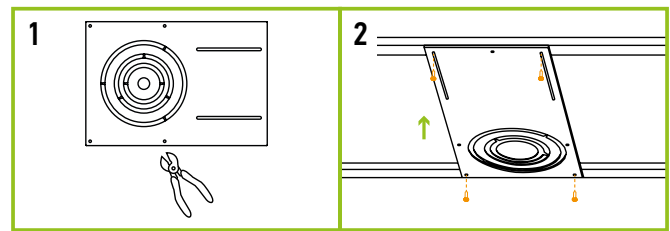
ASD-MPLR18-346-FA

ASD-MPLR-346-FS

ASD-MPLR-346-SC

sold separately:

1. Remove the metal ring from the mounting plate according to the size of fixture.
2. Place the mounting plate and secure its position with screws on the beams.



For most up-to-date spec sheets please refer to [asd-lighting.com](http://asd-lighting.com)