



# LED ROUND RECESSED MINI PANEL

► **DESIGN & OPTIONS** - LED ROUND RECESSED MINI PANEL has a low-profile, classic design that allows you to have a sleek look with efficient lighting. Smooth dimming capabilities ranging from 100% to 10% with modern LED dimmers. Includes a color selectable option, you can choose either 3,000K, 4,000K or 5,000K with a simple switch. The 120° beam angle will leave no dark spots on the floor surface. Comes in five sizes: 3", 4", 6", 8", 12" and three finish options: WHITE, BLACK and BRONZE.

Use the NEW CONSTRUCTION MOUNTING PLATES to install LED RECESSED MINI PANEL into newly constructed or remodeled homes. Included mounting holes and tracks mean these plates will fit perfectly in many different structural layouts. Alignment notches on the plate help to align multiple plates. It is compatible with a range of 3", 4", and 6" LED recessed lights.

► **INSTALLATION** - This fixture has a J-box and requires only 2" of ceiling space, making the installation process quick and easy. It has everything you need in one set. Just cut out the template, connect the J-box wiring to your light switch, and place it into your ceiling. Spring-loaded clips ensure a snug fit to the surface. This fixture is IC rated so there is no can or any other housing required. Refer to install instructions for detailed steps.

► **APPLICATION** - Install the fixture to the ceiling for bright light in your family room, bedroom, hallways, corridors, or any other common areas in your living space. It is also suitable for Damp Locations, making it perfect for your kitchen or garage as well. You could also use it as a complimentary light to an existing ceiling light.

► **ENERGY SAVINGS & EFFICIENCY** - With a lifespan of 50,000 hours, these fixtures are made to last decades under normal operation! This fixture can cut your electric bill by up to 80% instantly and will save you a significant amount of money in its lifetime.

► **CERTIFICATION & WARRANTY** - Buy with confidence: ASD provides a 5-year limited warranty along with ETL certification to guarantee top quality products and safety!

Energy Star classification allow participation in rebates; please check the rebate programs available in your state.

Catalog number	
Notes	
Type	



Finish:	White
	Bronze
	Black

Model	Size	Watts	Voltage	Dimmable	Lumens	CCT	Finish	Dimensions (LxH)
ASD-LMPJBR-3D6CC-WH	3 inch	6 W	120 V	TRIAC	420 lm	3CCT (3,000/4,000/5,000 K)	White	3-5/16" x 15/16"
ASD-LMPJBR-3D6CC-BZ	3 inch	6 W	120 V	TRIAC	420 lm	3CCT (3,000/4,000/5,000 K)	Oil rubbed bronze	3-5/16" x 15/16"
ASD-LMPJBR-4D12CC-WH	4 inch	12 W	120 V	TRIAC	900 lm	3CCT (3,000/4,000/5,000 K)	White	4-3/4" x 15/16"
ASD-LMPJBR-4D12CC-BZ	4 inch	12 W	120 V	TRIAC	900 lm	3CCT (3,000/4,000/5,000 K)	Oil rubbed bronze	4-3/4" x 15/16"
ASD-LMPJBR-4D12CC-BK	4 inch	12 W	120 V	TRIAC	900 lm	3CCT (3,000/4,000/5,000 K)	Black	4-3/4" x 15/16"
ASD-LMPJBR-6D15CC-WH	6 inch	15 W	120 V	TRIAC	1,125 lm	3CCT (3,000/4,000/5,000 K)	White	6-7/8" x 15/16"
ASD-LMPJBR-6D15CC-BZ	6 inch	15 W	120 V	TRIAC	1,125 lm	3CCT (3,000/4,000/5,000 K)	Oil rubbed bronze	6-7/8" x 15/16"
ASD-LMPJBR-6D15CC-BK	6 inch	15 W	120 V	TRIAC	1,125 lm	3CCT (3,000/4,000/5,000 K)	Black	6-7/8" x 15/16"
ASD-LMPJBR-8D18CC-WH	8 inch	18 W	120 V	TRIAC	1,350 lm	3CCT (3,000/4,000/5,000 K)	White	7-7/8" x 15/16"
ASD-LMPJBR-8D18CC-BZ	8 inch	18 W	120 V	TRIAC	1,350 lm	3CCT (3,000/4,000/5,000 K)	Oil rubbed bronze	7-7/8" x 15/16"
ASD-LMPJBR-12D24CC-WH	12 inch	24 W	120 V	TRIAC	1,800 lm	3CCT (3,000/4,000/5,000 K)	White	11-13/16" x 15/16"
ASD-LMPJBR-12D24CC-BZ	12 inch	24 W	120 V	TRIAC	1,800 lm	3CCT (3,000/4,000/5,000 K)	Oil rubbed bronze	11-13/16" x 15/16"

## PRODUCT SPECIFICATIONS:

Construction & Materials						
Housing	Aluminum					
Lens	Plastic					
Finish	White, Oil rubbed bronze, Black					
Weight	ASD-LMPJBR-3D6CC-WH	0.5 lbs (0.2 kg)	ASD-LMPJBR-4D12CC-BZ	0.7 lbs (0.3 kg)	ASD-LMPJBR-8D18CC-WH	1.1 lbs (0.5 kg)
	ASD-LMPJBR-3D6CC-BZ		ASD-LMPJBR-6D15CC-WH		ASD-LMPJBR-8D18CC-BZ	
	ASD-LMPJBR-4D12CC-WH	0.7 lbs (0.3 kg)	ASD-LMPJBR-6D15CC-BK	0.9 lbs (0.4 kg)	ASD-LMPJBR-12D24CC-WH	2 lbs (0.9 kg)
	ASD-LMPJBR-4D12CC-BK		ASD-LMPJBR-6D15CC-BZ		ASD-LMPJBR-12D24CC-BZ	
Environmental system						
Work environment	Suitable for Damp Locations					
Operating temperature	14°F to 113°F (-10°C to 45°C)					
L-70 Life	> 50,000 hrs					

For most up-to-date spec sheets please refer to [asd-lighting.com](http://asd-lighting.com)

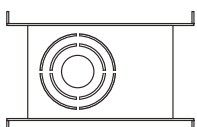


# LED ROUND RECESSED MINI PANEL

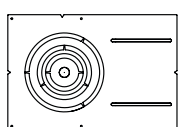
Optical system						
Luminous flux	ASD-LMPJBR-3D6CC-WH	420 lm	ASD-LMPJBR-4D12CC-BZ	900 lm	ASD-LMPJBR-8D18CC-WH	1,350 lm
	ASD-LMPJBR-3D6CC-BZ		ASD-LMPJBR-6D15CC-WH		ASD-LMPJBR-8D18CC-BZ	
	ASD-LMPJBR-4D12CC-WH	900 lm	ASD-LMPJBR-6D15CC-BK	1,125 lm	ASD-LMPJBR-12D24CC-WH	1,800 lm
ASD-LMPJBR-4D12CC-BK	ASD-LMPJBR-6D15CC-BZ		ASD-LMPJBR-12D24CC-BZ			
Color temperature	3CCT (3,000/4,000/5,000 K)					
CRI	> 80					
Electrical system						
Input voltage	120 V					
Max input current	ASD-LMPJBR-3D6CC-WH	0.09 A	ASD-LMPJBR-4D12CC-BZ	0.15 A	ASD-LMPJBR-8D18CC-WH	0.3 A
	ASD-LMPJBR-3D6CC-BZ		ASD-LMPJBR-6D15CC-WH		ASD-LMPJBR-8D18CC-BZ	
	ASD-LMPJBR-4D12CC-WH	0.15 A	ASD-LMPJBR-6D15CC-BK	1,125 lm	ASD-LMPJBR-12D24CC-WH	0.3 A
ASD-LMPJBR-4D12CC-BK	ASD-LMPJBR-6D15CC-BZ		ASD-LMPJBR-12D24CC-BZ			
Inrush current (Action time)	ASD-LMPJBR-3D6CC-WH	0.175 A (0.05 S)	ASD-LMPJBR-4D12CC-BZ	0.349 A (0.059 S)	ASD-LMPJBR-8D18CC-WH	0.36 A (0.064 S)
	ASD-LMPJBR-3D6CC-BZ		ASD-LMPJBR-6D15CC-WH		ASD-LMPJBR-8D18CC-BZ	
	ASD-LMPJBR-4D12CC-WH	0.349 A (0.059 S)	ASD-LMPJBR-6D15CC-BK	0.349 A (0.059 S)	ASD-LMPJBR-12D24CC-WH	0.36 A (0.064 S)
ASD-LMPJBR-4D12CC-BK	ASD-LMPJBR-6D15CC-BZ		ASD-LMPJBR-12D24CC-BZ			
Off state power	0W					
Power consumption	ASD-LMPJBR-3D6CC-WH	6W	ASD-LMPJBR-4D12CC-BZ	12W	ASD-LMPJBR-8D18CC-WH	18W
	ASD-LMPJBR-3D6CC-BZ		ASD-LMPJBR-6D15CC-WH		ASD-LMPJBR-8D18CC-BZ	
	ASD-LMPJBR-4D12CC-WH	12W	ASD-LMPJBR-6D15CC-BK	15W	ASD-LMPJBR-12D24CC-WH	24W
ASD-LMPJBR-4D12CC-BK	ASD-LMPJBR-6D15CC-BZ		ASD-LMPJBR-12D24CC-BZ			
Power factor	> 0.9					
Output voltage	ASD-LMPJBR-3D6CC-WH	16-23 V	ASD-LMPJBR-4D12CC-BZ	32-40 V	ASD-LMPJBR-8D18CC-WH	40-59 V
	ASD-LMPJBR-3D6CC-BZ		ASD-LMPJBR-6D15CC-WH		ASD-LMPJBR-8D18CC-BZ	
	ASD-LMPJBR-4D12CC-WH	32-40 V	ASD-LMPJBR-6D15CC-BK	40-50 V	ASD-LMPJBR-12D24CC-WH	40-59 V
ASD-LMPJBR-4D12CC-BK	ASD-LMPJBR-6D15CC-BZ		ASD-LMPJBR-12D24CC-BZ			

## ACCESSORIES (sold separately):

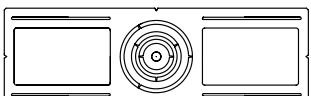
**New construction mounting plate with round holes and sliding clips**  
ASD-MPLR-346-SC



**New construction flat mounting plate with an asymmetric round holes**  
ASD-MPLR-346-FA



**New construction flat mounting plate with a symmetric round holes**  
ASD-MPLR-346-FS



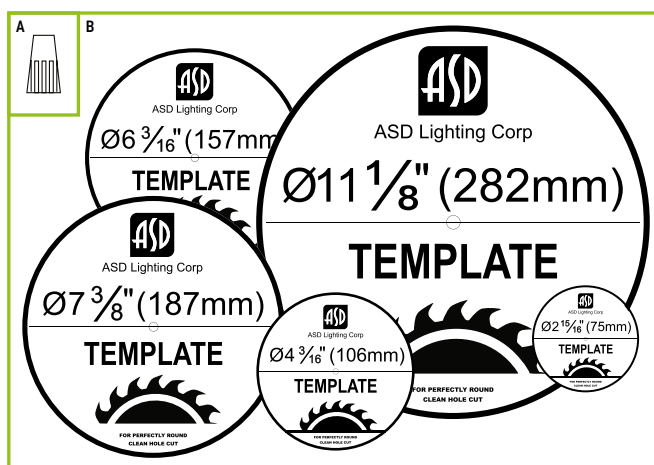
## ACCESSORY COMPATIBILITY LIST:

Models	Accessories		
	New construction mounting plate with round holes and sliding clips ASD-MPLR-346-SC	New construction flat mounting plate with an asymmetric round holes ASD-MPLR-346-FA	New construction flat mounting plate with a symmetric round holes ASD-MPLR-346-FS
ASD-LMPJBR-3D6CC-WH	•	•	•
ASD-LMPJBR-3D6CC-BZ	•	•	•
ASD-LMPJBR-4D12CC-WH	•	•	•
ASD-LMPJBR-4D12CC-BK	•	•	•
ASD-LMPJBR-4D12CC-BZ	•	•	•
ASD-LMPJBR-6D15CC-WH	•	•	•
ASD-LMPJBR-6D15CC-BK	•	•	•
ASD-LMPJBR-6D15CC-BZ	•	•	•
ASD-LMPJBR-8D18CC-WH	•	•	•
ASD-LMPJBR-8D18CC-BZ	•	•	•
ASD-LMPJBR-12D24CC-WH	•	•	•
ASD-LMPJBR-12D24CC-BZ	•	•	•

Dimming range		
10-100%		
Dimming compatible controls		
Brand	Lutron	Leviton
Models	CTELV-303P-WH	6674
	SELV-300P	
	DVELV-300P	
Regular and voluntary certifications		
5-year limited warranty		
Energy Star listed		
cETLus certified 3194213		

## PACKAGE CONTENTS:

Description	Q-ty
LED Round Recessed Mini Panel	1
Wire nut (A)	3
Template for 3, 4, 6, 8 or 12 inch (B)	1
Box	1



For most up-to-date spec sheets please refer to [asd-lighting.com](http://asd-lighting.com)



# LED ROUND RECESSED MINI PANEL

## INSTALLATION GUIDE

### IMPORTANT SAFETY INFORMATION:

Please read all the instructions below before installation.

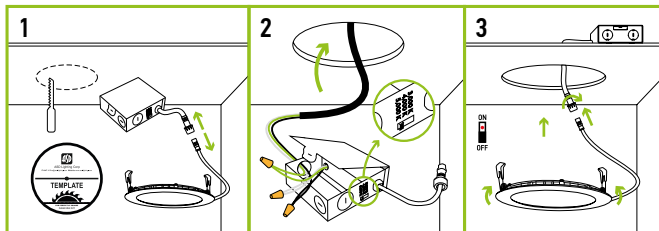
- ▶ Make sure that the supply voltage corresponds to the rated product voltage.
- ▶ The product must be installed by a qualified electrician in accordance with the National Electrical Code and corresponding local codes.
- ▶ If the product is damaged, do not use it.

### INSTALLATION STEPS:

1. Use template to cut an appropriate sized hole. Disconnect the fixture from the junction box.

2. Open Junction box. Connect the wires: Black to Black, White to White, Green to Green. Secure the connection with wire nuts. Choose needed color temperature by adjusting the switch. Close the junction box.

3. Insert the junction box into the cut hole, leaving the connection cable outside. Connect the fixture to the junction box inserting the cable and securing it with a cap. Push the spring loaded clips upwards and insert the fixture base into the mounting hole. Release the clips, so the fixture fits snugly.



\* The fixture is suitable for ceiling thickness of 10-25 mm.

### ⚠ WARNING

**RISK OF PERSONAL INJURY – READ and follow all WARNINGS and installation instructions.** Keep or give to the owner for future reference.

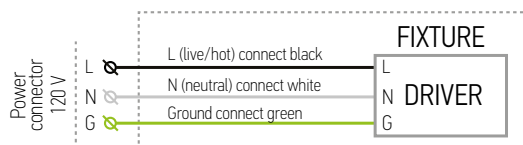
**Risk of cuts:** Wear gloves to prevent cuts or abrasions when removing from carton, handling, installing, and maintaining this product.

**Risk of electric shock:** This product must be installed in accordance with the applicable installation code by a person familiar with the construction and operation of the product and the hazards involved.

**Risk of Fire:** Minimum 194°F supply conductors. Consult a qualified electrician to ensure correct branch circuit conductor.

ASD® assumes no responsibility for claims arising out of improper or careless installation or handling of this product.

### ELECTRICAL SCHEMATIC DIAGRAM:

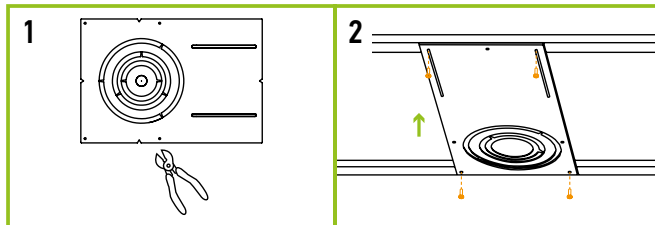


### MOUNTING PLATE INSTALLATION

ASD-MPLR-346-SC | ASD-MPLR-346-SC | ASD-MPLR-346-FA

sold separately:

1. Remove the metal ring from the mounting plate according to the size of fixture.
2. Place the mounting plate and secure its position with the screws on the beams.



## ORDERING INFORMATION

Model	UPC	Pcs. in middle box	Middle box size	Middle box weight	GTIN 14 in middle box	Pcs. per carton	Carton size	Carton weight	GTIN 14 in carton
ASD-LMPJBR-3D6CC-WH	810050730754	-	-	-	-	12	13.2" x 8.9" x 6.3"	7.4 lb	30810050730755
ASD-LMPJBR-3D6CC-BZ	810050730761	6	12.8" x 4.5" x 5.9"	3.5 lb	10810050730768	12	13.4" x 9.6" x 6.7"	7.4 lb	20810050730765
ASD-LMPJBR-4D12CC-WH	810050730778	-	-	-	-	12	16.1" x 10.8" x 6.3"	10.9 lb	30810050730779
ASD-LMPJBR-4D12CC-BZ	810050730792	6	15.7" x 5.5" x 5.9"	5.2 lb	10810050730799	12	16.3" x 11.6" x 6.7"	10.9 lb	20810050730796
ASD-LMPJBR-4D12CC-BK	810050730785	-	-	-	-	12	16.1" x 10.8" x 6.3"	10.9 lb	30810050730786
ASD-LMPJBR-6D15CC-WH	810050730815	-	-	-	-	12	21.5" x 7.5" x 10.2"	14.7 lb	30810050730816
ASD-LMPJBR-6D15CC-BZ	810050730839	6	14.2" x 7.3" x 7.7"	7 lb	10810050730836	12	15.4" x 14.8" x 8.5"	14.7 lb	20810050730833
ASD-LMPJBR-6D15CC-BK	810050730822	-	-	-	-	12	21.5" x 7.5" x 10.2"	14.7 lb	30810050730823
ASD-LMPJBR-8D18CC-WH	810050730853	-	-	-	-	12	16.7" x 7.9" x 16.9"	17.7 lb	30810050730854
ASD-LMPJBR-8D18CC-BZ	810050730860	4	16.5" x 8.5" x 5.1"	5.6 lb	10810050730867	12	17.1" x 9.1" x 16.3"	17.7 lb	20810050730864
ASD-LMPJBR-12D24CC-WH	810050730877	-	-	-	-	4	12.8" x 11.8" x 12.8"	10.1 lb	10810050730874
ASD-LMPJBR-12D24CC-BZ	810050730884	-	-	-	-	4	12.8" x 11.8" x 12.8"	10.1 lb	10810050730881

### ACCESSORIES:

Model	Name	Weight	Dimensions	UPC
ASD-MPLR-346-SC	New construction mounting plate with round holes and sliding clips	1.1 lb	14-3/8" x 10-9/16" x 1-5/8"	810050731577
ASD-MPLR-346-FA	New construction flat mounting plate with an asymmetric round hole	0.9 lb	13-1/4" x 9-1/16"	810050733854
ASD-MPLR-346-FS	New construction flat mounting plate with a symmetric round hole	1 lb	26" x 8-1/4"	810050733878

Model	Pcs. in middle box	Middle box size	Middle box weight	GTIN 14 in middle box	Pcs. per carton	Carton size	Carton weight	GTIN 14 in carton
ASD-MPLR-346-SC	6	15" x 11.2" x 7.5"	7.7 lb	10810050731574	12	23.2" x 15.6" x 8.3"	17 lb	20810050731571
ASD-MPLR-346-FA	6	9.3" x 0.6" x 13.6"	5.6 lb	10810050733851	24	14.4" x 9.8" x 3.1"	22.5 lb	20810050733858
ASD-MPLR-346-FS	6	8.5" x 0.6" x 26.4"	6.1 lb	10810050733875	24	27.2" x 9.1" x 3.1"	25.2 lb	20810050733872

For most up-to-date spec sheets please refer to [asd-lighting.com](http://asd-lighting.com)