



# LED Area light

Premium Series

ASD LED Area Lights are highly efficient using up to 80% less electricity than metal halide or high pressure sodium units. These are ideal for both retrofits and new construction. Twist lock photocells can be incorporated to reduce yearly energy consumption. The optional motion sensor can also be installed in this fixture. Our assortment of brackets allow the user to mount directly to preexisting poles or bullhorns but also to walls and roofs. The Type III distribution delivers broad lighting coverage ideal for parking lots and sports fields. ASD Clear Lens Type IV-M and Type V-M may also be an alternative. We also offer High Voltage models that can operate at 528 volts.

Catalog number	
Notes	
Type	

## FEATURES AND BENEFITS:

- ▶ Easy to install, wire and mount
- ▶ Optional photocell and motion sensor
- ▶ Beam angle: Type III-M
- ▶ Optional lenses allowing Type IV-M and Type V-M light distribution patterns are available
- ▶ LSB1- 3 ft cord
- ▶ Lightweight die-cast aluminum housing
- ▶ Operating temperature of -40°F to 122°F
- ▶ Wet location IP66
- ▶ L-70 Life > 250,000 hrs
- ▶ cULus certified
- ▶ 5 Year warranty



## ORDERING MATRIX:

Family	Modification	Photocell	Voltage	Watts	Dimmable	CCT	Motion Sensor	Series
ASD-LSB	1	X	XX	XX	X	50	MS	PRM
LED Area light		Blank = No photocell P = Photocell	Blank = 100-277V HV = 180-528V	100 = 100 W; 150 = 150 W 185 = 185 W; 240 = 240 W 300 = 300 W; 400 = 400 W	D = 1-10 V	5,000 K	Blank = No motion sensor MS = Motion sensor	Premium

## LED AREA LIGHT:

Model	Watts	Voltage	Dimmable	CCT	Lumens	Dimensions (LxWxH)	Cord
ASD-LSB1-100D50-PRM	100	120-277V	Yes	5,000 K	13,147 lm	12 3/4" x 12 5/8" x 3 1/4"	3 ft
ASD-LSB1-150D50-PRM	150	120-277V	Yes	5,000 K	20,130 lm	12 3/4" x 12 5/8" x 3 1/4"	3 ft
ASD-LSB1-185D50-PRM	185	120-277V	Yes	5,000 K	23,653 lm	12 3/4" x 12 5/8" x 3 1/4"	3 ft
ASD-LSB1-240D50-PRM	240	120-277V	Yes	5,000 K	31,736 lm	21" x 12 2/3" x 4"	3 ft
ASD-LSB1-300D50-PRM	300	120-277V	Yes	5,000 K	39,756 lm	21" x 12 2/3" x 4"	3 ft
ASD-LSB1-400D50-PRM	400	120-277V	Yes	5,000 K	52,689 lm	21" x 12 2/3" x 4"	3 ft
ASD-LSB1HV-100D50-PRM	100	180-528V	Yes	5,000 K	13,147 lm	12 3/4" x 12 5/8" x 3 1/4"	3 ft
ASD-LSB1HV-150D50-PRM	150	180-528V	Yes	5,000 K	20,130 lm	12 3/4" x 12 5/8" x 3 1/4"	3 ft
ASD-LSB1HV-185D50-PRM	185	180-528V	Yes	5,000 K	23,653 lm	12 3/4" x 12 5/8" x 3 1/4"	3 ft
ASD-LSB1HV-240D50-PRM	240	180-528V	Yes	5,000 K	33,479 lm	21" x 12 5/8" x 4"	3 ft
ASD-LSB1HV-300D50-PRM	300	180-528V	Yes	5,000 K	39,756 lm	21" x 12 5/8" x 4"	3 ft
ASD-LSB1HV-400D50-PRM	400	180-528V	Yes	5,000 K	52,689 lm	21" x 12 5/8" x 4"	3 ft
ASD-LSB1P-100D50-MS-PRM	100	120-277V	Yes	5,000 K	13,147 lm	12 3/4" x 12 5/8" x 7 3/4"	3 ft
ASD-LSB1P-150D50-MS-PRM	150	120-277V	Yes	5,000 K	20,130 lm	12 3/4" x 12 5/8" x 7 3/4"	3 ft
ASD-LSB1P-185D50-MS-PRM	185	120-277V	Yes	5,000 K	23,653 lm	12 3/4" x 12 5/8" x 7 3/4"	3 ft
ASD-LSB1P-240D50-MS-PRM	240	120-277V	Yes	5,000 K	31,736 lm	21" x 12 5/8" x 8 1/4"	3 ft
ASD-LSB1P-300D50-MS-PRM	300	120-277V	Yes	5,000 K	39,756 lm	21" x 12 5/8" x 8 1/4"	3 ft



# LED Area light

Premium Series

## PRODUCT SPECIFICATIONS:

Construction & Materials						
Lens	Polycarbonate					
Reflector	Die-Casting Aluminum					
Housing	Die-Casting Aluminum					
Finish	Bronze					
Weight	ASD-LSB1-100D50-PRM	17.45 lbs (7.91 kg)	ASD-LSB1HV-100D50-PRM	19.78 lbs (8.97 kg)	ASD-LSB1P-100D50-MS-PRM	18.88 lbs (8.56 kg)
	ASD-LSB1-150D50-PRM	18.03 lbs (8.18 kg)	ASD-LSB1HV-150D50-PRM	20.66 lbs (9.37 kg)	ASD-LSB1P-150D50-MS-PRM	19.44 lbs (8.82 kg)
	ASD-LSB1-185D50-PRM	19.25 lbs (8.73 kg)	ASD-LSB1HV-185D50-PRM	21 lbs (9.52 kg)	ASD-LSB1P-185D50-MS-PRM	20.68 lbs (9.38 kg)
	ASD-LSB1-240D50-PRM	30.91 lbs (14.02 kg)	ASD-LSB1HV-240D50-PRM	33.83 lbs (15.34 kg)	ASD-LSB1P-240D50-MS-PRM	31.86 lbs (14.45 kg)
	ASD-LSB1-300D50-PRM		ASD-LSB1HV-300D50-PRM		ASD-LSB1P-300D50-MS-PRM	32.37 lbs (14.68 kg)
	ASD-LSB1-400D50-PRM		ASD-LSB1HV-400D50-PRM			
Environmental System						
Work Environment	Suitable for Wet Locations, IP66					
Operating Temperature	-40°F to 122°F (-40°C to 50°C)					
L-70 Life	> 250,000 hrs					
Optical System						
Luminous Flux	ASD-LSB1-100D50-PRM	13,147 lm	ASD-LSB1HV-100D50-PRM	13,147 lm	ASD-LSB1P-100D50-MS-PRM	13,147 lm
	ASD-LSB1-150D50-PRM	20,130 lm	ASD-LSB1HV-150D50-PRM	20,130 lm	ASD-LSB1P-150D50-MS-PRM	20,130 lm
	ASD-LSB1-185D50-PRM	23,653 lm	ASD-LSB1HV-185D50-PRM	23,653 lm	ASD-LSB1P-185D50-MS-PRM	23,653 lm
	ASD-LSB1-240D50-PRM	31,736 lm	ASD-LSB1HV-240D50-PRM	33,479 lm	ASD-LSB1P-240D50-MS-PRM	31,736 lm
	ASD-LSB1-300D50-PRM	39,756 lm	ASD-LSB1HV-300D50-PRM	39,756 lm	ASD-LSB1P-300D50-MS-PRM	39,756 lm
	ASD-LSB1-400D50-PRM	52,689 lm	ASD-LSB1HV-400D50-PRM	52,689 lm		
Color Temperature	5,000 K					
CRI	>80					
Electrical System						
Input Voltage	Regular Voltage 120-277V AC 50/60 Hz			High Voltage 180-528V AC 50/60 Hz		
Max input current	ASD-LSB1-100D50-PRM	1.4 A	ASD-LSB1HV-100D50-PRM	0.55 A	ASD-LSB1P-100D50-MS-PRM	1.4 A
	ASD-LSB1-150D50-PRM	2.0 A	ASD-LSB1HV-150D50-PRM	0.88 A	ASD-LSB1P-150D50-MS-PRM	2.0 A
	ASD-LSB1-185D50-PRM	2.4 A	ASD-LSB1HV-185D50-PRM	1.4 A	ASD-LSB1P-185D50-MS-PRM	2.4 A
	ASD-LSB1-240D50-PRM	3.2 A	ASD-LSB1HV-240D50-PRM	1.4 A	ASD-LSB1P-240D50-MS-PRM	3.2 A
	ASD-LSB1-300D50-PRM	4.0 A	ASD-LSB1HV-300D50-PRM	1.85 A	ASD-LSB1P-300D50-MS-PRM	4.0 A
	ASD-LSB1-400D50-PRM		ASD-LSB1HV-400D50-PRM			
Inrush current	ASD-LSB1-100D50-PRM	60 A	ASD-LSB1HV-100D50-PRM	25 A	ASD-LSB1P-100D50-MS-PRM	60 A
	ASD-LSB1-150D50-PRM		ASD-LSB1HV-150D50-PRM	35 A	ASD-LSB1P-150D50-MS-PRM	
	ASD-LSB1-185D50-PRM	80 A	ASD-LSB1HV-185D50-PRM	50 A	ASD-LSB1P-185D50-MS-PRM	80 A
	ASD-LSB1-240D50-PRM		ASD-LSB1HV-240D50-PRM		ASD-LSB1P-240D50-MS-PRM	
	ASD-LSB1-300D50-PRM	120 A	ASD-LSB1HV-300D50-PRM	50 A	ASD-LSB1P-300D50-MS-PRM	120 A
	ASD-LSB1-400D50-PRM		ASD-LSB1HV-400D50-PRM			
Action time (Inrush current)	ASD-LSB1-100D50-PRM	0.45 s	ASD-LSB1HV-100D50-PRM	0.9 s	ASD-LSB1P-100D50-MS-PRM	0.45 s
	ASD-LSB1-150D50-PRM	<1 s	ASD-LSB1HV-150D50-PRM	0.79 s	ASD-LSB1P-150D50-MS-PRM	<1 s
	ASD-LSB1-185D50-PRM	0.43 s	ASD-LSB1HV-185D50-PRM	0.53 s	ASD-LSB1P-185D50-MS-PRM	0.43 s
	ASD-LSB1-240D50-PRM	0.5 s	ASD-LSB1HV-240D50-PRM		ASD-LSB1P-240D50-MS-PRM	0.5 s
	ASD-LSB1-300D50-PRM	<1 s	ASD-LSB1HV-300D50-PRM	0.85 s	ASD-LSB1P-300D50-MS-PRM	<1 s
	ASD-LSB1-400D50-PRM		ASD-LSB1HV-400D50-PRM			
AC input range	AC input range Regular Voltage min 90 V max 305 V			AC input range High Voltage min 180 V max 528 V		
Off State Power	0 W					
Power Consumption	ASD-LSB1-100D50-PRM	100 W	ASD-LSB1HV-100D50-PRM	100 W	ASD-LSB1P-100D50-MS-PRM	100 W
	ASD-LSB1-150D50-PRM	150 W	ASD-LSB1HV-150D50-PRM	150 W	ASD-LSB1P-150D50-MS-PRM	150 W
	ASD-LSB1-185D50-PRM	185 W	ASD-LSB1HV-185D50-PRM	185 W	ASD-LSB1P-185D50-MS-PRM	185 W
	ASD-LSB1-240D50-PRM	240 W	ASD-LSB1HV-240D50-PRM	240 W	ASD-LSB1P-240D50-MS-PRM	240 W
	ASD-LSB1-300D50-PRM	300 W	ASD-LSB1HV-300D50-PRM	300 W	ASD-LSB1P-300D50-MS-PRM	300 W
	ASD-LSB1-400D50-PRM	400 W	ASD-LSB1HV-400D50-PRM	400 W	ASD-LSB1P-300D50-MS-PRM	300 W
Power Factor	≥ 0.99					
Output voltage	ASD-LSB1-100D50-PRM	32-58 V	ASD-LSB1HV-100D50-PRM	24-48 V	ASD-LSB1P-100D50-MS-PRM	32-58 V
	ASD-LSB1-150D50-PRM		ASD-LSB1HV-150D50-PRM		ASD-LSB1P-150D50-MS-PRM	
	ASD-LSB1-185D50-PRM		ASD-LSB1HV-185D50-PRM		ASD-LSB1P-185D50-MS-PRM	
	ASD-LSB1-240D50-PRM		ASD-LSB1HV-240D50-PRM		ASD-LSB1P-240D50-MS-PRM	
	ASD-LSB1-300D50-PRM		ASD-LSB1HV-300D50-PRM		ASD-LSB1P-300D50-MS-PRM	
	ASD-LSB1-400D50-PRM		ASD-LSB1HV-400D50-PRM			
Max output current	ASD-LSB1-100D50-PRM	1.65 A	ASD-LSB1HV-100D50-PRM	2.0 A	ASD-LSB1P-100D50-MS-PRM	1.65 A
	ASD-LSB1-150D50-PRM	2.6 A	ASD-LSB1HV-150D50-PRM	3.13 A	ASD-LSB1P-150D50-MS-PRM	2.6 A
	ASD-LSB1-185D50-PRM	3.45 A	ASD-LSB1HV-185D50-PRM	5.0 A	ASD-LSB1P-185D50-MS-PRM	3.45 A
	ASD-LSB1-240D50-PRM	4.45 A	ASD-LSB1HV-240D50-PRM		ASD-LSB1P-240D50-MS-PRM	4.45 A
	ASD-LSB1-300D50-PRM	5.2 A	ASD-LSB1HV-300D50-PRM	6.7A	ASD-LSB1P-300D50-MS-PRM	5.2 A
	ASD-LSB1-400D50-PRM		ASD-LSB1HV-400D50-PRM			
LED Driver Class	Class I					
Warranty & Certifications						
5-year limited warranty						
cULus certified		E473804				

The LED Area light is designed to install as a surface mounted luminaire.

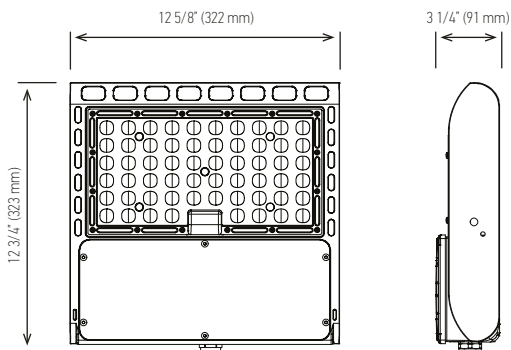


# LED Area light

Premium Series

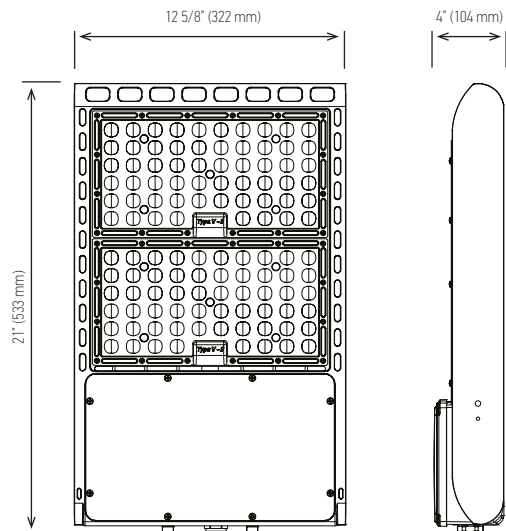
ASD-LSB1-100D50-PRM  
 ASD-LSB1-150D50-PRM  
 ASD-LSB1-185D50-PRM

ASD-LSB1HV-100D50-PRM  
 ASD-LSB1HV-150D50-PRM  
 ASD-LSB1HV-185D50-PRM

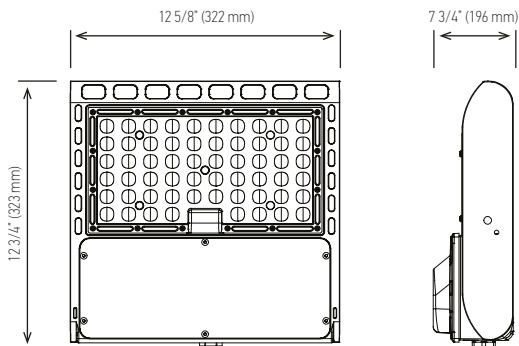


ASD-LSB1-240D50-PRM  
 ASD-LSB1-300D50-PRM  
 ASD-LSB1-400D50-PRM

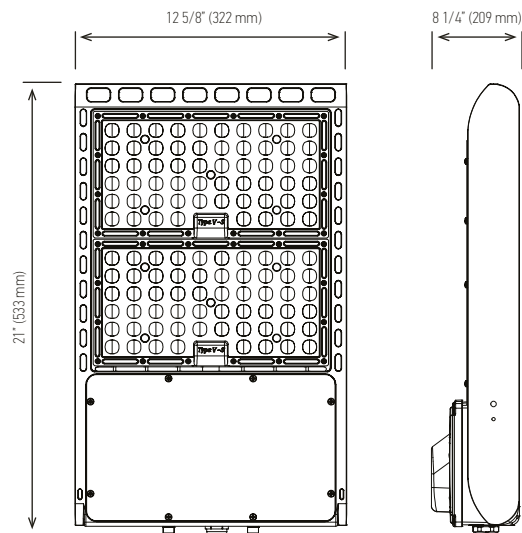
ASD-LSB1HV-240D50-PRM  
 ASD-LSB1HV-300D50-PRM  
 ASD-LSB1HV-400D50-PRM









ASD-LSB1P-100D50-MS-PRM  
 ASD-LSB1P-150D50-MS-PRM  
 ASD-LSB1P-185D50-MS-PRM



ASD-LSB1P-240D50-MS-PRM  
 ASD-LSB1P-300D50-MS-PRM



## EFFECTIVE PROJECTED AREA (EPA) RATINGS:

Effective Projected Area (EPA) Ratings			
	Fixtures qty	EPA of 100-185W	EPA of 240W-400W
	Single	0.46	0.67
	2x180	0.92	1.34
	2x90	0.76	1.02
	3x90	1.22	1.69
	3x120	1.22	1.69
	4x90	1.22	1.69

## PACKAGE CONTENTS:

Description	Q-ty
LED Area Light Fixture	1
Box	1
Installation Instructions	3

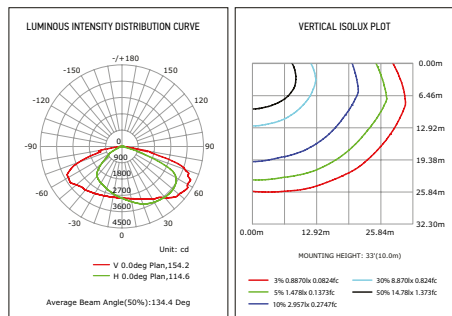


# LED Area light

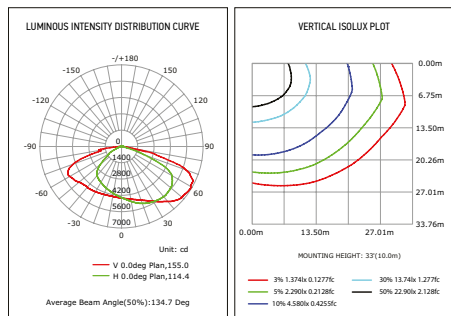
## Premium Series

### Regular Voltage

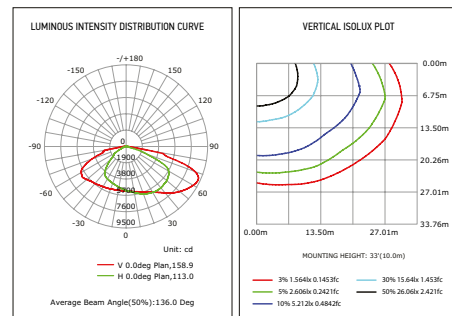
#### 100 W



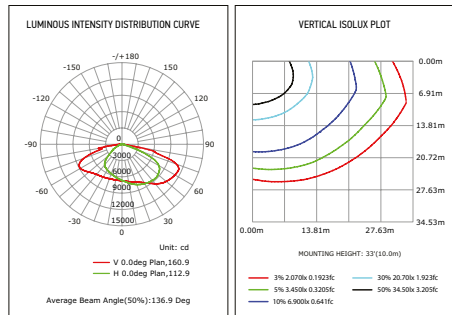
#### 150 W



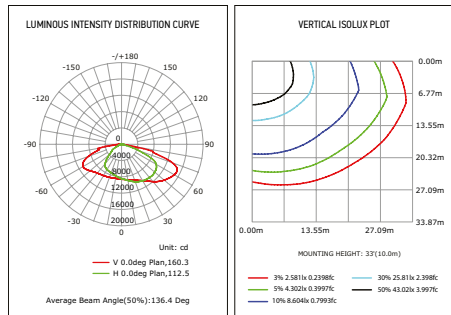
#### 185 W



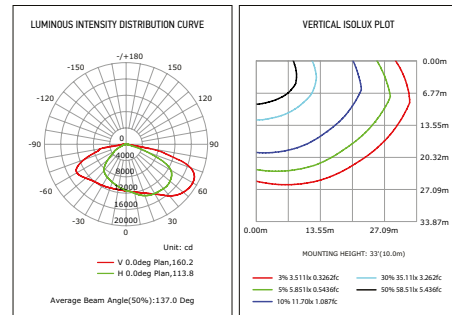
#### 240 W



#### 300 W

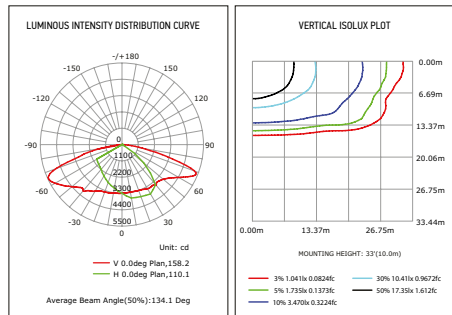


#### 400 W

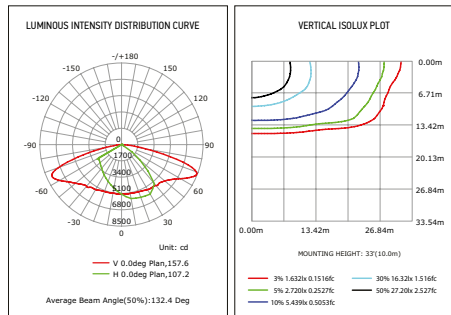


### High Voltage

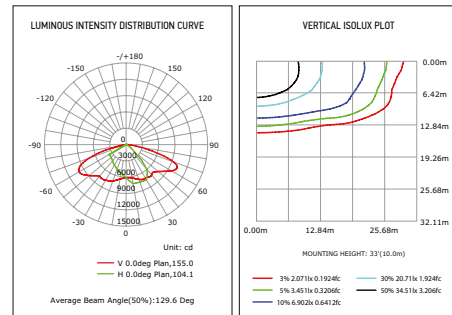
#### 100 W



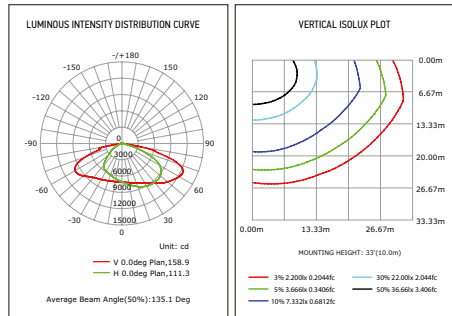
#### 150 W



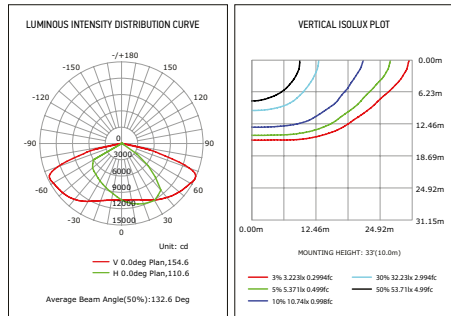
#### 185 W



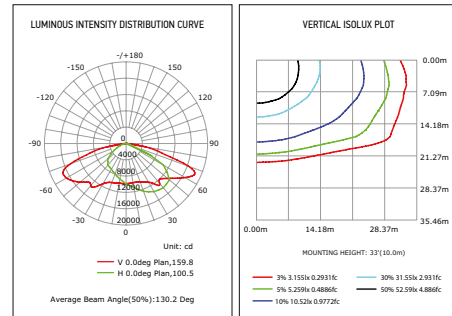
#### 240 W



#### 300 W



#### 400 W







# LED Area light

Premium Series

## ⚠ WARNING

**RISK OF PERSONAL INJURY – READ and follow all WARNINGS and installation instructions.**

Keep or give to the owner for future reference.

**Risk of cuts:** Wear gloves to prevent cuts or abrasions when removing from carton, handling, installing, and maintaining this product.

**Risk of electric shock:** This product must be installed in accordance with the applicable installation code by a person familiar with the construction and operation of the product and the hazards involved.

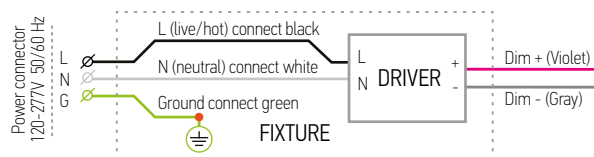
**Risk of Fire:** Minimum 194°F supply conductors. Consult a qualified electrician to ensure correct branch circuit conductor.

ASD® assumes no responsibility for claims arising out of improper or careless installation or handling of this product.

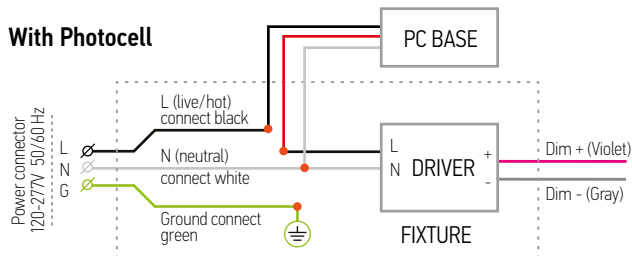
## ELECTRICAL SCHEMATIC DIAGRAM:

### REGULAR VOLTAGE

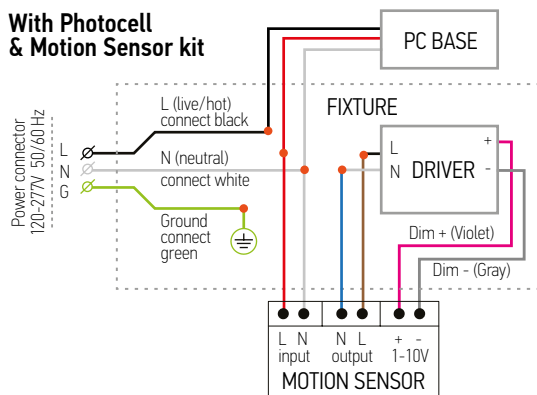
ASD-LSB1-300D50-PRM  
ASD-LSB1-400D50-PRM  
ASD-LSB1P-300D50-MS-PRM



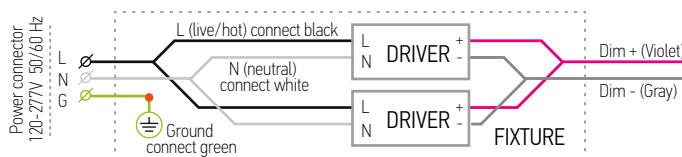
#### With Photocell



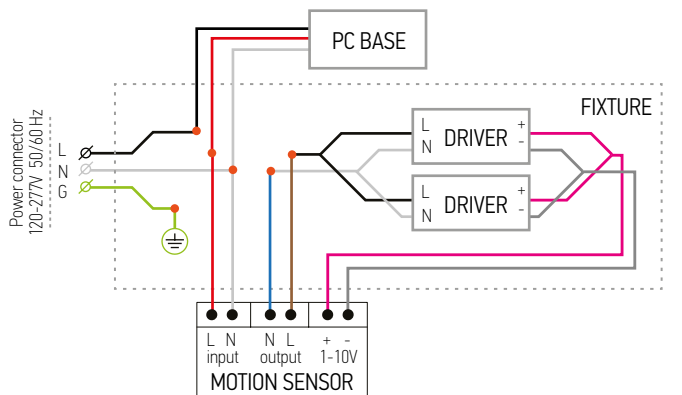
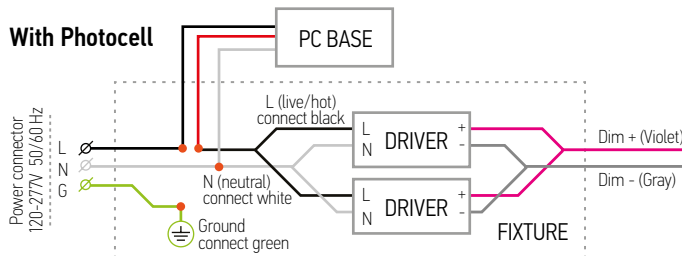
#### With Photocell & Motion Sensor kit



ASD-LSB1-100D50-PRM  
ASD-LSB1-150D50-PRM  
ASD-LSB1-185D50-PRM  
ASD-LSB1-240D50-PRM  
ASD-LSB1P-100D50-MS-PRM  
ASD-LSB1P-150D50-MS-PRM  
ASD-LSB1P-185D50-MS-PRM  
ASD-LSB1P-240D50-MS-PRM

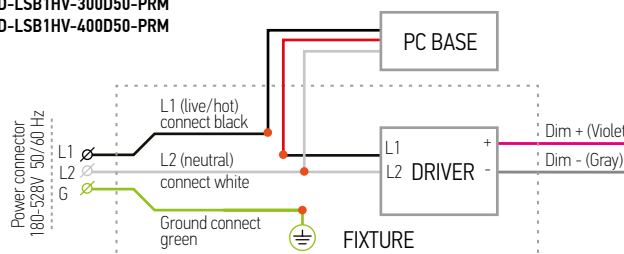
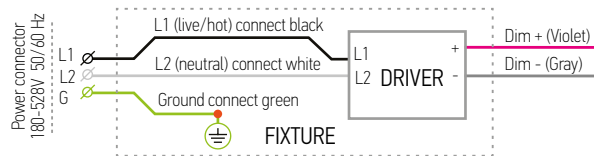


#### With Photocell



### HIGH VOLTAGE

ASD-LSB1HV-100D50-PRM  
ASD-LSB1HV-150D50-PRM  
ASD-LSB1HV-185D50-PRM  
ASD-LSB1HV-240D50-PRM  
ASD-LSB1HV-300D50-PRM  
ASD-LSB1HV-400D50-PRM

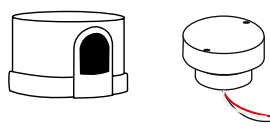
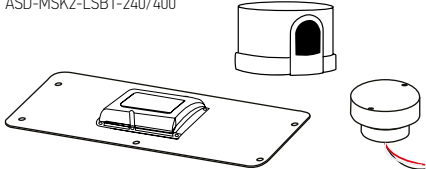
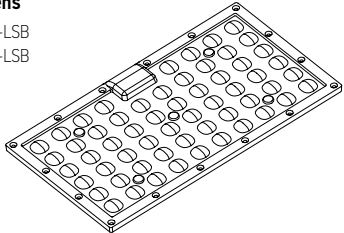
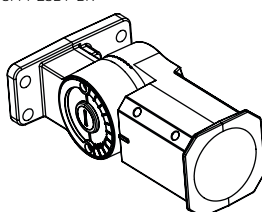
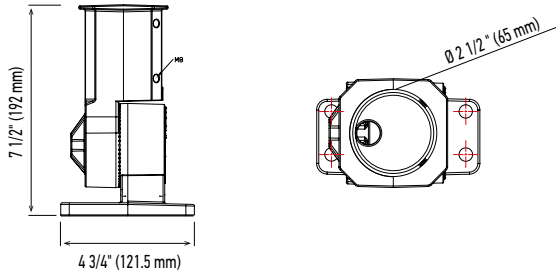
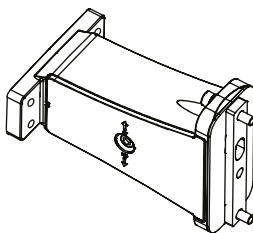
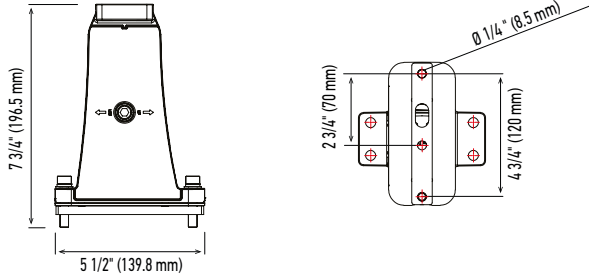
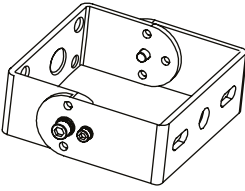
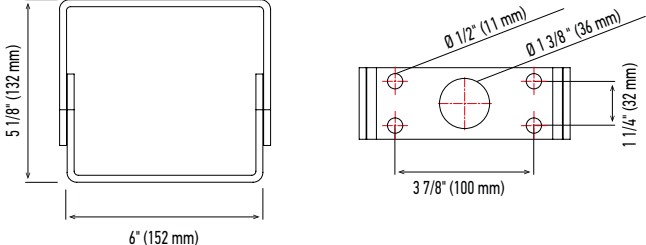
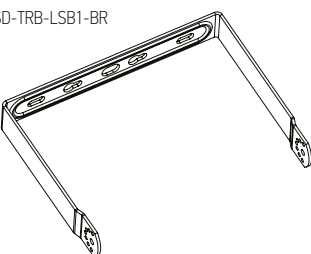
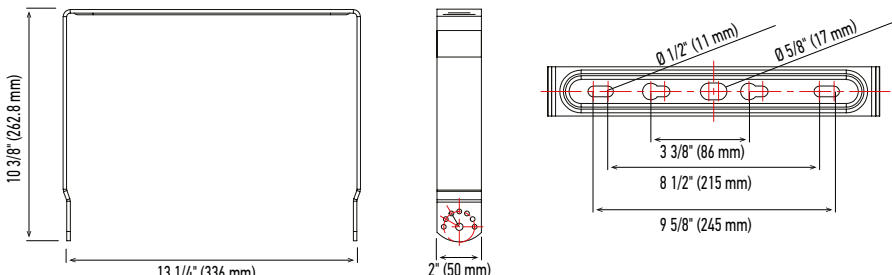




# LED Area light

Premium Series

## ACCESSORIES:

<p><b>Photocell + Base</b> ASD-PC-LSB ASD-PC-LSBHV</p> 	<p><b>Motion Sensor &amp; Photocell Kit</b> ASD-MSK1-LSB1-100/185 ASD-MSK2-LSB1-240/400</p> 	<p><b>Clear Lens</b> ASD-L4M-LSB ASD-L5M-LSB</p> 
<p><b>Slip Fitter Bracket</b> ASD-SFM-LSB1-BR</p> 	 <p>7 1/2" (192 mm) 4 3/4" (121.5 mm) Ø 2 1/2" (65 mm)</p>	
<p><b>Arm Mount Bracket</b> ASD-AMB-LSB1-BR</p> 	 <p>7 3/4" (196.5 mm) 5 1/2" (139.8 mm) Ø 1/4" (8.5 mm) 2 3/4" (70 mm) 4 3/4" (120 mm)</p>	
<p><b>Wall Mount Bracket</b> ASD-FLB-LSB1-BR</p> 	 <p>5 1/8" (132 mm) 6" (152 mm) Ø 1/2" (11 mm) Ø 1 3/8" (36 mm) 3 7/8" (100 mm) 1 1/4" (32 mm)</p>	
<p><b>Trunnion Mounting Bracket</b> ASD-TRB-LSB1-BR</p> 	 <p>10 3/8" (262.8 mm) 13 1/4" (336 mm) 2" (50 mm) Ø 1/2" (11 mm) Ø 5/8" (17 mm) 3 3/8" (86 mm) 8 1/2" (215 mm) 9 5/8" (245 mm)</p>	



# LED Area light

Premium Series

## INSTALLATION GUIDE

### IMPORTANT SAFETY INFORMATION:

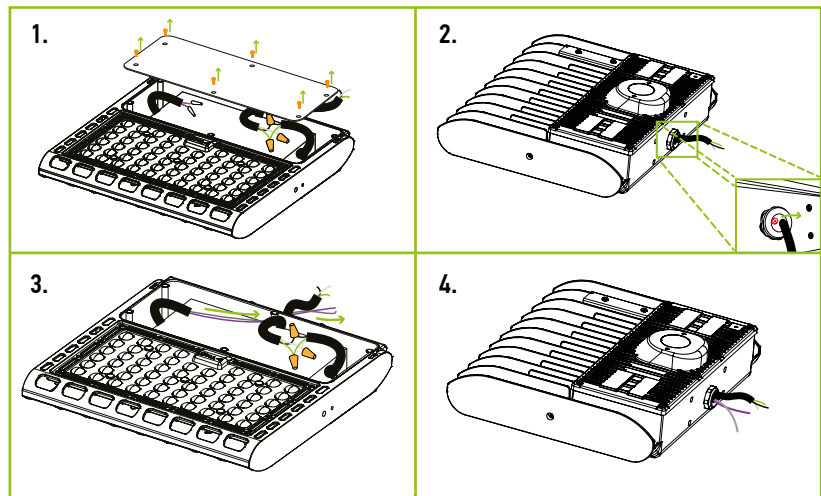
**Please read all the instructions below before installation.**

- ▶ Make sure that the supply voltage corresponds to the rated product voltage.
- ▶ The product must be installed by a qualified electrician in accordance with the National Electrical Code and corresponding local codes.
- ▶ If the product is damaged, do not use it.

## INSTALLATION STEPS

### DIMMER WIRE

1. Disconnect the power before installation. Open the driver box plate of the fixture using a screwdriver.
2. Loosen the SJ cord connector, remove the translucent plug and pass the low voltage wires through the connector.
3. Tighten the SJ cord connector. Use wire nuts to connect low voltage dimming wires.
4. Reattach the driver box plate.



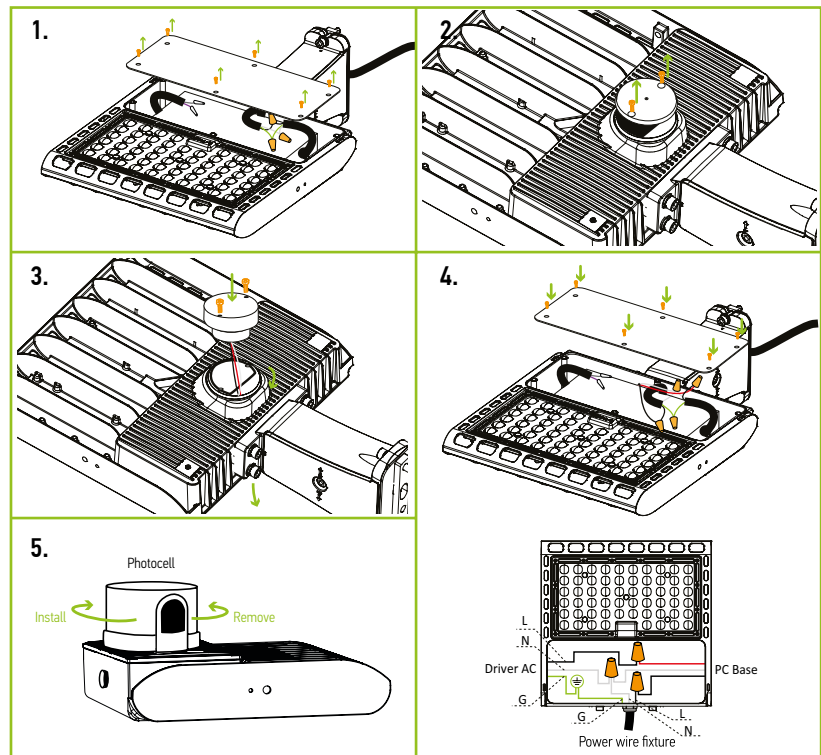
### PHOTOCELL & BASE

### INSTALLATION

**ASD-PC-LSB1, ASD-PC-LSB1HV:**

For models without built-in photocell sensor

1. Disconnect the power before installation. Use a screwdriver to open the driver box plate.
2. Use a screwdriver to open the lid on the top of the fixture.
3. Place the photocell base on the top of the fixture, attach it with the provided screws. Pull the wires through to the driver box.
4. Reattach the driver box plate.
5. Firmly place the photocell into the receptacle base and twist it clockwise until it locks into place.





# LED Area light

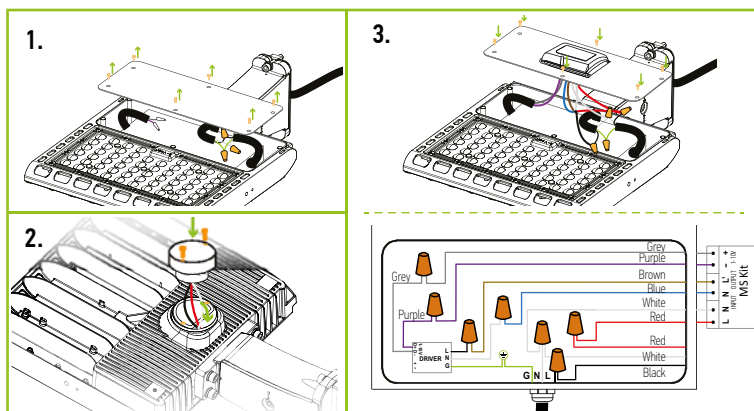
Premium Series

## MOTION SENSOR INSTALLATION ASD-MSK1-LSB1-100/185, ASD-MSK2-LSB1-240/400:

### For models without built-in Motion sensor

1. Power off before installation. Remove the originally driver box cover and lid on the back side of LSB1.
2. Pass through photocell (Sold separated: ASD-PC-LSB1) base wires inside the driver box, fix photocell base on the back side of LSB1 by screws.
3. Connect the MSK wires with driver and photocell wires according to the wiring diagram with corresponding colors. Fix the MSK and install photocell (JL-205C) Installation finished.

Open the plastic box on MSK by loose the 6-pcs screw to set the DIP switch if necessary.



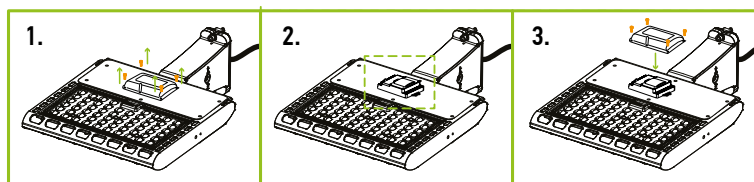
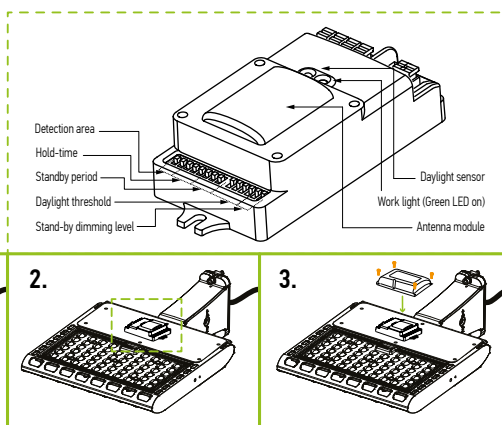
## PHOTOCELL AND MOTION SENSOR REPLACEMENT INSTRUCTION:

### For models with built-in Photocell and Motion sensor

Motion Sensor and Photocell options are pre-installed in ASD-LSB1-MS series area lights. It can be used directly after twist lock the photocell in a base.

### To change the Motion Sensor settings:

1. Unscrew 4 screws and remove the sensor cover.
2. Do DIP to get desired setting.
3. Close the sensor with the cover and tighten the screws.



### Sensor Settings:

Use the following DIP switch settings to set dimming levels, hold times, standby periods, detection area and daylight sensor mode. By selecting the combination switches to reach the desired sensor settings. Each switch will indicate ON when moved UP.

#### Detection Area

Set detection radius of the sensor.

ON ↑	I	1	2	
	II	ON	ON	100%
	III	-	ON	75%
	IV	-	-	50%

#### Daylight Sensor

The sensor can be set to allow for illumination at a desired brightness. When set to disable mode, the daylight sensor will turn on the light when there is motion regardless of the ambient light level 100 lux, 50 lux: for darkness operation only.

ON ↑	I	1	2	3	4	
	II	-	-	ON	ON	2lux
	III	-	-	-	ON	5lux
	IV	-	-	ON	-	10lux
	V	-	ON	-	-	25lux
	VI	ON	-	-	-	50lux
	VII	-	-	-	-	100lux

#### Hold Time

Refers to the time the lamp remains at 100% after no further motion is detected.

ON ↑	I	3	4	5	
	II	ON	ON	ON	5s
	III	-	ON	ON	30s
	IV	ON	-	ON	90s
	V	-	-	ON	3min
	VI	ON	ON	-	20min

#### Stand by Dimming Period

This is the low light level after the hold time in the long absence of motion.

ON ↑	I	5	6	
	II	ON	ON	50%
	III	-	ON	30%
	IV	ON	-	20%

#### Stand by Period

Refers to the time the light stays on at low light level before it shuts completely off in the long absence of motion. Daylight sensor switch must be enabled.

ON ↑	I	6	7	8	
	II	ON	ON	ON	0S
	III	-	ON	ON	5S
	IV	ON	-	ON	5min
	V	-	-	ON	10min
	VI	ON	ON	-	30min
	VII	-	ON	-	1h

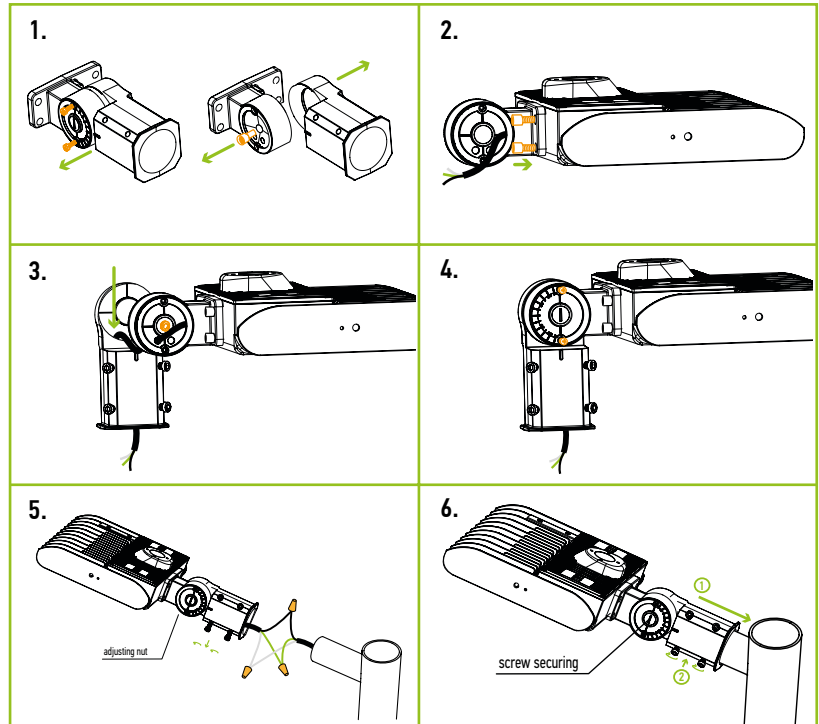


# LED Area light

Premium Series

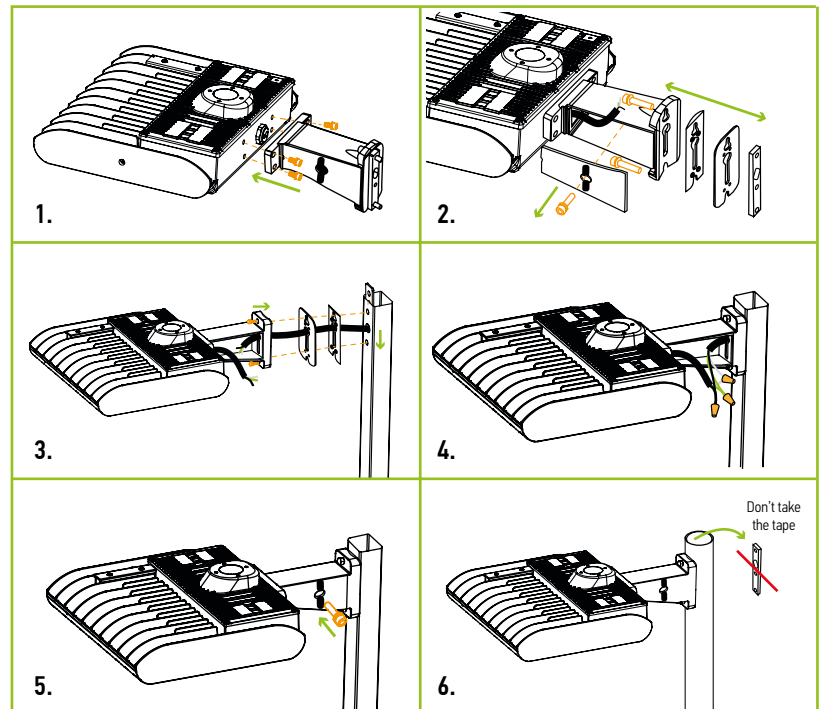
## SLIP FITTER BRACKET INSTALLATION ASD-SFM-LSB1-BR:

1. Remove 2 screws on the circular plate. Using a hex key remove the large internal screw to separate the SF.
2. Attach knuckle portion of the mount to the fixture with the 4 hex screws.
3. Attach the slip fitter portion of the mount using the large internal hex screw.
4. Reattach the circular plate with the 2 screws.
5. Complete and secure the wiring.
6. Secure SF to pole.



## ARM MOUNT BRACKET ASD-AMB-LSB1-BR INSTALLATION:

1. Drill holes on the square pole corresponding to the holes on the arm. Install mounting arm: pass the AC wire through the base and tighten the 4pcs screws on the light body.
2. Loosen the screw on the lamp arm and remove the terminal box cover.
3. Use the bolt and nut plate to fix the fixture on pole tightly.
4. Complete wiring (correspond to wire N, L and G).
5. Tighten the water-proof gasket and cover plate on the arm by screws.
6. Remove one rubber ring to install it on round pole( If necessary).





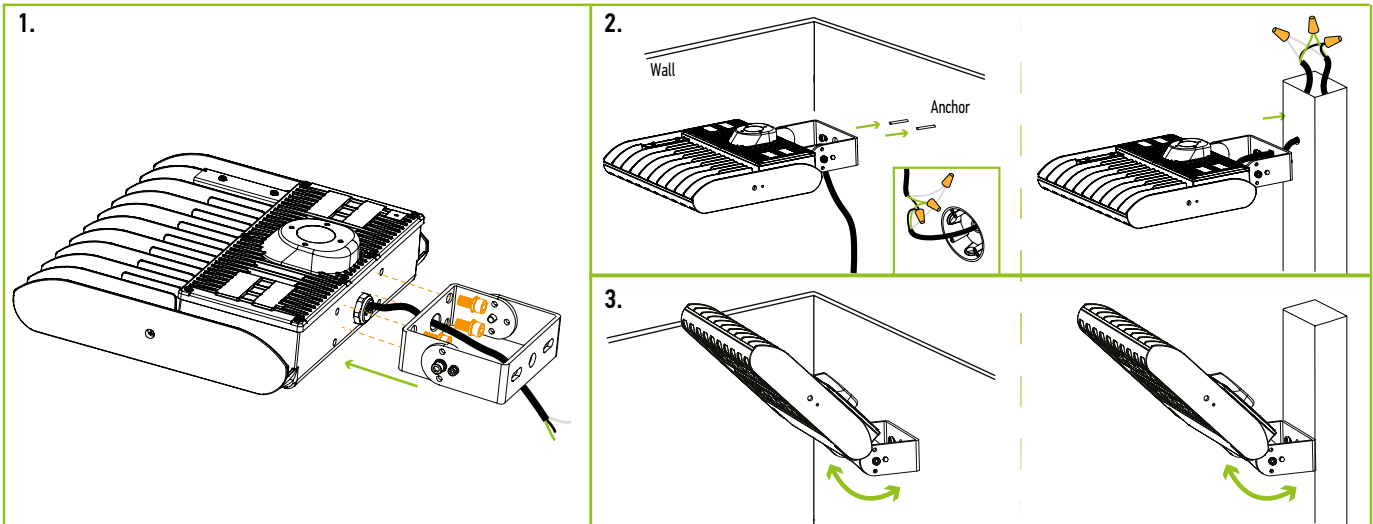


# LED Area light

Premium Series

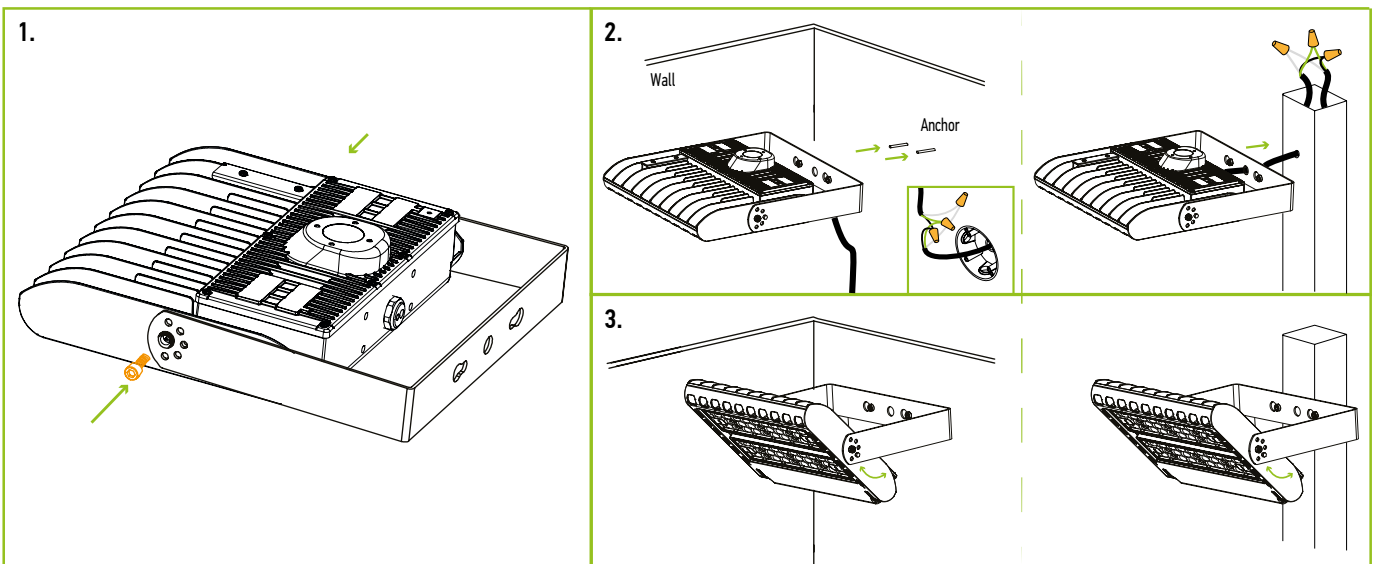
## WALL MOUNTING BRACKET ASD-FLB-LSB1-BR INSTALLATION:

1. Drill holes on the wall corresponding to the holes on the arm. Bring the wiring through the hole on the bracket. Tighten the 4 screws on the fixture to secure it to the bracket.
2. Anchor fixture to the surface, complete the wiring.
3. Adjust beam angle by loosening pivot screw on the bracket.



## TRUNNION MOUNTING BRACKET ASD-TRB-LSB1-BR INSTALLATION:

1. Drill holes on the wall corresponding to the holes on the arm. Bring the wiring through the hole on the bracket. Tighten the 4 screws on the fixture to secure it to the bracket.
2. Anchor fixture to the surface, complete the wiring.
3. Adjust beam angle by loosening pivot screw on the bracket.

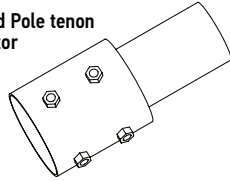
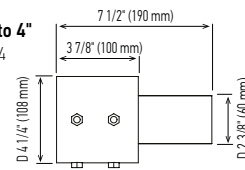
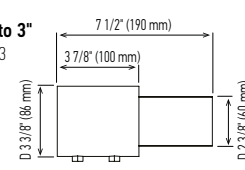
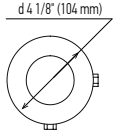
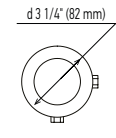
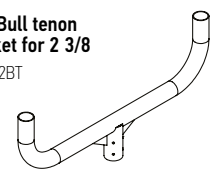
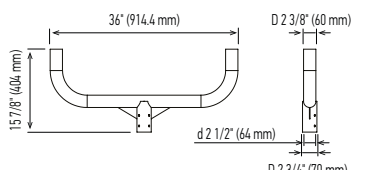
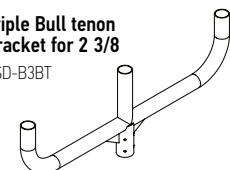
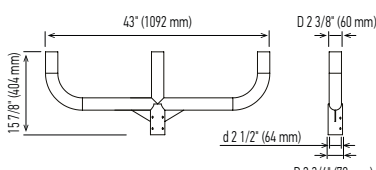
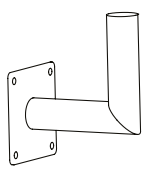
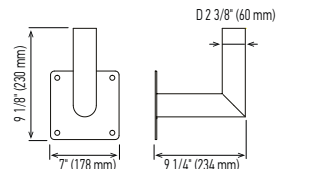
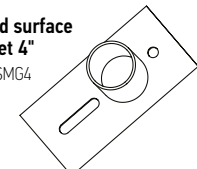
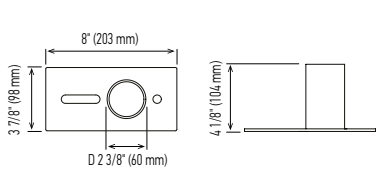
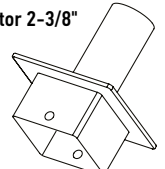
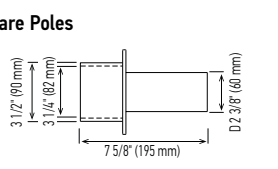
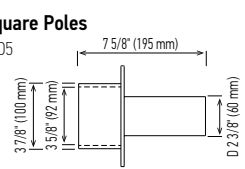
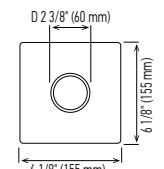
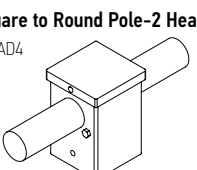
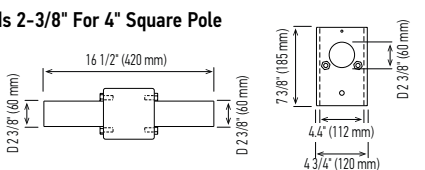
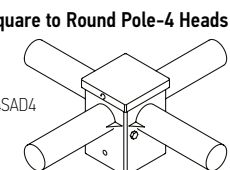
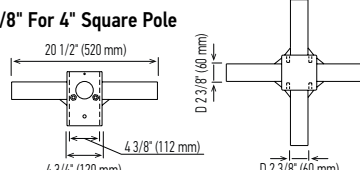




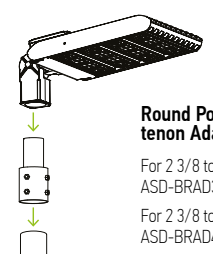
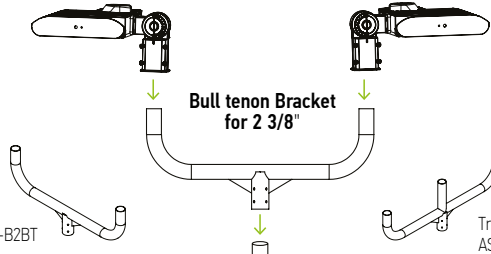
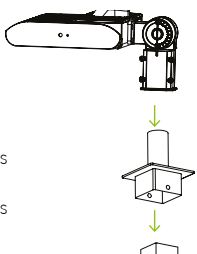
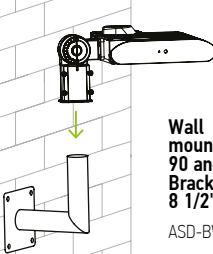
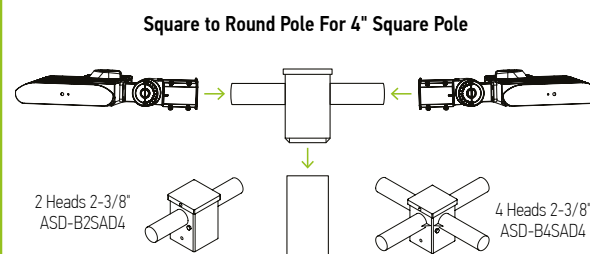
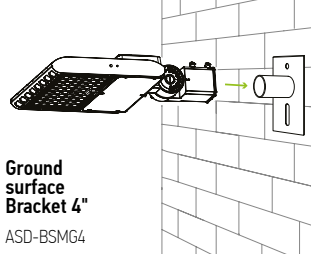
# LED Area light

Premium Series

## SLIP FITTER BRACKET ADAPTORS FOR POLE MOUNT:

<p><b>Round Pole tenon Adaptor</b></p> 	<p><b>for 2 3/8 to 4" ASD-BRAD4</b></p> 	<p><b>for 2 3/8 to 3" ASD-BRAD3</b></p> 	 
<p><b>Dual Bull tenon Bracket for 2 3/8 ASD-B2BT</b></p> 		<p><b>Triple Bull tenon Bracket for 2 3/8 ASD-B3BT</b></p> 	
<p><b>Wall mount 90 angle Bracket 8 1/2"x8" ASD-BWM90</b></p> 		<p><b>Ground surface Bracket 4" ASD-BSMG4</b></p> 	
<p><b>Tenon Adaptor 2-3/8" For Square Poles ASD-BSAD4</b></p> 	<p><b>for 4" Square Poles ASD-BSAD4</b></p> 	<p><b>for 5" Square Poles ASD-BSAD5</b></p> 	
<p><b>Square to Round Pole-2 Heads 2-3/8" For 4" Square Pole B2SAD4</b></p> 		<p><b>Square to Round Pole-4 Heads 2-3/8" For 4" Square Pole B4SAD4</b></p> 	

## SLIP FITTER BRACKET ADAPTORS FOR POLE MOUNT INSTALLATION:

 <p><b>Round Pole tenon Adaptor</b> For 2 3/8 to 3" ASD-BRAD3 For 2 3/8 to 4" ASD-BRAD4</p>	 <p><b>Bull tenon Bracket for 2 3/8"</b></p> <p>Dual ASD-B2BT</p> <p>Triple ASD-B3BT</p>	 <p><b>Tenon Adaptor 2-3/8"</b> For 4" Square Poles ASD-BSAD4 For 5" Square Poles ASD-BSAD5</p>
 <p><b>Wall mount 90 angle Bracket 8 1/2"x8" ASD-BWM90</b></p>	<p><b>Square to Round Pole For 4" Square Pole</b></p>  <p>2 Heads 2-3/8" ASD-B2SAD4</p> <p>4 Heads 2-3/8" ASD-B4SAD4</p>	 <p><b>Ground surface Bracket 4" ASD-BSMG4</b></p>



# LED Area light

Premium Series

## ORDERING INFORMATION

### LED AREA LIGHT:

Model	Watts	CCT	UPC	Pcs in one Carton	Carton Size	Carton Weight
ASD-LSB1-100D50-PRM	100	5,000 K	819201023639	1	14.57" x 14.17" x 5.91"	9.28 lbs
ASD-LSB1-150D50-PRM	150	5,000 K	819201023653	1	14.57" x 14.17" x 5.91"	9.55 lbs
ASD-LSB1-185D50-PRM	185	5,000 K	819201023677	1	14.57" x 14.17" x 5.91"	10.10 lbs
ASD-LSB1-240D50-PRM	240	5,000 K	819201024780	1	22.44" x 14.57" x 6.50"	15.76 lbs
ASD-LSB1-300D50-PRM	300	5,000 K	819201023691	1	22.44" x 14.57" x 6.50"	15.76 lbs
ASD-LSB1-400D50-PRM	400	5,000 K	819201023820	1	22.44" x 14.57" x 6.50"	15.76 lbs
ASD-LSB1HV-100D50-PRM	100	5,000 K	819201023707	1	14.57" x 14.17" x 5.91"	10.34 lbs
ASD-LSB1HV-150D50-PRM	150	5,000 K	819201023714	1	14.57" x 14.17" x 5.91"	10.74 lbs
ASD-LSB1HV-185D50-PRM	185	5,000 K	819201023608	1	14.57" x 14.17" x 5.91"	10.96 lbs
ASD-LSB1HV-240D50-PRM	240	5,000 K	819201024896	1	22.44" x 14.57" x 6.50"	17.09 lbs
ASD-LSB1HV-300D50-PRM	300	5,000 K	819201023615	1	22.44" x 14.57" x 6.50"	17.09 lbs
ASD-LSB1HV-400D50-PRM	400	5,000 K	819201023837	1	22.44" x 14.57" x 6.50"	17.09 lbs
ASD-LSB1P-100D50-MS-PRM	100 W	5,000 K	819201024520	1	14.57" x 14.17" x 7.48"	21.90 lbs
ASD-LSB1P-150D50-MS-PRM	150 W	5,000 K	819201024537	1	14.57" x 14.17" x 7.48"	22.48 lbs
ASD-LSB1P-185D50-MS-PRM	185 W	5,000 K	819201024544	1	14.57" x 14.17" x 7.48"	23.69 lbs
ASD-LSB1P-240D50-MS-PRM	240 W	5,000 K	819201024568	1	22.44" x 14.57" x 8.07"	35.70 lbs
ASD-LSB1P-300D50-MS-PRM	300 W	5,000 K	819201024575	1	22.44" x 14.57" x 8.07"	36.21 lbs

### ACCESSORIES FOR LED AREA LIGHT:

Model	Name	Materials	Weight	Dimensions
ASD-PC-LSB1	AC 100-277V Photocell + Photocell base	PC	0.4 lb (0.2 kg)	3 3/8" x 2 5/8"
ASD-PC-LSB1HV	AC 200-480V Photocell + Photocell base	PC	0.4 lb (0.2 kg)	3 3/8" x 2 5/8"
ASD-SFM-LSB1-BR	Slip Fitter Mounting bracket	Aluminum	2.6 lb (1.17 kg)	7 5/8" x 4 7/8" x 3 1/4"
ASD-AMB-LSB1-BR	Arm Mounting bracket	Aluminum	2.2 lb (1.02 kg)	7 3/4" x 4 7/8" x 5 1/2"
ASD-FLB-LSB1-BR	Wall Mounting bracket	Aluminum	2.3 lb (1.02 kg)	5 1/4" x 6" x 2"
ASD-TRB-LSB1-BR	Trunnion Mounting bracket	Aluminum	2.3 lb (1.03 kg)	13 1/3" x 10 1/3" x 2"
ASD-L4M-LSB	Clear Lens Type IV-M	PC	0.5 lb (0.2 kg)	11" x 6" x 1/4"
ASD-L5M-LSB	Clear Lens Type V-M	PC	0.5 lb (0.2 kg)	11" x 6" x 1/4"
ASD-MSK1-LSB1-100/185	Motion Sensor & Photocell Kit	PC	1.81 lb (0.82 kg)	11 1/2" x 4 5/8" x 1 3/8"
ASD-MSK2-LSB1-240/400	Motion Sensor & Photocell Kit	PC	2.47 lb (1.12 kg)	11 1/2" x 6 3/4" x 1 3/8"

Model	Pcs in one Carton	Carton Size	Carton Weight	UPC	GTIN 14
ASD-PC-LSB1	24	23.2" x 15.7" x 6.3"	13.10 lbs	819201023622	10819201023629
ASD-PC-LSB1HV	24	23.2" x 15.7" x 6.3"	13.10 lbs	819201023646	10819201023643
ASD-SFM-LSB1-BR	10	23.2" x 15.7" x 6.3"	28.4 lbs	819201022137	10819201022134
ASD-AMB-LSB1-BR	5	23.2" x 15.7" x 6.3"	13.23 lbs	819201021284	10819201021281
ASD-FLB-LSB1-BR	12	23.2" x 15.7" x 6.3"	29.63 lbs	819201022120	10819201022127
ASD-TRB-LSB1-BR	8	23.2" x 15.7" x 6.3"	24.3 lbs	819201023684	10819201023681
ASD-L4M-LSB	50	23.2" x 15.7" x 6.3"	28.7 lbs	819201023844	10819201023841
ASD-L5M-LSB	50	23.2" x 15.7" x 6.3"	28.7 lbs	819201023851	10819201023858
ASD-MSK1-LSB1-100/185	10	22.4" x 14.6" x 6.3"	25.35 lbs	819201024582	10819201024589
ASD-MSK2-LSB1-240/400	10	22.4" x 14.6" x 6.3"	29.76 lbs	819201024599	10819201024596



# LED Area light

Premium Series

## SLIP FITTER BRACKET ADAPTORS FOR POLE MOUNT:

Model	Name	Materials	Weight	Dimensions
ASD-BRAD4	ASD Round Pole tenon Adaptor for 2 3/8 to 4"	Steel	1.98 lb (0.9 kg)	4 1/4" x 4 1/4" x 7 1/2"
ASD-BRAD3	ASD Round Pole tenon Adaptor for 2 3/8 to 3"	Q235 steel	1.68 lb (0.76 kg)	3 3/8" x 3 3/8" x 7 1/2"
ASD-B2BT	ASD Dual Bull tenon Bracket for 2 3/8	Q235 steel	13.23 lb (6 kg)	36" x 2 3/4" x 16"
ASD-B3BT	ASD Triple Bull tenon Bracket for 2 3/8	Q235 steel	16.98 lb (7.7 kg)	43" x 2 3/4" x 16"
ASD-BWM90	ASD Wall mount 90 angle Bracket 8 1/2" x 8" pole 2 3/8	Q235 steel	4.54 lb (2.06 kg)	7" x 7" x 9"
ASD-BSMG4	ASD Ground surface Bracket 4"	Q235 steel	1.9 lb (0.86 kg)	8" x 3 7/8" x 4"
ASD-BSAD4	ASD Tenon Adaptor 2-3/8" For 4" Square Poles	Steel	4.41 lb (2 kg)	7 5/8" x 5 1/8" x 5 1/8"
ASD-BSAD5	ASD Tenon Adaptor 2-3/8" For 5" Square Poles	Steel	5.07 lb (2.3 kg)	7 5/8" x 6 1/8" x 6 1/8"
ASD-B2SAD4	ASD Two heads 2-3/8 adaptor for 4" square pole	Steel	9.92 lb (4.5 kg)	16 1/2" x 4 3/4" x 7 3/8"
ASD-B4SAD4	ASD Four heads 2-3/8 adaptor for 4" square pole	Steel	14.99 lb (6.8 kg)	20 1/2" x 20 1/2" x 7 3/8"

Model	Pcs in one Carton	Carton Size	Carton Weight	UPC	GTIN 14
ASD-BRAD4	20	24" x 16.5" x 10.4"	19.5 lbs	819201025176	10819201025173
ASD-BRAD3	20	19.5" x 16.5" x 8.7"	16.7 lbs	819201025183	10819201025180
ASD-B2BT	1	37.8" x 17.72" x 4.72"	15.43 lbs	819201025190	
ASD-B3BT	1	44.88" x 17.72" x 4.72"	19.18 lbs	819201025206	
ASD-BWM90	5	22.4" x 9.8" x 13"	11.5 lbs	819201025213	10819201025210
ASD-BSMG4	10	22" x 9.3" x 4.4"	10 lbs	819201025220	10819201025227
ASD-BSAD4	6	16.3" x 11" x 8.7"	28.7 lbs	819201025701	10819201025708
ASD-BSAD5	6	19.3" x 13" x 8.7"	32 lbs	819201025718	10819201025715
ASD-B2SAD4	2	17.1" x 10.8" x 8.5"	20.9 lbs	819201025725	10819201025722
ASD-B4SAD4	2	20.9" x 20.9" x 15.9"	30.9 lbs	819201025732	10819201025739