



LED ROUND OUTDOOR WALL CYLINDER

► **DESIGN** - LED OUTDOOR WALL CYLINDER has a modern design with effective up and/or down illumination. This fixture has a tempered glass cover and a durable die-cast aluminum body. It is designed to operate on 120V circuits and provides smooth triac dimming capabilities ranging from 10% to 100%.

► **COLOR SELECTABLE** - You can choose either a 3,000K warm white, 4,000K cool white or 5,000K daylight color temperature.

► **PHOTOCELL** - The built-in Dusk to Dawn Photocell for indicated models will automatically turn the fixture on/off depending on the time of day.

► **APPLICATION** - The fixture is rated for Wet Locations, making it perfect for indoor and outdoor projects such as decks, front doors, porches, patios, corridors, walkways, or any other common areas.

► **ADVANTAGES** - With a lifespan of 50,000 hours, these fixtures are made to last decades under normal operation! ASD provides a 5-year limited warranty along with ETL certification to guarantee top quality products and safety!

Catalog number	
Notes	
Type	



Finish: **Bronze** **Black**

Model	Light direction	Watts	Voltage	Dimmable	Lumens	CCT	Finish	Dimensions (LxWxH)	Option
OLCLR ROUND									
ASD-OLCLR-1D9CC-BZ	1	9W	120 V	TRIAC	up to 1,002 lm	3CCT (3,000/4,000/5,000 K)	Oil rubbed bronze	4-3/8" x 6-7/16" x 7-7/8"	-
ASD-OLCLR-1D9CC-BK	1	9W	120 V	TRIAC	up to 1,002 lm	3CCT (3,000/4,000/5,000 K)	Black	4-3/8" x 6-7/16" x 7-7/8"	-
ASD-OLCLR-1D9CC-BK-2PACK	1	9W	120 V	TRIAC	up to 1,002 lm	3CCT (3,000/4,000/5,000 K)	Black	4-3/8" x 6-7/16" x 7-7/8"	-
ASD-OLCLR-2D18CC-BK-2PACK	2	18W	120 V	TRIAC	up to 1,859 lm	3CCT (3,000/4,000/5,000 K)	Black	4-3/8" x 6-7/16" x 11-13/16"	-
OLCLS SQUARE									
ASD-OLCLS-1D9CC-BZ	1	9W	120 V	TRIAC	up to 983 lm	3CCT (3,000/4,000/5,000 K)	Oil rubbed bronze	5-13/16" x 4-3/8" x 7-7/8"	-
ASD-OLCLS-1D9CC-BK	1	9W	120 V	TRIAC	up to 983 lm	3CCT (3,000/4,000/5,000 K)	Black	5-13/16" x 4-3/8" x 7-7/8"	-
ASD-OLCLS-2D18CC-BZ	2	18W	120 V	TRIAC	up to 1,974 lm	3CCT (3,000/4,000/5,000 K)	Oil rubbed bronze	5-13/16" x 4-3/8" x 10-1/4"	-
ASD-OLCLS-2D18CC-BK	2	18W	120 V	TRIAC	up to 1,974 lm	3CCT (3,000/4,000/5,000 K)	Black	5-13/16" x 4-3/8" x 10-1/4"	-
OLCLR-EM ROUND WITH BATTERY BACK-UP									
ASD-OLCLR-MV-2D18CC-EM-BZ	2	18W	120-277 V	TRIAC	up to 1,676 lm	3CCT (3,000/4,000/5,000 K)	Oil rubbed bronze	4-3/8" x 6-5/8" x 11-13/16"	6W Battery back-up
ASD-OLCLR-MV-2D18CC-EM-BK	2	18W	120-277 V	TRIAC	up to 1,676 lm	3CCT (3,000/4,000/5,000 K)	Black	4-3/8" x 6-5/8" x 11-13/16"	6W Battery back-up
OLCLR-PC ROUND WITH PHOTOCELL									
ASD-OLCLR-1N9CC-PC-BZ	1	9W	120 V	-	up to 1,002 lm	3CCT (3,000/4,000/5,000 K)	Oil rubbed bronze	4-3/8" x 6-7/16" x 7-7/8"	Photocell
ASD-OLCLR-1N9CC-PC-BK-2PACK	1	9W	120 V	-	up to 1,002 lm	3CCT (3,000/4,000/5,000 K)	Black	4-3/8" x 6-7/16" x 7-7/8"	Photocell
ASD-OLCLR-2N18CC-PC-BZ	2	18W	120 V	-	up to 1,859 lm	3CCT (3,000/4,000/5,000 K)	Oil rubbed bronze	4-3/8" x 6-7/16" x 11-13/16"	Photocell
ASD-OLCLR-2N18CC-PC-BK	2	18W	120 V	-	up to 1,859 lm	3CCT (3,000/4,000/5,000 K)	Black	4-3/8" x 6-7/16" x 11-13/16"	Photocell
ASD-OLCLR-2N18CC-PC-BK-2PACK	2	18W	120 V	-	up to 1,859 lm	3CCT (3,000/4,000/5,000 K)	Black	4-3/8" x 6-7/16" x 11-13/16"	Photocell
OLCLS-PC SQUARE WITH PHOTOCELL									
ASD-OLCLS-1N9CC-PC-BK	1	9W	120 V	-	up to 983 lm	3CCT (3,000/4,000/5,000 K)	Black	5-13/16" x 4-3/8" x 7-7/8"	Photocell
ASD-OLCLS-2N18CC-PC-BK	2	18W	120 V	-	up to 1,974 lm	3CCT (3,000/4,000/5,000 K)	Black	5-13/16" x 4-3/8" x 10-1/4"	Photocell

For detailed luminous flux information please refer to Annex 1.

For most up-to-date spec sheets please refer to asd-lighting.com



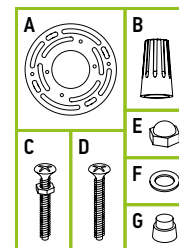
LED ROUND OUTDOOR WALL CYLINDER

PRODUCT SPECIFICATIONS:

Construction & Materials						
Housing	Aluminum					
Lens	Glass					
Finish	Oil rubbed bronze, Black					
Weight	ASD-OLCLR-1D9CC-BZ	1.9 lbs (0.9 kg)	ASD-OLCLS-2D18CC-BZ	2.5 lbs (1.1 kg)	ASD-OLCLR-2N18CC-PC-BZ	2.5 lbs (1.1 kg)
	ASD-OLCLR-1D9CC-BK		ASD-OLCLS-2D18CC-BK		ASD-OLCLR-2N18CC-PC-BK	
	ASD-OLCLR-1D9CC-BK-2PACK	4 lbs (1.8 kg)	ASD-OLCLR-MV-2D18CC-EM-BZ	3 lbs (1.4 kg)	ASD-OLCLR-2N18CC-PC-BK-2PACK	5.3 lbs (2.4 kg)
	ASD-OLCLR-2D18CC-BK-2PACK	5.3 lbs (2.4 kg)	ASD-OLCLR-MV-2D18CC-EM-BK		ASD-OLCLS-1N9CC-PC-BK	1.9 lbs (0.9 kg)
	ASD-OLCLS-1D9CC-BZ	2 lbs (0.9 kg)	ASD-OLCLR-1N9CC-PC-BZ	2 lbs (0.9 kg)	ASD-OLCLR-2N18CC-PC-BK	2.6 lbs (1.2 kg)
ASD-OLCLS-1D9CC-BK	ASD-OLCLR-1N9CC-PC-BK-2PACK		6.2 lbs (2.8 kg)			
Environmental system						
Work environment	Suitable for Wet Locations					
Operating temperature	-40°F to 113°F (-40°C to 45°C)		for EM and PC models: -4°F to 113°F (-20°C to 45°C)			
L-70 Life	> 50,000 hrs					
Optical system						
Color temperature	3CCT switch (3,000/4,000/5,000 K), 3,000 K by default					
CRI	> 80					
Electrical system						
Input voltage	120 V					
	for EM models: 120-277 V					
Max input current	ASD-OLCLR-1D9CC-BZ	0.1 A	ASD-OLCLS-2D18CC-BZ	0.2 A	ASD-OLCLR-2N18CC-PC-BZ	0.4 A
	ASD-OLCLR-1D9CC-BK		ASD-OLCLS-2D18CC-BK		ASD-OLCLR-2N18CC-PC-BK	
	ASD-OLCLR-1D9CC-BK-2PACK		ASD-OLCLR-MV-2D18CC-EM-BZ	ASD-OLCLR-2N18CC-PC-BK-2PACK		
	ASD-OLCLR-2D18CC-BK-2PACK	0.2 A	ASD-OLCLR-MV-2D18CC-EM-BK	0.4 A	ASD-OLCLS-1N9CC-PC-BK	0.1 A
	ASD-OLCLS-1D9CC-BZ	0.1 A	ASD-OLCLR-1N9CC-PC-BZ		ASD-OLCLS-2N18CC-PC-BK	0.2 A
ASD-OLCLS-1D9CC-BK	ASD-OLCLR-1N9CC-PC-BK-2PACK					
Inrush current (Action time)	1 light direction: 0.07 A (0.1 S)		2 light direction: 0.15 A (0.1 S)			
Off state power	0W					
Power consumption	1 light direction: 9W		2 light direction: 18W			
Power factor	> 0.9					
Output voltage	-					
Max output current	1 light direction: 0.25 A		for OLCLR-EM and OLCLR-PC models: 36 V			
Surge protection DM/CM	1.25 kV / 1.25 kV		for EM models: 1.5 kV / 1.5 kV			
Dimming compatible controls						
Brand	Lutron	Leviton				
Models	MACL-153MLH-WH	R02-DW6HD-2RW				
	STCL-153PH-WH	R00-RNL06-0TW				
	PD-6WCL-WH-R	R68-06674-P0T				
	DVCL-153PR	DSL06				
	P-PKG1W					
Regular and voluntary certifications						
5-year limited warranty						
cETLus certified	4001256					

PACKAGE CONTENTS:

Description	Q-ty
LED Round or Square Outdoor Wall Cylinder	1 (2 for 2 pack)
Mounting plate (A)	1
Wire nut (B)	3
Mounting screw (C)	2
Outlet box screw (D)	2
Decorative nut (E)	2
Waterproof gasket (F)	2
Photocell cap (G) only for PC models	1
Box	1





For most up-to-date spec sheets please refer to asd-lighting.com



LED ROUND OUTDOOR WALL CYLINDER

BUILT-IN BACK-UP BATTERY INFORMATION

Operating condition	 Blinking
Emergency mode	 OFF
Test switch	

1. Indicator Light is Blinking: Battery back-up recharging.
2. Indicator Light is OFF: Battery back-up is full charge; Battery back-up is working.
3. In order to test the battery back-up press the test switch one time. To turn off the emergency power state press test switch one more time.

Specifications	
Input voltage	100-277 V 50/60 Hz
AC Input current	max 110 mA
AC Input power rating	max 5.0W
Output current and voltage	200 mA 20-36 Vdc
Output power	6W
Lumens	400 lm
Emergency time	min 90 minutes
Warranty	5 years
Indicator light	Illuminated test switch
Battery	Li-ion battery - 11.1 V/2200 mAh
Battery charging current	440 mA
Charging time	8 hours
Temperature rating (ambient)	32°F to 113°F (0°C to 45°C)

BUILT-IN PHOTOCELL INFORMATION

The dusk-to-dawn sensor automatically turns the fixture off during daylight hours.

Specifications	Model: MD-EP-120R
Input power	120 Vac, 60 Hz
Light level to turn ON	30 - 150 lux (2.8 - 14 fc)
Light level to turn OFF	200 - 800 lux (18.6-74.4 fc)
Operating temperature	-4°F to 122°F (-20°C to 50°C)

INSTALLATION GUIDE

IMPORTANT SAFETY INFORMATION:

Please read all the instructions below before installation.

- ▶ Make sure that the supply voltage corresponds to the rated product voltage.
- ▶ The product must be installed by a qualified electrician in accordance with the National Electrical Code and corresponding local codes.
- ▶ If the product is damaged, do not use it.

⚠ WARNING

RISK OF PERSONAL INJURY – READ and follow all WARNINGS and installation instructions. Keep or give to the owner for future reference.

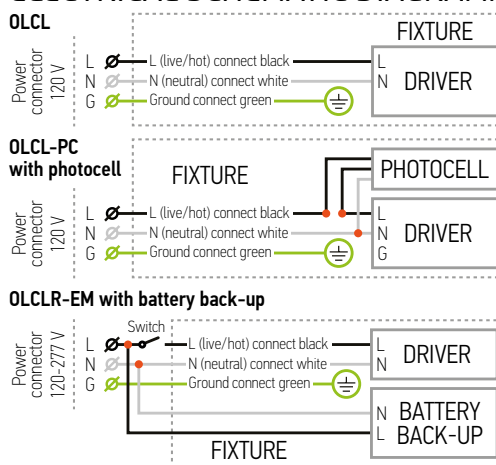
Risk of cuts: Wear gloves to prevent cuts or abrasions when removing from carton, handling, installing, and maintaining this product.

Risk of electric shock: This product must be installed in accordance with the applicable installation code by a person familiar with the construction and operation of the product and the hazards involved.

Risk of Fire: Minimum 194°F supply conductors. Consult a qualified electrician to ensure correct branch circuit conductor.

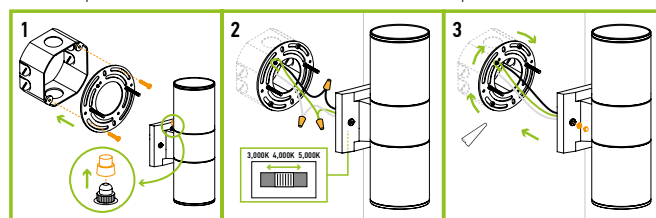
ASD® assumes no responsibility for claims arising out of improper or careless installation or handling of this product.

ELECTRICAL SCHEMATIC DIAGRAM:



INSTALLATION STEPS:

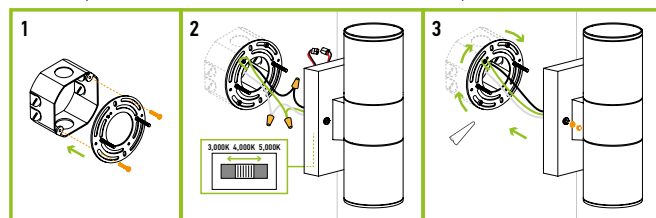
1. Screw the two mounting screws onto the mounting plate. Attach the mounting plate to the outlet box using screws. Make sure the threads of the mounting screws are facing outside when the mounting plate is attached to the outlet box. In models with photocell option remove the photocell cap to make the dusk-to-dawn sensor operate.
2. Choose needed color temperature by adjusting switch position. Connect the wires: Black to Black, White to White, Ground to Ground. Secure the connection with wire nuts.
3. Place the fixture base on the wall by aligning the protruding mounting screws through the holes on the wall plate. Put the waterproof gasket on each mounting screw. Tighten the fixture to the wall using two decorative nuts. For outdoor locations please use silicone (not included) shown in the picture below.



* The fixture must be mounted vertically with the photocell sensor facing up.

BATTERY BACK-UP MODELS INSTALLATION:

1. Screw the two mounting screws onto the mounting plate. Attach the mounting plate to the outlet box using screws. Make sure the threads of the mounting screws are facing outside when the mounting plate is attached to the outlet box.
2. Choose needed color temperature by adjusting switch position. Connect the LED Emergency controller to the battery back-up. Connect the wires: Black to Black, White to White, Ground to Ground. Secure the connection with wire nuts.
3. Place the fixture base on the wall by aligning the protruding mounting screws through the holes on the wall plate. Put the waterproof gasket on each mounting screw. Tighten the fixture to the wall using two decorative nuts. For outdoor locations please use silicone (not included) shown in the picture below.



* The fixture must be mounted vertically with the test-switch facing down.

For most up-to-date spec sheets please refer to asd-lighting.com



LED ROUND OUTDOOR WALL CYLINDER

ORDERING INFORMATION

Model	UPC	Pcs. per carton	Carton size	Carton weight	GTIN 14
OLCLR ROUND					
ASD-OLCLR-1D9CC-BZ	810050736466	6	16.7" x 15.4" x 9.7"	16.7 lbs	30810050736467
ASD-OLCLR-1D9CC-BK	810050736459	6	16.7" x 15.4" x 9.7"	16.7 lbs	30810050736450
ASD-OLCLR-1D9CC-BK-2PACK	810128112482	3	24.4" x 11.4" x 9.8"	16.9 lbs	10810128112489
ASD-OLCLR-2D18CC-BK-2PACK	810128111614	3	24.4" x 11.4" x 13.8"	20.3 lbs	10810128111611
OLCLS SQUARE					
ASD-OLCLS-1D9CC-BZ	810050736503	6	16.7" x 15.4" x 9.8"	15.3 lbs	30810050736504
ASD-OLCLS-1D9CC-BK	810050736497	6	16.7" x 15.4" x 9.8"	15.3 lbs	30810050736498
ASD-OLCLS-2D18CC-BZ	810050736527	6	16.7" x 15.4" x 12.2"	19.7 lbs	30810050736528
ASD-OLCLS-2D18CC-BK	810050736510	6	16.7" x 15.4" x 12.2"	19.7 lbs	30810050736511
OLCLR-EM ROUND WITH BATTERY BACK-UP					
ASD-OLCLR-MV-2D18CC-EM-BZ	810050736800	6	16.7" x 15.8" x 13.8"	21.3 lbs	30810050736801
ASD-OLCLR-MV-2D18CC-EM-BK	810050736794	6	16.7" x 15.8" x 13.8"	21.3 lbs	30810050736795
OLCLR-PC ROUND WITH PHOTOCELL					
ASD-OLCLR-1N9CC-PC-BZ	810050738026	6	16.7" x 15.4" x 9.7"	16.7 lbs	10810050738023
ASD-OLCLR-1N9CC-PC-BK-2PACK	810128111621	3	24.4" x 11.4" x 9.8"	20.5 lbs	10810128111628
ASD-OLCLR-2N18CC-PC-BZ	810050738033	6	16.7" x 15.4" x 13.6"	19.7 lbs	10810050738030
ASD-OLCLR-2N18CC-PC-BK	810050736787	6	16.7" x 15.4" x 13.6"	19.7 lbs	30810050736788
ASD-OLCLR-2N18CC-PC-BK-2PACK	810128113885	3	24.4" x 11.4" x 13.8"	20.3 lbs	10810128113882
OLCLS-PC SQUARE WITH PHOTOCELL					
ASD-OLCLS-1N9CC-PC-BK	810050736817	6	16.7" x 15.4" x 9.8"	15.3 lbs	30810050736818
ASD-OLCLS-2N18CC-PC-BK	810050736824	6	16.7" x 15.4" x 12.2"	17.4 lbs	30810050736825

For most up-to-date spec sheets please refer to asd-lighting.com

ASD LIGHTING CORP

E-mail: orders@asd-lighting.com | Web site: www.asd-lighting.com





LED ROUND OUTDOOR WALL CYLINDER

ANNEX 1

Model	Watts	3,000 K	4,000 K	5,000 K
ASD-OLCLR-1D9CC-BZ ASD-OLCLR-1D9CC-BK ASD-OLCLR-1D9CC-BK-2PACK ASD-OLCLR-1N9CC-PC-BZ ASD-OLCLR-1N9CC-PC-BK-2PACK	9W	910 lm	1,002 lm	870 lm
ASD-OLCLR-2D18CC-BK-2PACK ASD-OLCLR-2N18CC-PC-BZ ASD-OLCLR-2N18CC-PC-BK ASD-OLCLR-2N18CC-PC-BK-2PACK	18W	1,678 lm	1,859 lm	1,745 lm
ASD-OLCLS-1D9CC-BZ ASD-OLCLS-1D9CC-BK ASD-OLCLS-1N9CC-PC-BK	9W	878 lm	983 lm	900 lm
ASD-OLCLS-2D18CC-BZ ASD-OLCLS-2D18CC-BK ASD-OLCLS-2N18CC-PC-BK	18W	1,737 lm	1,974 lm	1,807 lm
ASD-OLCLR-MV-2D18CC-EM-BZ ASD-OLCLR-MV-2D18CC-EM-BK	18W	1,556 lm	1,676 lm	1,529 lm

For most up-to-date spec sheets please refer to asd-lighting.com