



LED OUTDOOR WALL SCNCE

► **DESIGN** - LED OUTDOOR WALL SCNCE has a modern, multipurpose design and a stylish look with efficient lighting. Durable housing resistant to rust and impact provides many years of service. The UV resistant PMMA lens with a 120° beam angle grants you even light distribution. It is designed to operate on 120V or 120-277V circuits.

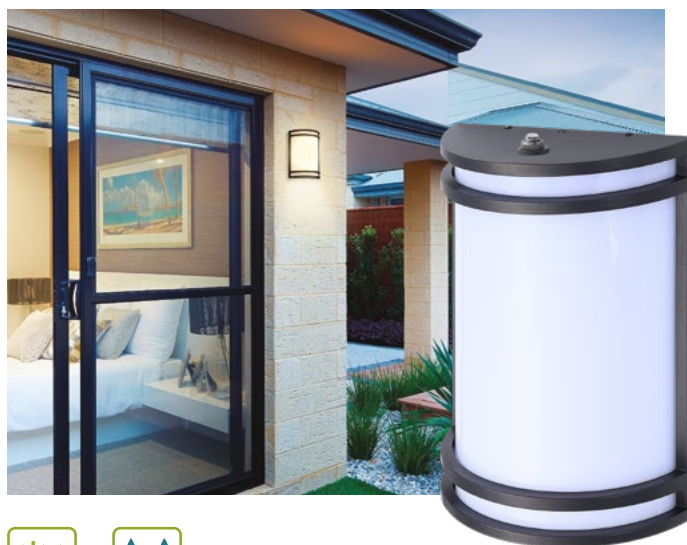
► **PHOTOCELL** - The built-in Dusk to Dawn Photocell will automatically turn the fixture on/off depending on the time of day.

► **COLOR SELECTABLE** - You can choose either a 3,000K warm white, 4,000K cool white or 5,000K daylight color temperature.

► **APPLICATION** - The fixture is rated for Wet Locations, making it perfect for indoor and outdoor projects such as decks, front doors, porches, patios, corridors, walkways, or any other common areas.

► **ADVANTAGES** - With a lifespan of 50,000 hours, these fixtures are made to last decades under normal operation! ASD provides a 5-year limited warranty along with ETL certification to guarantee top quality products and safety!

Catalog number	
Notes	
Type	



Finish: Nickel Bronze Black

Model	Size	Watts	Voltage	Dimmable	Lumens	CCT	Finish	Dimensions (LxWxH)	Option
OLWS-21									
ASD-OLWS-21-D15CC-NK	10 inch	15W	120 V	TRIAC	up to 1,098 lm	3CCT (3,000/4,000/5,000 K)	Nickel	7" x 3-1/4" x 9-15/16"	-
ASD-OLWS-21-10D15CC-NK-2PACK	10 inch	15W	120 V	TRIAC	up to 1,098 lm	3CCT (3,000/4,000/5,000 K)	Nickel	7" x 3-1/4" x 9-15/16"	-
ASD-OLWS-21-D15CC-BZ	10 inch	15W	120 V	TRIAC	up to 1,098 lm	3CCT (3,000/4,000/5,000 K)	Oil rubbed bronze	7" x 3-1/4" x 9-15/16"	-
ASD-OLWS-21-10D15CC-BZ-2PACK	10 inch	15W	120 V	TRIAC	up to 1,098 lm	3CCT (3,000/4,000/5,000 K)	Oil rubbed bronze	7" x 3-1/4" x 9-15/16"	-
ASD-OLWS-21-MV-18D20CC-NK	18 inch	20W	120-277 V	TRIAC	up to 2,457 lm	3CCT (3,000/4,000/5,000 K)	Nickel	7" x 3-1/4" x 17-15/16"	-
ASD-OLWS-21-MV-18D20CC-BZ	18 inch	20W	120-277 V	TRIAC	up to 2,457 lm	3CCT (3,000/4,000/5,000 K)	Oil rubbed bronze	7" x 3-1/4" x 17-15/16"	-
ASD-OLWS-21-MV-24D25CC-NK	24 inch	25W	120-277 V	TRIAC	up to 3,017 lm	3CCT (3,000/4,000/5,000 K)	Nickel	7" x 3-1/4" x 23-13/16"	-
ASD-OLWS-21-MV-24D25CC-BZ	24 inch	25W	120-277 V	TRIAC	up to 3,017 lm	3CCT (3,000/4,000/5,000 K)	Oil rubbed bronze	7" x 3-1/4" x 23-13/16"	-
ASD-OLWS-21-MV-36D30CC-NK	36 inch	30W	120-277 V	TRIAC	up to 3,268 lm	3CCT (3,000/4,000/5,000 K)	Nickel	7" x 3-1/4" x 36"	-
ASD-OLWS-21-MV-36D30CC-BK	36 inch	30W	120-277 V	TRIAC	up to 3,268 lm	3CCT (3,000/4,000/5,000 K)	Black	7" x 3-1/4" x 36"	-
OLWS-21-PC WITH PHOTOCELL									
ASD-OLWS-21-N15CC-PC-NK	10 inch	15W	120 V	-	up to 1,098 lm	3CCT (3,000/4,000/5,000 K)	Nickel	7" x 3-1/4" x 10-7/16"	Photocell
ASD-OLWS-21-10N15CC-PC-NK-2PACK	10 inch	15W	120 V	-	up to 1,098 lm	3CCT (3,000/4,000/5,000 K)	Nickel	7" x 3-1/4" x 10-7/16"	Photocell
ASD-OLWS-21-N15CC-PC-BZ	10 inch	15W	120 V	-	up to 1,098 lm	3CCT (3,000/4,000/5,000 K)	Oil rubbed bronze	7" x 3-1/4" x 10-7/16"	Photocell
ASD-OLWS-21-10N15CC-PC-BZ-2PACK	10 inch	15W	120 V	-	up to 1,098 lm	3CCT (3,000/4,000/5,000 K)	Oil rubbed bronze	7" x 3-1/4" x 10-7/16"	Photocell

For detailed luminous flux information please refer to Annex, page 4.

For most up-to-date spec sheets please refer to asd-lighting.com



LED OUTDOOR WALL SCNCE

PRODUCT SPECIFICATIONS:

Construction & Materials				
Housing	Aluminum	for MV models: Steel		
Lens	PMMA	for MV models: Acrylic		
Finish	Nickel, Oil rubbed bronze, Black			
Weight	ASD-OLWS-21-D15CC-NK	1.8 lbs (0.8 kg)	ASD-OLWS-21-MV-24D25CC-BZ	4.5 lbs (2 kg)
	ASD-OLWS-21-10D15CC-NK-2PACK	4.4 lbs (2 kg)	ASD-OLWS-21-MV-36D30CC-NK	6.2 lbs (2.8 kg)
	ASD-OLWS-21-D15CC-BZ	1.8 lbs (0.8 kg)	ASD-OLWS-21-MV-36D30CC-BK	
	ASD-OLWS-21-10D15CC-BZ-2PACK	4.4 lbs (2 kg)	ASD-OLWS-21-N15CC-PC-NK	2.2 lbs (1 kg)
	ASD-OLWS-21-MV-18D20CC-NK	3.7 lbs (1.7 kg)	ASD-OLWS-21-10N15CC-PC-NK-2PACK	4.4 lbs (2 kg)
	ASD-OLWS-21-MV-18D20CC-BZ		ASD-OLWS-21-N15CC-PC-BZ	2.2 lbs (1 kg)
ASD-OLWS-21-MV-24D25CC-NK	4.5 lbs (2 kg)	ASD-OLWS-21-10N15CC-PC-BZ-2PACK	4.4 lbs (2 kg)	
Environmental system				
Work environment	Suitable for Wet Locations			
Operating temperature	-40°F to 113°F (-40°C to 45°C)	for PC models: -4°F to 113°F (-20°C to 45°C)		
L-70 Life	> 50,000 hrs			
Optical system				
Color temperature	3CCT switch (3,000/4,000/5,000 K), 3,000 K by default			
CRI	> 80			
Electrical system				
Input voltage	120 V for MV models: 120-277 V			
Max input current	ASD-OLWS-21-D15CC-NK	0.19 A	ASD-OLWS-21-MV-24D25CC-BZ	0.23 A
	ASD-OLWS-21-10D15CC-NK-2PACK		ASD-OLWS-21-MV-36D30CC-NK	0.28 A
	ASD-OLWS-21-D15CC-BZ		ASD-OLWS-21-MV-36D30CC-BK	
	ASD-OLWS-21-10D15CC-BZ-2PACK	0.18 A	ASD-OLWS-21-N15CC-PC-NK	0.19 A
	ASD-OLWS-21-MV-18D20CC-NK		ASD-OLWS-21-10N15CC-PC-NK-2PACK	
	ASD-OLWS-21-MV-18D20CC-BZ		ASD-OLWS-21-N15CC-PC-BZ	
ASD-OLWS-21-MV-24D25CC-NK	0.23 A	ASD-OLWS-21-10N15CC-PC-BZ-2PACK		
Inrush current (Action time)	ASD-OLWS-21-D15CC-NK	0.12 A (0.1 S)	ASD-OLWS-21-MV-24D25CC-BZ	0.21 A (0.1 S)
	ASD-OLWS-21-10D15CC-NK-2PACK		ASD-OLWS-21-MV-36D30CC-NK	0.25 A (0.1 S)
	ASD-OLWS-21-D15CC-BZ		ASD-OLWS-21-MV-36D30CC-BK	
	ASD-OLWS-21-10D15CC-BZ-2PACK	0.17 A (0.1 S)	ASD-OLWS-21-N15CC-PC-NK	0.12 A (0.1 S)
	ASD-OLWS-21-MV-18D20CC-NK		ASD-OLWS-21-10N15CC-PC-NK-2PACK	
	ASD-OLWS-21-MV-18D20CC-BZ		ASD-OLWS-21-N15CC-PC-BZ	
ASD-OLWS-21-MV-24D25CC-NK	0.21 A (0.1 S)	ASD-OLWS-21-10N15CC-PC-BZ-2PACK		
Off state power	0W			
Power consumption	ASD-OLWS-21-D15CC-NK	15W	ASD-OLWS-21-MV-24D25CC-BZ	25W
	ASD-OLWS-21-10D15CC-NK-2PACK		ASD-OLWS-21-MV-36D30CC-NK	30W
	ASD-OLWS-21-D15CC-BZ		ASD-OLWS-21-MV-36D30CC-BK	
	ASD-OLWS-21-10D15CC-BZ-2PACK	20W	ASD-OLWS-21-N15CC-PC-NK	15W
	ASD-OLWS-21-MV-18D20CC-NK		ASD-OLWS-21-10N15CC-PC-NK-2PACK	
	ASD-OLWS-21-MV-18D20CC-BZ		ASD-OLWS-21-N15CC-PC-BZ	
ASD-OLWS-21-MV-24D25CC-NK	25W	ASD-OLWS-21-10N15CC-PC-BZ-2PACK		
Power factor	> 0.9			
Output voltage	-	for MV models: 18-40 V		
Max output current	-	for MV 18 inch models: 0.52 A	for MV 24 inch models: 0.6 A	for MV 36 inch models: 0.7 A
Surge protection DM/CM	1.25 kV / 1.25 kV			
Dimming range				
10-100%				
Dimming compatible controls				
Brand	Lutron		Leviton	
Models	MACL-153MLH-WH		R02-DW6HD-2RW	
	STCL-153PH-WH		R00-RNL06-0TW	
	PD-6WCL-WH-R		R68-06674-P0T	
	DVCL-153PR		DSL06	
	P-PKG1W			
Regular and voluntary certifications				
5-year limited warranty				
Energy Star listed (except MV and PC models)				
cETLus certified 4001256				

BUILT-IN PHOTOCELL INFORMATION

The dusk-to-dawn sensor automatically turns the fixture off during daylight hours.

Specifications	Model: MD.EP-120R
Input power	120 Vac, 60 Hz
Light level to turn ON	30 ~ 150 lux (2.8 ~ 14 fc)
Light level to turn OFF	200 ~ 800 lux (18.6 ~ 74.4 fc)
Operating temperature	-4°F to 122°F (-20°C to 50°C)

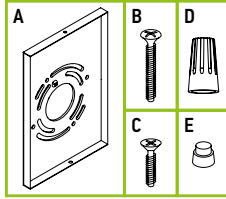
For most up-to-date spec sheets please refer to asd-lighting.com



LED OUTDOOR WALL SCNCE

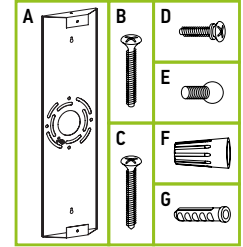
PACKAGE CONTENTS FOR 10" MODELS:

Description	Q-ty
LED Outdoor Wall Sconce	1 (2 for 2pack)
Mounting plate (A)	1
Mounting screw (B)	2
Fixture screw (C)	2
Wire nut (D)	3
Photocell cap (E) only for PC models	1
Box	1



PACKAGE CONTENTS FOR 18, 24, 36" MODELS:

Description	Q-ty
LED Outdoor Wall Sconce	1
Mounting plate (A)	1
Mounting screw (B)	2
Self-tapping screw (C)	2 for 18", 4 for 24", 36"
Fixture screw (D)	2
Decorative screw (E)	2
Wire nut (F)	3
Anchor (G)	2 for 18", 4 for 24", 36"
Box	1



INSTALLATION GUIDE

IMPORTANT SAFETY INFORMATION:

Please read all the instructions below before installation.

- ▶ Make sure that the supply voltage corresponds to the rated product voltage.
- ▶ The product must be installed by a qualified electrician in accordance with the National Electrical Code and corresponding local codes.
- ▶ If the product is damaged, do not use it.

⚠ WARNING

RISK OF PERSONAL INJURY – READ and follow all WARNINGS and installation instructions. Keep or give to the owner for future reference.

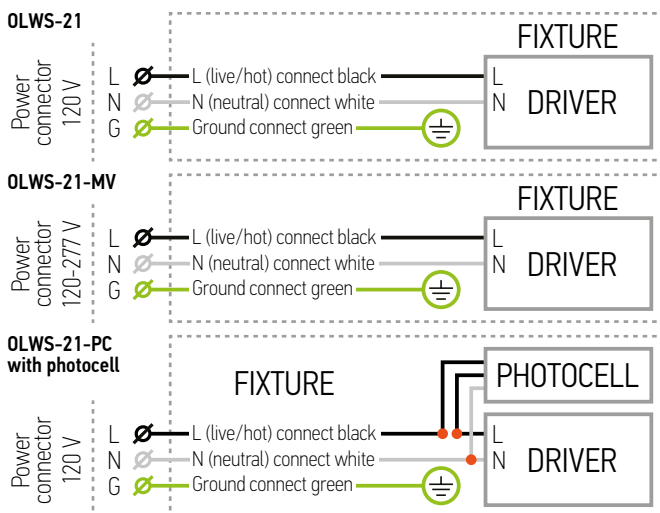
Risk of cuts: Wear gloves to prevent cuts or abrasions when removing from carton, handling, installing, and maintaining this product.

Risk of electric shock: This product must be installed in accordance with the applicable installation code by a person familiar with the construction and operation of the product and the hazards involved.

Risk of Fire: Minimum 194°F supply conductors. Consult a qualified electrician to ensure correct branch circuit conductor.

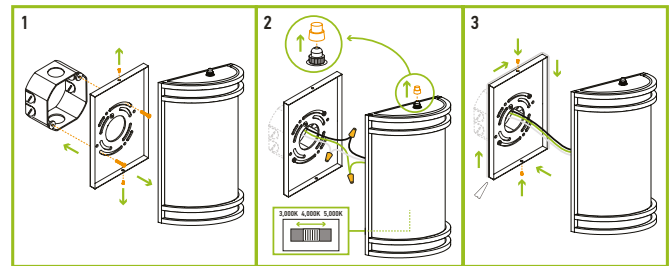
ASD® assumes no responsibility for claims arising out of improper or careless installation or handling of this product.

ELECTRICAL SCHEMATIC DIAGRAM:



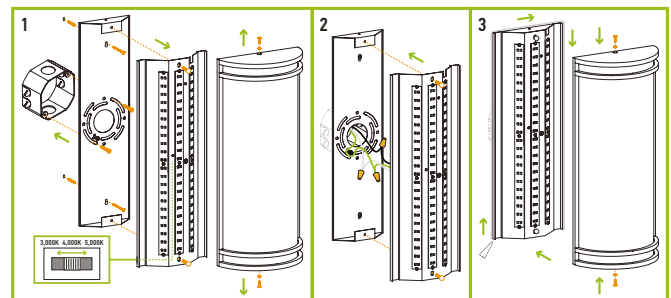
INSTALLATION STEPS FOR MODELS 10":

1. Unscrew the two fixture screws from the top and the bottom of the wall sconce. Remove the wall plate and attach it to the outlet box using two mounting screws.
2. Choose preferred color temperature by adjusting the switch position inside the fixture. Connect the wires: Black to Black, White to White, Ground to Ground. Secure the connection with wire nuts. Remove the photocell cap to make the dusk-to-dawn sensor operate.
3. Attach the fixture firmly to the wall plate and secure it with two fixture screws on the top and the bottom. For outdoor locations please use silicone (not included) as shown on a picture.



INSTALLATION STEPS FOR MODELS 18-24-36":

1. Unscrew the two fixture screws from the top and the bottom of the wall sconce. Remove the cover and bottom perforated plate, then unscrew two screws from LED panel, and detach it from the wall plate. Attach wall plate to the outlet box using two mounting screws and fit it on a wall with two or four additional screws (depending on model). Choose preferred color temperature by adjusting the switch position inside the fixture.
2. Connect the wires: Black to Black, White to White, Ground to Ground. Secure the connection with wire nuts. Attach the LED panel to the wall plate and secure it with two screws on the top and on the bottom.
3. Attach the cover and bottom perforated plate to the wall plate, and secure it with two screws on the top and on the bottom. For outdoor locations, please use silicone (not included) as shown on a picture.



* This fixture is not rated for heavy salt water exposure or high salt content in the air. It may cause parts of the fixture to Rust. Will void the warranty of the fixture if installed in a coastal area.

For most up-to-date spec sheets please refer to asd-lighting.com



LED OUTDOOR WALL SCONCE

ORDERING INFORMATION

Model	UPC	Pcs. per carton	Carton size	Carton weight	GTIN 14
OLWS-21					
ASD-OLWS-21-D15CC-NK	810050731379	4	12.4" x 18.9" x 10"	11.9 lbs	30810050731370
ASD-OLWS-21-10D15CC-NK-2PACK	810128112383	2	18.9" x 9.7" x 12.4"	11.3 lbs	10810128112380
ASD-OLWS-21-D15CC-BZ	810050731386	4	12.4" x 18.9" x 10"	11.9 lbs	30810050731387
ASD-OLWS-21-10D15CC-BZ-2PACK	810128112390	2	18.9" x 9.7" x 12.4"	11.3 lbs	10810128112397
ASD-OLWS-21-MV-18D20CC-NK	810128112789	2	20.3" x 9.7" x 10.4"	10.4 lbs	10810128112786
ASD-OLWS-21-MV-18D20CC-BZ	810128112772	2	20.3" x 9.7" x 10.4"	10.4 lbs	10810128112779
ASD-OLWS-21-MV-24D25CC-NK	810128112802	2	26.2" x 9.7" x 10.4"	12.4 lbs	10810128112809
ASD-OLWS-21-MV-24D25CC-BZ	810128112796	2	26.2" x 9.7" x 10.4"	12.4 lbs	10810128112793
ASD-OLWS-21-MV-36D30CC-NK	810128115711	2	38.2" x 9.7" x 10.4"	18.6 lbs	10810128115718
ASD-OLWS-21-MV-36D30CC-BK	810128115728	2	38.2" x 9.7" x 10.4"	18.6 lbs	10810128115725
OLWS-21-PC WITH PHOTOCELL					
ASD-OLWS-21-N15CC-PC-NK	810050737760	4	12.4" x 18.9" x 10"	11.9 lbs	10810050737767
ASD-OLWS-21-10N15CC-PC-NK-2PACK	810128113502	2	12.4" x 18.9" x 9.7"	11.3 lbs	10810128113509
ASD-OLWS-21-N15CC-PC-BZ	810050737753	4	12.4" x 18.9" x 10"	11.9 lbs	10810050737750
ASD-OLWS-21-10N15CC-PC-BZ-2PACK	810128111195	2	12.4" x 18.9" x 9.7"	11.3 lbs	10810128111192

ANNEX 1

Model	Watts	3,000 K	4,000 K	5,000 K
ASD-OLWS-21-D15CC-NK ASD-OLWS-21-10D15CC-NK-2PACK ASD-OLWS-21-D15CC-BZ ASD-OLWS-21-10D15CC-BZ-2PACK ASD-OLWS-21-N15CC-PC-NK ASD-OLWS-21-10N15CC-PC-NK-2PACK ASD-OLWS-21-N15CC-PC-BZ ASD-OLWS-21-10N15CC-PC-BZ-2PACK	15W	1,022 lm	1,098 lm	1,067 lm
ASD-OLWS-21-MV-18D20CC-NK ASD-OLWS-21-MV-18D20CC-BZ	20W	2,215 lm	2,457 lm	2,359 lm
ASD-OLWS-21-MV-24D25CC-NK ASD-OLWS-21-MV-24D25CC-BZ	25W	2,692 lm	3,017 lm	2,905 lm
ASD-OLWS-21-MV-36D30CC-NK ASD-OLWS-21-MV-36D30CC-BK	30W	2,972 lm	3,268 lm	3,159 lm

For most up-to-date spec sheets please refer to asd-lighting.com

ASD LIGHTING CORP

E-mail: orders@asd-lighting.com | Web site: www.asd-lighting.com

