



LED SECURITY FLOODLIGHT

► **DESIGN & OPTIONS** - LED SECURITY LIGHT WITH MOTION SENSOR is a great way to keep your home safe at night. 360° rotatable light heads allow you to direct light. When the motion sensor detects movement the fixture illuminates immediately, and the dusk to dawn function will turn the fixture on/off automatically depending on the time of day. It is also CCT selectable, letting you set it to either 3,000K, 4,000K, or 5,000K with a simple switch. It comes in 120-277V or 120V and a WHITE or BLACK finish.

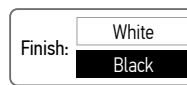
► **INSTALLATION** - This fixture comes with all necessary accessories for a quick and easy installation to your junction box. Refer to installation instructions for detailed steps.

► **APPLICATION** - The waterproof die-cast aluminum housing means this fixture is protected against severe weather in temperatures between -4°+131°F (-20°+55°C). This fixture is IP65 rated and is resistant to water and dust. This makes them perfect for both residential and commercial uses such as porches, backyards, front doors, garages, driveways, walkways, steps, workshops, industrial workstations, storage rooms, equipment rooms, and many other areas.

► **ENERGY SAVINGS & EFFICIENCY** - With a lifespan of 60,000 hours, these fixtures are made to last decades under normal operation! This fixture can cut your electric bill by up to 80% instantly and will save you a significant amount of money in its lifetime.

► **CERTIFICATION & WARRANTY** - Buy with confidence: ASD provides a 5-year limited warranty along with ETL certification to guarantee top quality products and safety!

Catalog number	
Notes	
Type	



Model	Head q-ty	Watts	Voltage	Dimmable	Lumens	CCT	Finish	Dimensions (LxWxH)
LSR/LSR3 ROUND HEADS								
ASD-LSR-20AC-WH	2 round heads	20W	120-277 V	-	1,850/2,036/2,040 lm	3CCT (3,000/4,000/5,000 K)	White	9-15/16" x 6-1/4" x 7-3/8"
ASD-LSR-20AC-BK	2 round heads	20W	120-277 V	-	1,850/2,036/2,040 lm	3CCT (3,000/4,000/5,000 K)	Black	9-15/16" x 6-1/4" x 7-3/8"
ASD-LSR3-25AC-WH	2 round heads	25W	120 V	-	2,135/2,289/2,115 lm	3CCT (3,000/4,000/5,000 K)	White	9-15/16" x 6-1/4" x 7-3/8"
ASD-LSR3-25AC-BK	2 round heads	25W	120 V	-	2,135/2,289/2,115 lm	3CCT (3,000/4,000/5,000 K)	Black	9-15/16" x 6-1/4" x 7-3/8"
LSR2 SQUARE HEADS								
ASD-LSR2-25AC-WH	2 square heads	25W	120-277 V	-	2,140/2,528/2,203 lm	3CCT (3,000/4,000/5,000 K)	White	9-3/4" x 7-3/16" x 6-3/4"
ASD-LSR2-25AC-BK	2 square heads	25W	120-277 V	-	2,140/2,528/2,203 lm	3CCT (3,000/4,000/5,000 K)	Black	9-3/4" x 7-3/16" x 6-3/4"

ORDERING INFORMATION

Model	UPC	Pcs. per carton	Carton size	Carton weight	GTIN 14
LSR/LSR3 ROUND HEADS					
ASD-LSR-20AC-WH	810050735957	8	16.7" x 15.6" x 12.8"	20.7 lb	30810050735958
ASD-LSR-20AC-BK	810050735964	8	16.7" x 15.6" x 12.8"	20.7 lb	30810050735965
ASD-LSR3-25AC-WH	810050738781	8	16.7" x 15.6" x 12.8"	20.7 lb	10810050738788
ASD-LSR3-25AC-BK	810050738798	8	16.7" x 15.6" x 12.8"	20.7 lb	10810050738795
LSR2 SQUARE HEADS					
ASD-LSR2-25AC-WH	810050735971	8	22.7" x 16.8" x 14"	22.5 lb	30810050735972
ASD-LSR2-25AC-BK	810050735988	8	22.7" x 16.8" x 14"	22.5 lb	30810050735989

For most up-to-date spec sheets please refer to asd-lighting.com



LED SECURITY FLOODLIGHT

PRODUCT SPECIFICATIONS:

Construction & Materials		
Housing	Aluminum	
Lens	PC	
Finish color	White, Black	
Weight	ASD-LSR-20AC-WH	1.8 lb (0.8 kg)
	ASD-LSR-20AC-BK	
	ASD-LSR3-25AC-WH	
	ASD-LSR3-25AC-BK	2 lb (0.9 kg)
	ASD-LSR2-25AC-WH	
ASD-LSR2-25AC-BK		
Environmental system		
Work environment	Suitable for Wet Locations, IP65	
Operating temperature	-4°F to 131°F (-20°C to 55°C)	
L-70 Life	> 60,000 hrs	for LSR: > 30,000 hrs
Optical system		
Luminous flux	ASD-LSR-20AC-WH	1,850/2,036/2,040 lm
	ASD-LSR-20AC-BK	
	ASD-LSR3-25AC-WH	2,135/2,289/2,115 lm
	ASD-LSR3-25AC-BK	
	ASD-LSR2-25AC-WH	2,140/2,528/2,203 lm
ASD-LSR2-25AC-BK		
Color temperature	3CCT (3,000/4,000/5,000 K)	
CRI	> 80	
Electrical system		
Input voltage	120-277 V	for LSR3: 120 V
Max input current	0.3 A	for LSR3: 0.35 A
Inrush current (Action time)	ASD-LSR-20AC-WH	6 A (0.42 S)
	ASD-LSR-20AC-BK	
	ASD-LSR3-25AC-WH	2.5 A (0.42 S)
	ASD-LSR3-25AC-BK	
	ASD-LSR2-25AC-WH	8 A (0.2 S)
ASD-LSR2-25AC-BK		
Off state power	0W	
Power consumption	25W	for LSR: 20W
Power factor	> 0.9	for LSR3: > 0.7
Output voltage	72 V	for LSR3: 108 V
Max output current	ASD-LSR-20AC-WH	280 mA
	ASD-LSR-20AC-BK	
	ASD-LSR3-25AC-WH	182 mA
	ASD-LSR3-25AC-BK	
	ASD-LSR2-25AC-WH	350 mA
ASD-LSR2-25AC-BK		
Surge protection DM/CM	2 kV	for LSR3: 0.5 kV / 1 kV
Regular and voluntary certifications		
5-year limited warranty	cETLus certified 5002143	

BUILT-IN MOTION SENSOR INFORMATION

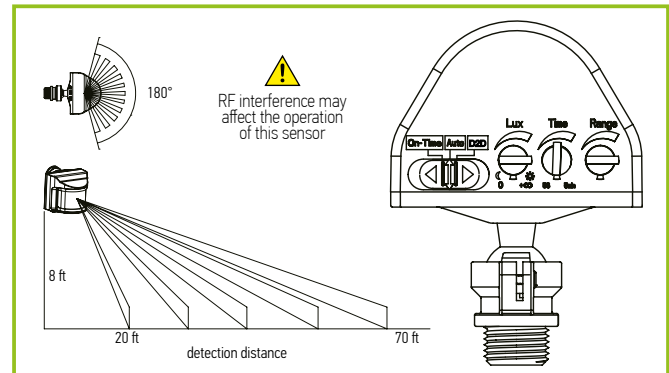
Sensor has three selectable modes:

On-Time: Motion sensor and daylight sensor -off, Light always on.

How to set: Sliding the "Arrow Line" to the "On-Time" mode, other knobs don't need to set.

Auto: When motion is detected in daytime, the indicator light inside the sensor blinks twice, but fixture will not come on. When motion is detected in darkness, the lights will turn on. **How to set:** Slide the "Arrow Line" to the "Auto" mode. Rotate the "Lux" knob counter-clockwise all the way to the left (to the minimum setting). Adjust hold-time by rotating "Time" knob. Adjust detection range by rotating "Range" knob. If you rotate clockwise all the way to the left (maximum setting), the light will remain on during the daytime and night.

D2D: The fixture will turn ON at dusk when the unit detects reduced light intensity (between 5-50 lux(0.5-4.7fc)). The fixture will turn OFF at dawn when the unit detects increased light intensity (between 35-400 lux(3.3-37fc)). The "D2D" Mode setting does not detect motion. **How to set:** slide the "Arrow Line" all the way to the right to the "D2D" mode. Rotating the "Lux" knob counter-clockwise all the way to the left (to the minimum setting). "Time" and "Range" don't need to set. The "D2D" Mode setting does not detect motion.

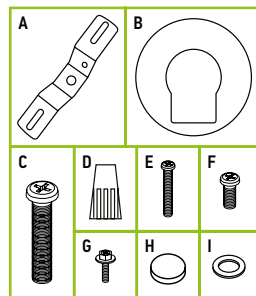


The fixture is set to "On-Time" mode by default.

Specifications	Model: RTGYQ-W40-180
Operating voltage	100 ~ 277 V/AC
Detection distance	19 ~ 69 ft (adjustable)
Installation height	3 -13 ft; Standard mounting height: 8 ft
Ambient light	0 - +∞ Lux (fc)
Hold-time	5 s - 5 min
Detection motion speed	0.6 - 1.5 m/s
Operating mode	On time/Auto/D2D
Detection range	Horizontal 180°, Vertical 90°

PACKAGE CONTENTS:

Description	Q-ty
LED Security Floodlight	1
Cross bar (A)	1
EVA gasket (B)	1
Bracket screw (C)	1
Wire nut (D)	3
Cross bar screw 3/4" (E)	2
Cross bar screw 3/8" (F)	2
Ground screw (G)	1
Decorative cap (H)	1
Rubber ring (I)	1
Box	1



For most up-to-date spec sheets please refer to asd-lighting.com



LED SECURITY FLOODLIGHT

INSTALLATION GUIDE

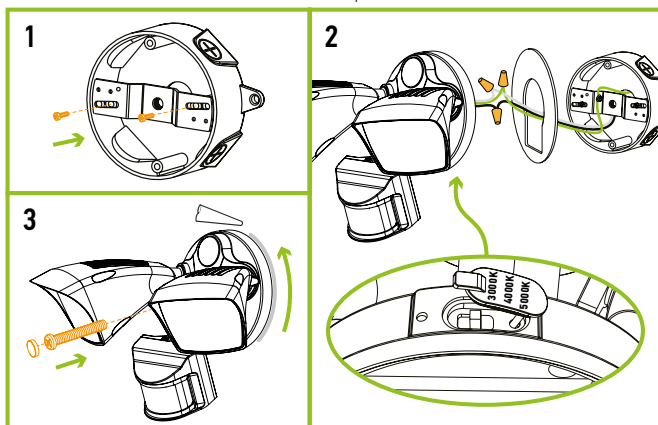
IMPORTANT SAFETY INFORMATION:

Please read all the instructions below before installation.

- ▶ Make sure that the supply voltage corresponds to the rated product voltage.
- ▶ The product must be installed by a qualified electrician in accordance with the National Electrical Code and corresponding local codes.
- ▶ If the product is damaged, do not use it.

INSTALLATION STEPS:

1. Attach crossbar to the outlet box using two mounting screws.
2. Thread the fixture wire through the gasket. Connect the wires: Black to Black, White to White, and Green wire reel up to the green screw. Screw up green screw into the hole on the cross bar. Secure the connection with wire nuts. Change the position of the CT switch on the housing to the desired color temperature.
3. Drive the bracket screw through the center hole of the fixture base to the crossbar and secure by tightening it. For outdoor locations it is recommended to use silicone (not included) as shown in the picture.



⚠ WARNING

RISK OF PERSONAL INJURY – READ and follow all WARNINGS and installation instructions. Keep or give to the owner for future reference.

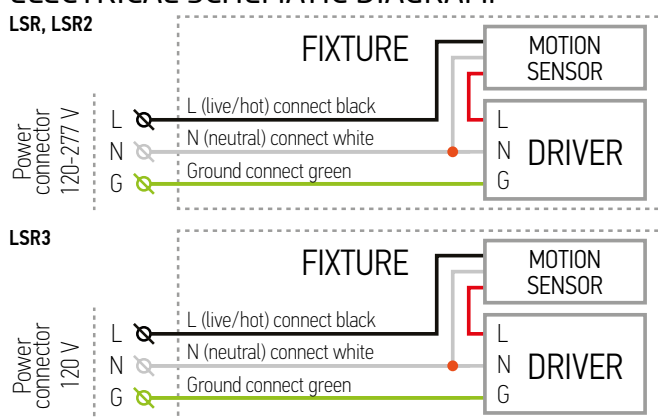
Risk of cuts: Wear gloves to prevent cuts or abrasions when removing from carton, handling, installing, and maintaining this product.

Risk of electric shock: This product must be installed in accordance with the applicable installation code by a person familiar with the construction and operation of the product and the hazards involved.

Risk of Fire: Minimum 194°F supply conductors. Consult a qualified electrician to ensure correct branch circuit conductor.

ASD® assumes no responsibility for claims arising out of improper or careless Installation or handling of this product.

ELECTRICAL SCHEMATIC DIAGRAM:



For most up-to-date spec sheets please refer to asd-lighting.com