



LED VANITY LINEAR LIGHT

Color Adjustable

► **DESIGN & OPTIONS** - LED VANITY LINEAR LIGHT has a sleek, modern design that allows you to have a stylish look with efficient lighting. The modern LED dimmers provide smooth dimming capabilities ranging 100% to 10%. This fixture includes a color adjustable option, letting you set it to 3000K, 4000K or 5000K with a simple switch. The 150° beam angle grants you smooth and even lighting. It comes in three sizes: 18", 24" and 36" with a BRUSHED NICKEL finish.

► **INSTALLATION** - Installation is quick and easy: just attach the mounting plate to the outlet box with screws, connect the wires, and fasten the fixture to the mounting plate. Screws, wire nuts and all installation accessories are provided. Can be installed both vertically and horizontally. Refer to install instructions for detailed steps.

► **APPLICATION** - This LED VANITY LINEAR LIGHT emits a bright light that is perfect for bathroom spaces. The fixture is Damp location rated. It can also be used as an additional light to an existing ceiling light.

► **ENERGY SAVING & EFFICIENCY** - Replacing an incandescent fixture with LED VANITY LINEAR LIGHT can save you up to 8 times as much on your energy costs. With a lifespan of 50,000 hours, these fixtures are made to last decades under normal operation! This fixture will save you a significant amount of money in its lifetime.

► **CERTIFICATION & WARRANTY** - Buy with confidence: ASD provides a 5-year warranty along with ETL and ENERGY STAR certifications to guarantee top quality products and safety!

Top US certifications allow participation in rebates; please check the rebate programs available in your state.

| | |
|----------------|--|
| Catalog number | |
| Notes | |
| Type | |



PRODUCT LEGEND:

| Family | Modification | Size | Dimmable | Watts | CCT | Finish |
|-------------------------|--------------|--------------|--------------|-----------|--------------------------|---------------------|
| ASD-LVF | 23 | XX | X | XX | XX | XX |
| LED Vanity Linear Light | | 18 = 18 inch | D = Dimmable | 20 = 20 W | CC = 3,000/4,000/5,000 K | NK = Brushed Nickel |
| | | 24 = 24 inch | | 25 = 25 W | | |
| | | 36 = 36 inch | | 30 = 30 W | | |

LED VANITY LINEAR LIGHT:

| Model | Size | Watts | Dimmable | CCT | Lumens | Dimensions (LxWxH) | UPS |
|----------------------|---------|-------|---------------|---------------------|----------|--------------------|--------------|
| ASD-LVF23-18D20CC-NK | 18 inch | 20 W | Triac 10-100% | 3,000/4,000/5,000 K | 1,500 lm | 18" x 4 1/2" x 3" | 810050731355 |
| ASD-LVF23-24D25CC-NK | 24 inch | 25 W | Triac 10-100% | 3,000/4,000/5,000 K | 1,750 lm | 24" x 4 1/2" x 3" | 810050731362 |
| ASD-LVF23-36D30CC-NK | 36 inch | 30 W | Triac 10-100% | 3,000/4,000/5,000 K | 2,100 lm | 36" x 4 1/2" x 3" | 810050732253 |

ORDERING INFORMATION:

| Model | Pcs in middle box | Middle box Size | Middle box Weight | GTIN 14 for Middle box | Pcs. per Carton | Carton Size | Carton Weight | GTIN 14 for Carton |
|----------------------|-------------------|---------------------|-------------------|------------------------|-----------------|----------------------|---------------|--------------------|
| ASD-LVF23-18D20CC-NK | 2 | 20.1" x 5.3" x 8.5" | 4.3 lb | 10810050731352 | 4 | 20.7" x 11.4" x 9.1" | 9.4 lb | 20810050731359 |
| ASD-LVF23-24D25CC-NK | 2 | 26" x 5.3" x 8.5" | 5.2 lb | 10810050731369 | 4 | 26.6" x 11.4" x 9.1" | 11.6 lb | 20810050731366 |
| ASD-LVF23-36D30CC-NK | 2 | 38" x 5.3" x 8.5" | 6.7 lb | 10810050732250 | 4 | 38.6" x 11.4" x 9.1" | 15.1 lb | 20810050732257 |

For most up-to-date spec sheets please refer to asd-lighting.com

ASD LIGHTING CORP

E-mail: orders@asd-lighting.com | Web site: www.asd-lighting.com





LED VANITY LINEAR LIGHT

Color Adjustable

PRODUCT SPECIFICATIONS:

| Construction & Materials | | Electrical System | | |
|--------------------------------------|-------------------------------|------------------------------------|------------------------------|--------------------------------------|
| Housing | Steel | Input Voltage | 120 V | |
| Lens | White Acrylic | Max input current | ASD-LVF23-18D20CC-NK 0.19 A | |
| Finish Color | Brushed Nickel | | ASD-LVF23-24D25CC-NK 0.28 A | |
| | | | ASD-LVF23-36D30CC-NK 0.27 A | |
| Weight | ASD-LVF23-18D20CC-NK | 1.3 lb (0.6 kg) | Inrush current (Action time) | |
| | ASD-LVF23-24D25CC-NK | 1.6 lb (0.7 kg) | | ASD-LVF23-18D20CC-NK 0.165 A (0.1 S) |
| | ASD-LVF23-36D30CC-NK | 2.1 lb (0.9 kg) | | ASD-LVF23-24D25CC-NK 0.208 A (0.1 S) |
| ASD-LVF23-36D30CC-NK 0.25 A (0.1 S) | | AC input range min 108 V max 132 V | | |
| Environmental System | | Off State Power 0 W | | |
| Work Environment | Suitable for Damp Locations | Power Consumption | ASD-LVF23-18D20CC-NK 20 W | |
| Operating Temperature | -4°F to 113°F (-20°C to 45°C) | | ASD-LVF23-24D25CC-NK 25 W | |
| L-70 Life | > 50,000 hrs | | ASD-LVF23-36D30CC-NK 30 W | |
| Optical System | | Power Factor | > 0.9 | |
| Luminous Flux | ASD-LVF23-18D20CC-NK | 1,500 lm | LED Driver Class | DOB |
| | ASD-LVF23-24D25CC-NK | 1,750 lm | | |
| | ASD-LVF23-36D30CC-NK | 2,100 lm | | |
| Color Temperature | 3,000/4,000/5,000 K | | | |
| CRI | > 80 | | | |
| Dimming range | | | | |
| 10-100% | | | | |
| Dimming compatible controls | | | | |
| Brand | Lutron | | | |
| Models | DVCL-153P | PD-6WCL | CTCL-153P | |
| | TGCL-153P | 6672 | 6674 | |
| Regular and Voluntary Certifications | | | | |
| 5-year limited warranty | | | | |
| cETLus certified 4001256 | | | | |
| Energy Star listed | | | | |

PACKAGE CONTENTS:

| Description | Q-ty | Image | |
|-------------------------|------|-------|--|
| LED Vanity Linear Light | 1 | A | |
| Mounting bracket (A) | 1 | B | |
| Wire nuts (B) | 3 | C | |
| ¼ inch Screws (C) | 2 | | |
| Box | 1 | | |
| Cut sheet | 2 | | |

INSTALLATION GUIDE

IMPORTANT SAFETY INFORMATION:

Please read all the instructions below before installation.

- ▶ Make sure that the supply voltage corresponds to the rated product voltage.
- ▶ The product must be installed by a qualified electrician in accordance with the National Electrical Code and corresponding local codes.
- ▶ If the product is damaged, do not use it.

⚠ WARNING

RISK OF PERSONAL INJURY – READ and follow all WARNINGS and installation instructions.

Keep or give to the owner for future reference.

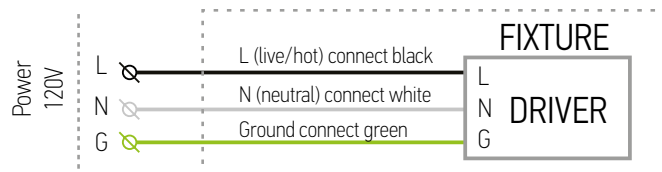
Risk of cuts: Wear gloves to prevent cuts or abrasions when removing from carton, handling, installing, and maintaining this product.

Risk of electric shock: This product must be installed in accordance with the applicable installation code by a person familiar with the construction and operation of the product and the hazards involved.

Risk of Fire: Minimum 194°F supply conductors. Consult a qualified electrician to ensure correct branch circuit conductor.

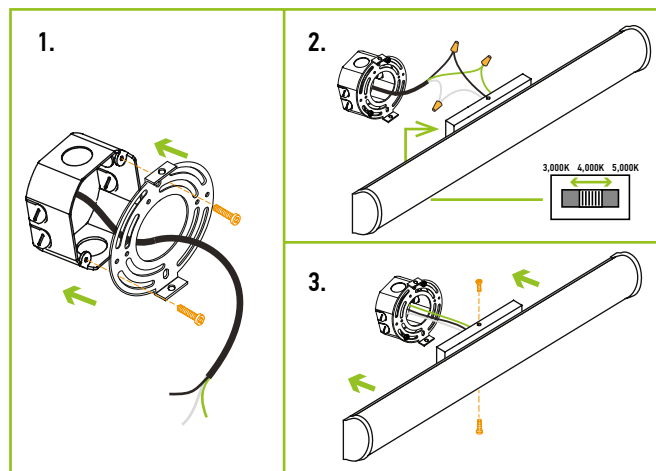
ASD® assumes no responsibility for claims arising out of improper or careless Installation or handling of this product.

ELECTRICAL SCHEMATIC DIAGRAM:



INSTALLATION STEPS:

1. Pull the power supply wires out of the outlet box. Attach the mounting bracket to the outlet box (not included) using the mounting screws.
2. Connect the wires: black to black, white to white, green to green. Secure the connection with wire nuts. Choose needed color temperature by adjusting switch position on the backside of the fixture.
3. Place the fixture backplate of the fixture body over the mounting bracket. Insert the fixture screws and tighten to secure the fixture body on the surface.



For most up-to-date spec sheets please refer to asd-lighting.com

ASD LIGHTING CORP

E-mail: orders@asd-lighting.com | Web site: www.asd-lighting.com

