



LED DOUBLE RING FLUSHMOUNT

► **DESIGN** - LED DOUBLE RING FLUSHMOUNT has a modern, multipurpose design and a stylish look with efficient lighting. Durable housing resistant to rust and impact along with an acrylic lens provide many years of use. It is designed to operate on 120V or 120-277V circuits.

► **COLOR SELECTABLE** - You can choose either a 3,000K warm white, 4,000K cool white or 5,000K daylight color temperature.

► **BATTERY BACK-UP** - The built-in battery back-up provide 90 minutes of power in case of emergency.

► **MOTION SENSOR** - The built-in microwave motion sensor will turn off the fixture automatically when no motion is detected.

► **DIMMING** - Smooth triac dimming capabilities ranging from 10% to 100% with modern LED dimmers allow you to control the look and feel of your space.

► **APPLICATION** - The LED DOUBLE RING FLUSHMOUNT provides bright, yet smooth lighting for your family room, bedroom, hallway, corridor, or any other common areas. 2.75" and 3.5" mounting holes help you expand your installation options. This fixture is also Damp Locations rated.

► **ADVANTAGES** - With a lifespan of 50,000 hours, these fixtures are made to last decades under normal operation! ASD provides a 5-year limited warranty along with ETL and Energy Star certifications to guarantee top quality products and safety.

Catalog number	
Notes	
Type	



Finish:	Nickel
	Bronze
	Black

Model	Size	Watts	Voltage	Dimmable	Lumens	CCT	Finish	Dimensions (LxWxH)	Option
ASD-LFMDR-10D16CC-NK	10 inch	16W	120 V	TRIAC	965/1,041/1,016 lm	3CCT (3,000/4,000/5,000 K)	Nickel	10-5/16" x 10-5/16" x 3-1/2"	-
ASD-LFMDR-12D15CC-NK	12 inch	15W	120 V	TRIAC	1,050/1,094/1,045 lm	3CCT (3,000/4,000/5,000 K)	Nickel	11-13/16" x 11-13/16" x 3-1/8"	-
ASD-LFMDR-12D15CC-BZ	12 inch	15W	120 V	TRIAC	1,050/1,094/1,045 lm	3CCT (3,000/4,000/5,000 K)	Oil rubbed bronze	11-13/16" x 11-13/16" x 3-1/8"	-
ASD-LFMDR-12D20CC-NK	12 inch	20W	120 V	TRIAC	1,400/1,532/1,474 lm	3CCT (3,000/4,000/5,000 K)	Nickel	11-13/16" x 11-13/16" x 3-1/8"	-
ASD-LFMDR-MV-12D20CC-NK	12 inch	20W	120-277 V	TRIAC	1,400/1,580/1,450 lm	3CCT (3,000/4,000/5,000 K)	Nickel	11-13/16" x 11-13/16" x 3-1/8"	-
ASD-LFMDR-12D20CC-BK	12 inch	20W	120 V	TRIAC	1,400/1,532/1,474 lm	3CCT (3,000/4,000/5,000 K)	Black	11-13/16" x 11-13/16" x 3-1/8"	-
ASD-LFMDR-14D21CC-NK	14 inch	21W	120 V	TRIAC	1,470/1,675/1,654 lm	3CCT (3,000/4,000/5,000 K)	Nickel	14" x 14" x 3-9/16"	-
ASD-LFMDR-MV-14D21CC-NK	14 inch	21W	120-277 V	TRIAC	1,500/1,725/1,621 lm	3CCT (3,000/4,000/5,000 K)	Nickel	14" x 14" x 3-9/16"	-
ASD-LFMDR-14D21CC-BZ	14 inch	21W	120 V	TRIAC	1,470/1,675/1,654 lm	3CCT (3,000/4,000/5,000 K)	Oil rubbed bronze	14" x 14" x 3-9/16"	-
ASD-LFMDR-14D21CC-BK	14 inch	21W	120 V	TRIAC	1,470/1,675/1,654 lm	3CCT (3,000/4,000/5,000 K)	Black	14" x 14" x 3-9/16"	-
ASD-LFMDR-16D24CC-NK	16 inch	24W	120 V	TRIAC	1,680/1,843/1,854 lm	3CCT (3,000/4,000/5,000 K)	Nickel	15-3/4" x 15-3/4" x 3-3/4"	-
ASD-LFMDR-MV-16D24CC-NK	16 inch	24W	120-277 V	TRIAC	1,895/2,118/1,968 lm	3CCT (3,000/4,000/5,000 K)	Nickel	15-3/4" x 15-3/4" x 3-3/4"	-
ASD-LFMDR-16D24CC-BZ	16 inch	24W	120 V	TRIAC	1,680/1,843/1,854 lm	3CCT (3,000/4,000/5,000 K)	Oil rubbed bronze	15-3/4" x 15-3/4" x 3-3/4"	-
ASD-LFMDR-16D24CC-BK	16 inch	24W	120 V	TRIAC	1,680/1,843/1,854 lm	3CCT (3,000/4,000/5,000 K)	Black	15-3/4" x 15-3/4" x 3-3/4"	-
ASD-LFMDR-18D28CC-NK	18 inch	28W	120 V	TRIAC	1,960/2,230/2,190 lm	3CCT (3,000/4,000/5,000 K)	Nickel	17-11/16" x 17-11/16" x 4-1/16"	-
ASD-LFMDR-MV-18D28CC-NK	18 inch	28W	120-277 V	TRIAC	2,458/2,744/2,563 lm	3CCT (3,000/4,000/5,000 K)	Nickel	17-11/16" x 17-11/16" x 4-1/16"	-
ASD-LFMDR-18D28CC-BZ	18 inch	28W	120 V	TRIAC	1,960/2,230/2,190 lm	3CCT (3,000/4,000/5,000 K)	Oil rubbed bronze	17-11/16" x 17-11/16" x 4-1/16"	-
ASD-LFMDR-18D28CC-BK	18 inch	28W	120 V	TRIAC	1,960/2,230/2,190 lm	3CCT (3,000/4,000/5,000 K)	Black	17-11/16" x 17-11/16" x 4-1/16"	-
LFMDR-MS WITH MOTION SENSOR									
ASD-LFMDR-MV-12N15CC-MS-NK	12 inch	15W	120-277 V	-	1,300/1,402/1,346 lm	3CCT (3,000/4,000/5,000 K)	Nickel	12" x 12" x 3-1/8"	Motion sensor
ASD-LFMDR-MV-14N21CC-MS-NK	14 inch	21W	120-277 V	-	1,500/1,725/1,621 lm	3CCT (3,000/4,000/5,000 K)	Nickel	14" x 14" x 3-1/2"	Motion sensor
LFMDR-EM WITH BATTERY BACK-UP									
ASD-LFMDR-MV-12D15CC-EM-NK	12 inch	15W	120-277 V	TRIAC	1,325/1,420/1,362 lm	3CCT (3,000/4,000/5,000 K)	Nickel	11-13/16" x 11-13/16" x 4-5/16"	6W Battery back-up
ASD-LFMDR-MV-12D20CC-EM-NK	12 inch	20W	120-277 V	TRIAC	1,618/1,876/1,760 lm	3CCT (3,000/4,000/5,000 K)	Nickel	11-13/16" x 11-13/16" x 4-5/16"	12W Battery back-up
ASD-LFMDR-MV-14D21CC-EM-NK	14 inch	21W	120-277 V	TRIAC	1,656/1,854/1,789 lm	3CCT (3,000/4,000/5,000 K)	Nickel	13-3/4" x 13-3/4" x 4-11/16"	12W Battery back-up
ASD-LFMDR-MV-16D24CC-EM-NK	16 inch	24W	120-277 V	TRIAC	1,889/2,116/1,964 lm	3CCT (3,000/4,000/5,000 K)	Nickel	15-3/4" x 15-3/4" x 4-3/4"	12W Battery back-up

For most up-to-date spec sheets please refer to asd-lighting.com



LED DOUBLE RING FLUSHMOUNT

PRODUCT SPECIFICATIONS:

Construction & Materials							
Housing	Steel						
Lens	Acrylic						
Finish	Nickel, Oil rubbed bronze, Black						
Weight	ASD-LFMDR-10D16CC-NK	1.3 lbs (0.6 kg)	ASD-LFMDR-14D21CC-BZ	2.5 lbs (1.1 kg)	ASD-LFMDR-18D28CC-BZ	4.3 lbs (2 kg)	
	ASD-LFMDR-12D15CC-NK	1.7 lbs (0.8 kg)	ASD-LFMDR-14D21CC-BK	3 lbs (1.4 kg)	ASD-LFMDR-18D28CC-BK	1.8 lbs (0.8 kg)	
	ASD-LFMDR-12D15CC-BZ		ASD-LFMDR-16D24CC-NK		ASD-LFMDR-MV-12N15CC-MS-NK		2.6 lbs (1.2 kg)
	ASD-LFMDR-12D20CC-NK	1.6 lbs (0.7 kg)	ASD-LFMDR-MV-16D24CC-NK	4.3 lbs (2 kg)	ASD-LFMDR-MV-14N21CC-MS-NK	3.3 lbs (1.5 kg)	
	ASD-LFMDR-MV-12D20CC-NK		ASD-LFMDR-16D24CC-BZ		ASD-LFMDR-MV-12D15CC-EM-NK	2.4 lbs (1.1 kg)	
	ASD-LFMDR-12D20CC-BK	1.7 lbs (0.8 kg)	ASD-LFMDR-16D24CC-BK	4.3 lbs (2 kg)	ASD-LFMDR-MV-12D20CC-EM-NK	4.1 lbs (1.9 kg)	
	ASD-LFMDR-14D21CC-NK	2.5 lbs (1.1 kg)	ASD-LFMDR-18D28CC-NK		ASD-LFMDR-MV-14D21CC-EM-NK	4.9 lbs (2.2 kg)	
	ASD-LFMDR-MV-14D21CC-NK			ASD-LFMDR-MV-18D28CC-NK			
Environmental system							
Work environment	Suitable for Damp Locations						
Operating temperature	-4°F to 113°F (-20°C to 45°C)						
L-70 Life	> 50,000 hrs						
Optical system							
Luminous flux	ASD-LFMDR-10D16CC-NK	965/1,041/1,016 lm	ASD-LFMDR-14D21CC-BZ	1,470/1,675/1,654 lm	ASD-LFMDR-18D28CC-BZ	1,960/2,230/2,190 lm	
	ASD-LFMDR-12D15CC-NK	1,050/1,094/1,045 lm	ASD-LFMDR-14D21CC-BK	1,680/1,843/1,854 lm	ASD-LFMDR-18D28CC-BK	1,300/1,402/1,346 lm	
	ASD-LFMDR-12D15CC-BZ		ASD-LFMDR-16D24CC-NK		ASD-LFMDR-MV-12N15CC-MS-NK		1,500/1,725/1,621 lm
	ASD-LFMDR-12D20CC-NK	1,400/1,532/1,474 lm	ASD-LFMDR-MV-16D24CC-NK	1895/2118/1968 lm	ASD-LFMDR-MV-14N21CC-MS-NK	1,325/1,420/1,362 lm	
	ASD-LFMDR-MV-12D20CC-NK	1,400/1,580/1,450 lm	ASD-LFMDR-16D24CC-BZ	1,680/1,843/1,854 lm	ASD-LFMDR-MV-12D15CC-EM-NK	1,618/1,876/1,760 lm	
	ASD-LFMDR-12D20CC-BK	1,400/1,532/1,474 lm	ASD-LFMDR-16D24CC-BK		ASD-LFMDR-MV-12D20CC-EM-NK	1,656/1,854/1,789 lm	
	ASD-LFMDR-14D21CC-NK	1,470/1,675/1,654 lm	ASD-LFMDR-18D28CC-NK	1,960/2,230/2,190 lm	ASD-LFMDR-MV-14D21CC-EM-NK	1,889/2,116/1,964 lm	
	ASD-LFMDR-MV-14D21CC-NK	1,500/1,725/1,621 lm	ASD-LFMDR-MV-18D28CC-NK	2,458/2,744/2,563 lm	ASD-LFMDR-MV-16D24CC-EM-NK		
Color temperature	3000/4000/5000 K, 3000 K by default						
CRI	> 80						
Electrical system							
Input voltage	120 V for MV models: 120-277 V						
Max input current	ASD-LFMDR-10D16CC-NK	0.175 A	ASD-LFMDR-14D21CC-BZ	0.2 A	ASD-LFMDR-18D28CC-BZ	0.25 A	
	ASD-LFMDR-12D15CC-NK	0.15 A	ASD-LFMDR-14D21CC-BK	0.25 A	ASD-LFMDR-18D28CC-BK	0.15 A	
	ASD-LFMDR-12D15CC-BZ		ASD-LFMDR-MV-16D24CC-NK		ASD-LFMDR-MV-12N15CC-MS-NK		0.35 A
	ASD-LFMDR-12D20CC-NK	0.19 A	ASD-LFMDR-MV-16D24CC-NK	0.6 A	ASD-LFMDR-MV-14N21CC-MS-NK	0.3 A	
	ASD-LFMDR-MV-12D20CC-NK	0.6 A	ASD-LFMDR-16D24CC-BZ	0.25 A	ASD-LFMDR-MV-12D15CC-EM-NK	0.18 A	
	ASD-LFMDR-12D20CC-BK	0.19 A	ASD-LFMDR-16D24CC-BK		ASD-LFMDR-MV-12D20CC-EM-NK	0.4 A	
	ASD-LFMDR-14D21CC-NK	0.2 A	ASD-LFMDR-18D28CC-NK	0.5 A	ASD-LFMDR-MV-14D21CC-EM-NK	0.2 A (0.1 S)	
	ASD-LFMDR-MV-14D21CC-NK	0.6 A	ASD-LFMDR-MV-18D28CC-NK		ASD-LFMDR-MV-16D24CC-EM-NK		
Inrush current (Action time)	ASD-LFMDR-10D16CC-NK	0.13 A (0.1 S)	ASD-LFMDR-14D21CC-BZ	0.175 A (0.1 S)	ASD-LFMDR-18D28CC-BZ	0.23 A (0.1 S)	
	ASD-LFMDR-12D15CC-NK	0.125 A (0.1 S)	ASD-LFMDR-14D21CC-BK	0.2 A (0.1 S)	ASD-LFMDR-18D28CC-BK	0.12 A (0.1 S)	
	ASD-LFMDR-12D15CC-BZ		ASD-LFMDR-16D24CC-NK		ASD-LFMDR-MV-12N15CC-MS-NK		0.17 A (0.1 S)
	ASD-LFMDR-12D20CC-NK	0.167 A (0.1 S)	ASD-LFMDR-MV-16D24CC-NK	0.3 A (0.1 S)	ASD-LFMDR-MV-14N21CC-MS-NK	0.12 A (0.1 S)	
	ASD-LFMDR-MV-12D20CC-NK	0.2 A (0.1 S)	ASD-LFMDR-16D24CC-BZ	0.2 A (0.1 S)	ASD-LFMDR-MV-12D15CC-EM-NK	0.17 A (0.1 S)	
	ASD-LFMDR-12D20CC-BK	0.167 A (0.1 S)	ASD-LFMDR-16D24CC-BK		ASD-LFMDR-MV-12D20CC-EM-NK	0.2 A (0.1 S)	
	ASD-LFMDR-14D21CC-NK	0.175 A (0.1 S)	ASD-LFMDR-18D28CC-NK	0.23 A (0.1 S)	ASD-LFMDR-MV-14D21CC-EM-NK	0.2 A (0.1 S)	
	ASD-LFMDR-MV-14D21CC-NK	0.2 A (0.1 S)	ASD-LFMDR-MV-18D28CC-NK	0.25 A (0.1 S)	ASD-LFMDR-MV-16D24CC-EM-NK		
Off state power	0W						
Power consumption	ASD-LFMDR-10D16CC-NK	16W	ASD-LFMDR-14D21CC-BZ	21W	ASD-LFMDR-18D28CC-BZ	28W	
	ASD-LFMDR-12D15CC-NK	15W	ASD-LFMDR-14D21CC-BK	24W	ASD-LFMDR-18D28CC-BK	15W	
	ASD-LFMDR-12D15CC-BZ		ASD-LFMDR-16D24CC-NK		ASD-LFMDR-MV-12N15CC-MS-NK		21W
	ASD-LFMDR-12D20CC-NK	20W	ASD-LFMDR-MV-16D24CC-NK	28W	ASD-LFMDR-MV-14N21CC-MS-NK	15W	
	ASD-LFMDR-MV-12D20CC-NK		ASD-LFMDR-16D24CC-BZ		ASD-LFMDR-MV-12D15CC-EM-NK	20W	
	ASD-LFMDR-12D20CC-BK	21W	ASD-LFMDR-16D24CC-BK	24W	ASD-LFMDR-MV-12D20CC-EM-NK	21W	
	ASD-LFMDR-14D21CC-NK		ASD-LFMDR-18D28CC-NK		ASD-LFMDR-MV-14D21CC-EM-NK	21W	
	ASD-LFMDR-MV-14D21CC-NK		ASD-LFMDR-MV-18D28CC-NK		ASD-LFMDR-MV-16D24CC-EM-NK	24W	
Power factor	> 0.9						
Output voltage	ASD-LFMDR-10D16CC-NK	-	ASD-LFMDR-14D21CC-BZ	25-40 V	ASD-LFMDR-18D28CC-BZ	-	
	ASD-LFMDR-12D15CC-NK		ASD-LFMDR-14D21CC-BK		ASD-LFMDR-18D28CC-BK		
	ASD-LFMDR-12D15CC-BZ	25-40 V	ASD-LFMDR-16D24CC-NK	-	ASD-LFMDR-MV-12N15CC-MS-NK	30-38 V	
	ASD-LFMDR-12D20CC-NK		ASD-LFMDR-MV-16D24CC-NK		ASD-LFMDR-MV-14N21CC-MS-NK		
	ASD-LFMDR-MV-12D20CC-NK	25-40 V	ASD-LFMDR-16D24CC-BZ	-	ASD-LFMDR-MV-12D15CC-EM-NK	25-37 V	
	ASD-LFMDR-12D20CC-BK	-	ASD-LFMDR-16D24CC-BK		ASD-LFMDR-MV-12D20CC-EM-NK	36 V	
	ASD-LFMDR-14D21CC-NK		25-40 V	ASD-LFMDR-18D28CC-NK	25-37 V	ASD-LFMDR-MV-14D21CC-EM-NK	
	ASD-LFMDR-MV-14D21CC-NK		ASD-LFMDR-MV-18D28CC-NK			ASD-LFMDR-MV-16D24CC-EM-NK	

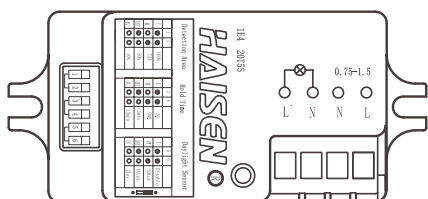
For most up-to-date spec sheets please refer to asd-lighting.com



LED DOUBLE RING FLUSHMOUNT

Electrical system							
Max output current	ASD-LFMDR-10D16CC-NK	-	ASD-LFMDR-14D21CC-BZ	-	ASD-LFMDR-18D28CC-BZ	-	
	ASD-LFMDR-12D15CC-NK		ASD-LFMDR-14D21CC-BK		ASD-LFMDR-18D28CC-BK		
	ASD-LFMDR-12D15CC-BZ		ASD-LFMDR-16D24CC-NK		ASD-LFMDR-MV-12N15CC-MS-NK		0.35 A
	ASD-LFMDR-12D20CC-NK		ASD-LFMDR-MV-16D24CC-NK		ASD-LFMDR-MV-14N21CC-MS-NK		0.58 A
	ASD-LFMDR-MV-12D20CC-NK		ASD-LFMDR-16D24CC-BZ		ASD-LFMDR-MV-12D15CC-EM-NK		0.35 A
	ASD-LFMDR-12D20CC-BK		ASD-LFMDR-16D24CC-BK		ASD-LFMDR-MV-12D20CC-EM-NK		0.6 A
	ASD-LFMDR-14D21CC-NK		ASD-LFMDR-18D28CC-NK		ASD-LFMDR-MV-14D21CC-EM-NK		
Surge protection DM/CM	1.25 kV / 1.25 kV		ASD-LFMDR-MV-18D28CC-NK	0.7 A	ASD-LFMDR-MV-16D24CC-EM-NK		
for MV models: 1.5 kV / 1.5 kV							
Dimming compatible controls							
Brand	Lutron			Leviton			
Models	MACL-153MLH-WH	STCL-153PH-WH	PD-6WCL-WH-R	DVCL-153PR	P-PKG1W	R02-DW6HD-2RW R00-RNL06-0TW R68-06674-POT DSL06	
Dimming range				Regular and voluntary certifications			
10-100%				5-year limited warranty Energy Star listed (except EM models) cETLus certified 4001256			

BUILT-IN MOTION SENSOR INFORMATION

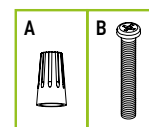


Specifications	Model: HD401S 1
Operating voltage	120-277 V
Switching capacity	max 200W (control gear) max 400W (incandescent lamp)
Standby power	< 1W
Detection area	10 %/50 %/75 %/100 %
Hold-time	5 s/90 s/5 min/15 min
Daylight threshold	2 lux (0.2 fc)/10 lux (0.9 fc)/50 lux (4.7 fc)/disable
Microwave frequency	5.8 GHz ± 75 MHz
Microwave power	< 0.3 mW
Interfaces	4 - pole pluggable clamp terminal (L,N,N,L) for 1.5 mm 2 cable
Mounting height	max 39.4 ft (11.9 m)
Detection range	max 52.5 x 39.4 ft (15.8 x 11.9 m) (ceiling mounted)
Operating temperature	-4 to 158°F (-20 to 70°C)
IP rating	IP20
Size	3.2' x 1.4' x 0.9'

 RF interference may affect the operation of this sensor

PACKAGE CONTENTS:

Description	Q-ty
LED Double Ring Flushmount	1
Wire nut (A)	3
Screw (B)	2
Box	1



DEFAULT SETTING:

Detection area	Hold time	Daylight sensor	Stand-by period	Stand-by dim level
100 %	10 min	Disable	0 S	10 %

ON ↑	1	2	
I	ON	ON	100 %
II	-	ON	75 %
III	ON	-	50 %
IV	-	-	10 %

ON ↑	3	4	
I	ON	ON	5 s
II	-	ON	90 s
III	ON	-	5 min
IV	-	-	15 min

ON ↑	5	6	
I	ON	ON	Disable
II	-	ON	50 lux (4.7 fc)
III	ON	-	10 lux (0.9 fc)
IV	-	-	2 lux (0.2 fc)

Detection area:

Detection area means detection coverage. It can be adjusted by combining DIP switches for specific application.

Hold time:

Hold-time is the time period the light will be ON after the last detection.

Daylight threshold:

Daylight sensor priors to motion sensor. Set threshold for specific needs. If set on "Disable" only the motion sensor will work.

For most up-to-date spec sheets please refer to asd-lighting.com



LED DOUBLE RING FLUSHMOUNT

BUILT-IN BATTERY BACK-UP INFORMATION

Model	Battery watts	Lumens in emergency mode	Battery capacity	Emergency mode	Charging time
ASD-LFMDR-MV-12D15CC-EM-NK	6W	644 lm	2,200 mAh	90 > min	8 hours
ASD-LFMDR-MV-12D20CC-EM-NK	12W	1000 lm	2,200 mAh	90 > min	8 hours
ASD-LFMDR-MV-14D21CC-EM-NK	12W	826 lm	2,200 mAh	90 > min	8 hours
ASD-LFMDR-MV-16D24CC-EM-NK	12W	826 lm	2,200 mAh	90 > min	8 hours

Operating condition	Charging	Emergency mode	Test switch
ON	Blinking	OFF	

- Indicator light is ON: Battery back-up fully charged and device is using circuit power.
- Indicator light is Blinking: Battery back-up recharging and device is using circuit power.
- Indicator light is OFF: Device is using battery back-up power.
- In order to test the battery back-up press the test switch one time. To turn off the emergency power state press test switch one more time.

Specifications	
Input voltage	100-277 V 50/60 Hz
AC Input current	max 110 mA
AC Input power rating	max 5.0W
Output current and voltage	200 mA 20-36 Vdc 360 mA 20-36 Vdc
Output power	6W 12W
Lumens	400 lm 800 lm
Emergency time	min 90 minutes
Warranty	5 years
Indicator light	Illuminated test switch
Battery	Li-ion battery - 11.1 V/2200 mAh
Battery charging current	440 mA
Charging time	8 hours
Temperature rating (Ambient)	32°F to 113°F (0°C to 45°C)

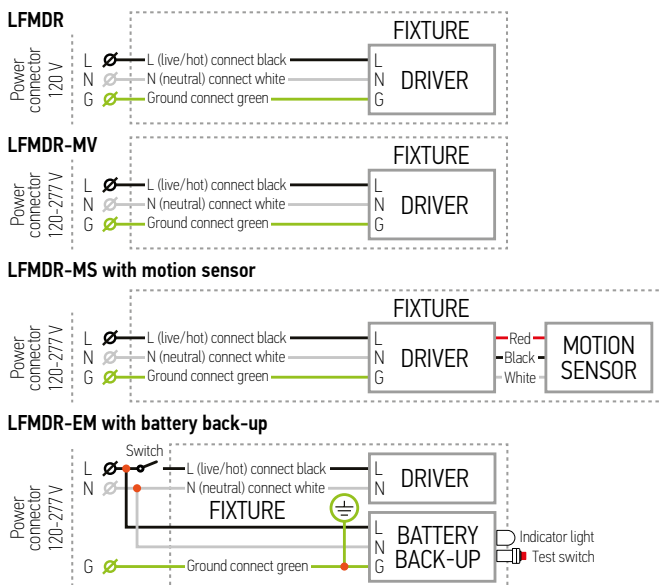
INSTALLATION GUIDE

IMPORTANT SAFETY INFORMATION:

Please read all the instructions below before installation.

- Make sure that the supply voltage corresponds to the rated product voltage.
- The product must be installed by a qualified electrician in accordance with the National Electrical Code and corresponding local codes.
- If the product is damaged, do not use it.

ELECTRICAL SCHEMATIC DIAGRAM:

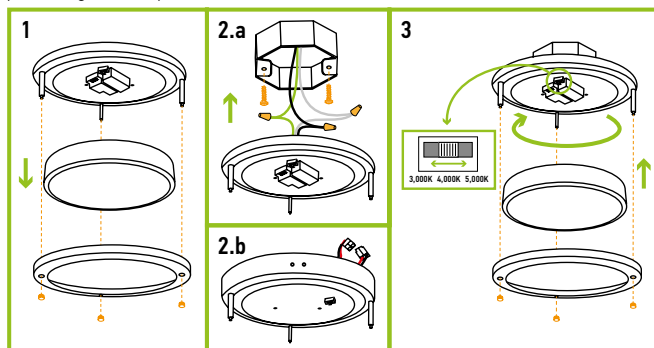


⚠ WARNING

RISK OF PERSONAL INJURY – READ and follow all WARNINGS and installation instructions. Keep or give to the owner for future reference.
Risk of cuts: Wear gloves to prevent cuts or abrasions when removing from carton, handling, installing, and maintaining this product.
Risk of electric shock: This product must be installed in accordance with the applicable installation code by a person familiar with the construction and operation of the product and the hazards involved.
Risk of Fire: Minimum 194°F supply conductors. Consult a qualified electrician to ensure correct branch circuit conductor.
 ASD® assumes no responsibility for claims arising out of improper or careless Installation or handling of this product.

INSTALLATION STEPS:

- Unscrew three cap nuts counter-clockwise, remove the metal ring and the lens.
- Attach two screws to the outlet box. Connect the wires: Black to Black, White to White, Ground to Ground. Carefully tuck all the wires back into the outlet box.
 - In fixtures with Emergency battery connect the LED Emergency controller to the battery back-up.
- Place the fixture pan over the outlet box and feed fixture screws through keyhole slots. Rotate the fixture pan clockwise until screws lock into the narrow end of the keyhole slots and tighten screws firmly. Choose either 3,000K, 4,000K or 5,000K with a simple switch. Secure the lens and the metal ring to the fixture pan using three cap nuts.



For most up-to-date spec sheets please refer to asd-lighting.com



LED DOUBLE RING FLUSHMOUNT

ORDERING INFORMATION

Model	UPC	Pcs. per carton	Carton size	Carton weight	GTIN 14
ASD-LFMDR-10D16CC-NK	810050731706	4	16.3" x 12" x 12.2"	9.9 lbs	10810050731703
ASD-LFMDR-12D15CC-NK	810050735728	4	15.6" x 13.2" x 13.4"	11.7 lbs	10810050735725
ASD-LFMDR-12D15CC-BZ	810050736077	4	15.6" x 13.2" x 13.4"	11.7 lbs	10810050736074
ASD-LFMDR-12D20CC-NK	810050735735	4	15.6" x 13.2" x 13.4"	11.7 lbs	10810050735732
ASD-LFMDR-MV-12D20CC-NK	810050732826	4	15.6" x 13.2" x 13.4"	11.6 lbs	10810050732823
ASD-LFMDR-12D20CC-BK	810128111669	4	15.6" x 13.2" x 13.4"	11.7 lbs	10810128111666
ASD-LFMDR-14D21CC-NK	810050736084	4	15.9" x 15.9" x 15.7"	16.4 lbs	10810050736081
ASD-LFMDR-MV-14D21CC-NK	819201027927	4	15.9" x 15.9" x 15.7"	16.4 lbs	10819201027924
ASD-LFMDR-14D21CC-BZ	810050736091	4	15.9" x 15.9" x 15.7"	16.4 lbs	10810050736098
ASD-LFMDR-14D21CC-BK	810128111676	4	15.9" x 15.9" x 15.7"	16.4 lbs	10810128111673
ASD-LFMDR-16D24CC-NK	810050736107	2	17.7" x 8.7" x 17.7"	10.3 lbs	20810050736101
ASD-LFMDR-MV-16D24CC-NK	810050730587	2	17.7" x 8.7" x 17.7"	10.3 lbs	20810050730581
ASD-LFMDR-16D24CC-BZ	810050736114	2	17.7" x 8.7" x 17.7"	10.3 lbs	20810050736118
ASD-LFMDR-16D24CC-BK	810128111683	2	17.7" x 8.7" x 17.7"	10.3 lbs	20810128111687
ASD-LFMDR-18D28CC-NK	810050735551	2	20.1" x 9.5" x 20.1"	13.9 lbs	20810050735555
ASD-LFMDR-MV-18D28CC-NK	810050730402	2	20.1" x 9.5" x 20.1"	14 lbs	20810050730406
ASD-LFMDR-18D28CC-BZ	810050735940	2	20.1" x 9.5" x 20.1"	13.9 lbs	20810050735944
ASD-LFMDR-18D28CC-BK	810128111690	2	20.1" x 9.5" x 20.1"	13.9 lbs	20810128111694
LFMDR-MS WITH MOTION SENSOR					
ASD-LFMDR-MV-12N15CC-MS-NK	810050733519	4	15.4" x 13.4" x 13.4"	12.1 lbs	10810050733516
ASD-LFMDR-MV-14N21CC-MS-NK	810050733526	4	15.9" x 15.9" x 15.9"	16.9 lbs	10810050733523
LFMDR-EM WITH BATTERY BACK-UP					
ASD-LFMDR-MV-12D15CC-EM-NK	819201027989	4	13.6" x 13.6" x 22"	15 lbs	10819201027986
ASD-LFMDR-MV-12D20CC-EM-NK	810128112536	4	22.1" x 13.6" x 13.6"	15 lbs	10810128112533
ASD-LFMDR-MV-14D21CC-EM-NK	819201027996	4	15.9" x 15.9" x 22"	24.2 lbs	10819201027993
ASD-LFMDR-MV-16D24CC-EM-NK	819201028009	4	23.4" x 17.9" x 17.9"	31.3 lbs	10819201028006

For most up-to-date spec sheets please refer to asd-lighting.com

ASD LIGHTING CORP

E-mail: orders@asd-lighting.com | Web site: www.asd-lighting.com

