



LED LINEAR HIGH BAY

► **DESIGN & OPTIONS** - LED LINEAR HIGH BAY has durable housing and energy-efficient LED drivers to ensure high performance. The PC frosted lens is impact-resistant and extremely tough, and the housing is designed to maximize heat dissipation. The fixture is equipped with a 1-10V dimmable driver as well. You can choose either 120-277V or 277-480V with a 4,000K or 5,000K color temperature. The fixture comes with a WHITE finish.

 **The battery back-up kit** provides 90 minutes of power in case of emergency.

► **INSTALLATION** - This fixture has three different mounting options: suspended, surface, and pendant. It can easily be suspended from the ceiling with the included chains and V-hook. Surface and pendant mount brackets are also available (sold separately). Refer to install instructions for detailed steps.

► **APPLICATION** - The LED LINEAR HIGH BAYS are the perfect commercial or industrial solution for warehouses, supermarkets, retail stores, gyms, garages, general task areas, and many other applications. This fixture is also Damp location rated and can operate in temperatures ranging from -40 to 131°F (-40 to 55°C), allowing it to be utilized in a wide variety of applications and climates.

► **ENERGY SAVINGS & EFFICIENCY** - With a calculated lifespan up to 174,000 hours, these fixtures are made to last decades under normal operation! This fixture can cut your electric bill by up to 80% instantly and will save you a significant amount of money in its lifetime.

► **CERTIFICATION & WARRANTY** - Buy with confidence: ASD provides a 5-year limited warranty along with UL certification to guarantee top quality products and safety!

DLC Premium classification allows participation in rebates; please check the rebate programs available in your state.

Catalog number	
Notes	
Type	



Model	Size	Watts	Voltage	Dimmable	Lumens	CCT	Dimensions (LxWxH)
ASD-WHB5-2D11040W-PRM	2 ft	110W	120-277 V	1-10 V	14,622 lm	4,000 K	24-7/8" x 11-7/8" x 1-7/8"
ASD-WHB5-2D11050W-PRM	2 ft	110W	120-277 V	1-10 V	14,476 lm	5,000 K	24-7/8" x 11-7/8" x 1-7/8"
ASD-WHB5-2D16540W-PRM	2 ft	165W	120-277 V	1-10 V	22,064 lm	4,000 K	24-7/8" x 11-7/8" x 1-7/8"
ASD-WHB5-2D16550W-PRM	2 ft	165W	120-277 V	1-10 V	22,364 lm	5,000 K	24-7/8" x 11-7/8" x 1-7/8"
ASD-WHB5-2D22040W-PRM	2 ft	220W	120-277 V	1-10 V	29,529 lm	4,000 K	24-7/8" x 14-1/8" x 1-7/8"
ASD-WHB5-2D22050W-PRM	2 ft	220W	120-277 V	1-10 V	29,163 lm	5,000 K	24-7/8" x 14-1/8" x 1-7/8"
ASD-WHB5-3D30050W-PRM	3 ft	300W	120-277 V	1-10 V	42,321 lm	5,000 K	35-3/8" x 15-1/8" x 2-1/8"
ASD-WHB5-3D32050W-PRM	3 ft	320W	120-277 V	1-10 V	47,629 lm	5,000 K	35-3/8" x 15-1/8" x 2-1/8"
ASD-WHB5-4D50050W-PRM	4 ft	500W	120-277 V	1-10 V	70,441 lm	5,000 K	47-1/4" x 12-1/2" x 2-3/8"
WHB5HV HIGH VOLTAGE							
ASD-WHB5HV-2D11050W-PRM	2 ft	110W	277-480 V	1-10 V	14,825 lm	5,000 K	24-7/8" x 12-1/2" x 2-1/8"
ASD-WHB5HV-2D16550W-PRM	2 ft	165W	277-480 V	1-10 V	22,902 lm	5,000 K	24-7/8" x 12-1/2" x 2-1/8"
ASD-WHB5HV-2D22050W-PRM	2 ft	220W	277-480 V	1-10 V	31,803 lm	5,000 K	24-7/8" x 15-1/8" x 1-7/8"
ASD-WHB5HV-3D32050W-PRM	3 ft	320W	277-480 V	1-10 V	47,508 lm	5,000 K	35-3/8" x 15-1/8" x 2-1/8"
ASD-WHB5HV-4D50050W-PRM	4 ft	500W	277-480 V	1-10 V	71,040 lm	5,000 K	47-1/4" x 12-1/2" x 2-3/8"

PRODUCT SPECIFICATIONS:

Construction & Materials							
Housing	Steel						
Lens	PC						
Finish	White						
Weight	ASD-WHB5-2D11040W-PRM	6.6 lb (3 kg)	ASD-WHB5-2D22040W-PRM	8.8 lb (4 kg)	ASD-WHB5HV-2D11050W-PRM	8.4 lb (3.8 kg)	
	ASD-WHB5-2D11050W-PRM		ASD-WHB5-2D22050W-PRM		ASD-WHB5HV-2D16550W-PRM		8.8 lb (4 kg)
	ASD-WHB5-2D16540W-PRM	7.7 lb (3.5 kg)	ASD-WHB5-3D30050W-PRM	14.3 lb (6.5 kg)	ASD-WHB5HV-2D22050W-PRM	10.1 lb (4.6 kg)	
	ASD-WHB5-2D16550W-PRM		ASD-WHB5-3D32050W-PRM	14.6 lb (6.6 kg)	ASD-WHB5HV-3D32050W-PRM	14.6 lb (6.6 kg)	
			ASD-WHB5-4D50050W-PRM	18.5 lb (8.4 kg)	ASD-WHB5HV-4D50050W-PRM	19.6 lb (8.9 kg)	
Environmental system							
Work environment	Suitable for Damp Locations, IP20						
Operating temperature	-40°F to 131°F (-40°C to 55°C)						
L-70 Life	R > 54,000 hrs; C > 174,000 hrs						

For most up-to-date spec sheets please refer to asd-lighting.com



LED LINEAR HIGH BAY

Optical system						
Luminous flux	ASD-WHB5-2D11040W-PRM	14,622 lm	ASD-WHB5-2D22040W-PRM	29,529 lm	ASD-WHB5HV-2D11050W-PRM	14,825 lm
	ASD-WHB5-2D11050W-PRM	14,476 lm	ASD-WHB5-2D22050W-PRM	29,163 lm	ASD-WHB5HV-2D16550W-PRM	22,902 lm
	ASD-WHB5-2D16540W-PRM	22,064 lm	ASD-WHB5-3D30050W-PRM	42,321 lm	ASD-WHB5HV-2D22050W-PRM	31,803 lm
	ASD-WHB5-2D16550W-PRM	22,364 lm	ASD-WHB5-3D32050W-PRM	47,629 lm	ASD-WHB5HV-3D32050W-PRM	47,508 lm
Color temperature	4,000 K, 5,000 K					
CRI	> 80					

Electrical system							
Input voltage	Regular voltage: 120-277 V			High voltage: 277-480 V			
Max input current	ASD-WHB5-2D11040W-PRM	0.6 A	ASD-WHB5-2D22040W-PRM	0.6 A	ASD-WHB5HV-2D11050W-PRM	0.5 A	
	ASD-WHB5-2D11050W-PRM	1.2 A	ASD-WHB5-2D22050W-PRM	2.2 A	ASD-WHB5HV-2D16550W-PRM	0.8 A	
	ASD-WHB5-2D16540W-PRM	0.6 A	ASD-WHB5-3D30050W-PRM	3 A	ASD-WHB5HV-2D22050W-PRM	1 A	
	ASD-WHB5-2D16550W-PRM	1.7 A	ASD-WHB5-3D32050W-PRM	3.2 A	ASD-WHB5HV-3D32050W-PRM	1.2 A	
Inrush current (Action time)			ASD-WHB5-4D50050W-PRM	0.2 A	ASD-WHB5HV-4D50050W-PRM		2.2 A
	ASD-WHB5-2D11040W-PRM	35 A (0.65 S)	ASD-WHB5-2D22040W-PRM	35 A (0.65 S)	ASD-WHB5HV-2D11050W-PRM	55 A (0.582 S)	
	ASD-WHB5-2D11050W-PRM	60 A (0.65 S)	ASD-WHB5-2D22050W-PRM	60 A (0.65 S)	ASD-WHB5HV-2D16550W-PRM	50 A (0.78 S)	
	ASD-WHB5-2D16540W-PRM	35 A (0.68 S)	ASD-WHB5-3D30050W-PRM	60 A (0.758 S)	ASD-WHB5HV-2D22050W-PRM	90 A (0.58 S)	
AC input range	Regular voltage: min 120 V max 277 V			High voltage: min 277 V max 480 V			
	Off state power						0W
Power consumption	ASD-WHB5-2D11040W-PRM	110W	ASD-WHB5-2D22040W-PRM	220W	ASD-WHB5HV-2D11050W-PRM	110W	
	ASD-WHB5-2D11050W-PRM		ASD-WHB5-2D22050W-PRM		ASD-WHB5HV-2D16550W-PRM	165W	
	ASD-WHB5-2D16540W-PRM	165W	ASD-WHB5-3D30050W-PRM	300W	ASD-WHB5HV-2D22050W-PRM	220W	
	ASD-WHB5-2D16550W-PRM		ASD-WHB5-3D32050W-PRM	320W	ASD-WHB5HV-3D32050W-PRM	320W	
Power factor	> 0.9						
Output voltage	ASD-WHB5-2D11040W-PRM	30-48 V	ASD-WHB5-2D22040W-PRM	30-48 V	ASD-WHB5HV-2D11050W-PRM	22-56 V	
	ASD-WHB5-2D11050W-PRM		ASD-WHB5-2D22050W-PRM		ASD-WHB5HV-2D16550W-PRM	36-56 V	
	ASD-WHB5-2D16540W-PRM		36-56 V	ASD-WHB5-3D30050W-PRM	ASD-WHB5HV-2D22050W-PRM	22-56 V	
	ASD-WHB5-2D16550W-PRM			ASD-WHB5-3D32050W-PRM	ASD-WHB5HV-3D32050W-PRM	38-56 V	
Max output current	ASD-WHB5-2D11040W-PRM	2.2 A	ASD-WHB5-2D22040W-PRM	2.2 A	ASD-WHB5HV-4D50050W-PRM	36-56 V	
	ASD-WHB5-2D11050W-PRM		ASD-WHB5-2D22050W-PRM		ASD-WHB5HV-2D11050W-PRM	2.2 A	
	ASD-WHB5-2D16540W-PRM	1.7 A	ASD-WHB5-3D30050W-PRM	3 A	ASD-WHB5HV-2D16550W-PRM	3.2 A	
	ASD-WHB5-2D16550W-PRM		ASD-WHB5-3D32050W-PRM	2.9 A	ASD-WHB5HV-3D32050W-PRM	5 A	
Surge protection DM/CM			ASD-WHB5-4D50050W-PRM	5.1 A	ASD-WHB5HV-4D50050W-PRM	5.1 A	
	ASD-WHB5-2D11040W-PRM	2 kV	ASD-WHB5-2D22040W-PRM	10 kV	ASD-WHB5HV-2D11050W-PRM	6 kV / 10 kV	
	ASD-WHB5-2D11050W-PRM	4 kV / 6 kV	ASD-WHB5-2D22050W-PRM		ASD-WHB5HV-2D16550W-PRM		
	ASD-WHB5-2D16540W-PRM	2 kV / 4 kV	ASD-WHB5-3D30050W-PRM		ASD-WHB5HV-2D22050W-PRM		
ASD-WHB5-2D16550W-PRM	ASD-WHB5-3D32050W-PRM		ASD-WHB5HV-3D32050W-PRM				
LED driver class	Class 1						

Dimming compatible controls			
Brand	Leviton	Lutron	Legrand
Models	DS710	NTSTV-DV	DVTV-WH
	IP710	NFTV	H4FBL3PW
Regular and voluntary certifications			
5-year limited warranty			
DesignLights Consortium (DLC) listed (Classification: Premium)			
Main: Indoor Luminaires; General Application: High-Bay			
Primary Use: High-Bay Luminaires for Commercial and Industrial Buildings			
UL certified E473804			

PACKAGE CONTENTS:

Description	Q-ty
LED Linear High Bay Fixture (*for models: ASD-WHB5-3D32050W-PRM and ASD-WHB5-4D50050W-PRM = 1)	2
Hanging kit (A)	2

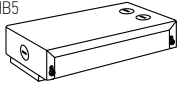
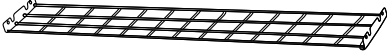

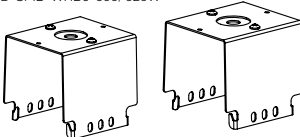
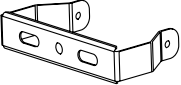
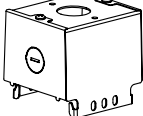



For most up-to-date spec sheets please refer to asd-lighting.com



LED LINEAR HIGH BAY

ACCESSORIES (sold separately):

Battery back-up kit 20W ASD-EMK20W-WHB5 	Wire guard  for 2ft 110/165W ASD-WG2-WHB5-110/165W for 2ft 220W ASD-WG2-WHB5-220W for 3ft 300/320W ASD-WG3-WHB5-300/320W for 4ft 500W ASD-WG4-WHB5-500W	6-foot cord 120V-277V 3-blade twist-lock plug ASD-CRD6-TLP-277V 	
Surface mounting bracket ASD-SMB-WHB5-110/220W ASD-SMB-WHB5-300/320W 	ASD-SMB-WHB5-500W 	Pendant mount bracket ASD-PMB-WHB5-110/220W ASD-PMB-WHB5-300/320W 	6-foot cord 120V-277V straight blade plug ASD-CRD6-SBP-277V 

ACCESSORY COMPATIBILITY LIST:

Accessories	Battery back-up kit 20W ASD-EMK20W-WHB5	Surface mount bracket ASD-SMB-WHB5-110/220W	Surface mount bracket ASD-SMB-WHB5-300/320W	Surface mount bracket ASD-SMB-WHB5-500W	Pendant mounting bracket ASD-PMB-WHB5-110/220W	Pendant mounting bracket ASD-PMB-WHB5-300/320W	Pendant mounting bracket ASD-PMB-WHB5-500W	Wire guard ASD-WG2-WHB5-110/165W	Wire guard ASD-WG2-WHB5-220W	Wire guard ASD-WG3-WHB5-300/320W	Wire guard ASD-WG4-WHB5-500W	6-foot cord 120V-277V 3-blade twist-lock plug ASD-CRD6-TLP-277V	6-foot cord 120V-277V straight blade plug ASD-CRD6-SBP-277V
ASD-WHB5-2D11040W-PRM	•	•			•			•				•	•
ASD-WHB5-2D11050W-PRM	•	•			•			•				•	•
ASD-WHB5-2D16540W-PRM	•	•			•			•				•	•
ASD-WHB5-2D16550W-PRM	•	•			•			•				•	•
ASD-WHB5-2D22040W-PRM	•	•			•				•			•	•
ASD-WHB5-2D22050W-PRM	•	•			•				•			•	•
ASD-WHB5-3D30050W-PRM	•		•			•					•	•	•
ASD-WHB5-3D32050W-PRM	•		•			•					•	•	•
ASD-WHB5-4D50050W-PRM				•			•				•	•	•
ASD-WHB5HV-2D11050W-PRM			•			•		•					
ASD-WHB5HV-2D16550W-PRM			•			•		•					
ASD-WHB5HV-2D22050W-PRM			•			•			•				
ASD-WHB5HV-3D32050W-PRM			•			•					•		
ASD-WHB5HV-4D50050W-PRM				•			•				•		

For most up-to-date spec sheets please refer to asd-lighting.com

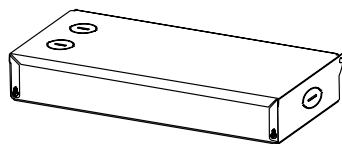


LED LINEAR HIGH BAY

BACK-UP BATTERY KIT INFORMATION

ASD-EMK20W-WHB5 sold separately

- ▶ Standard UL924 certification
- ▶ External LiFePO4 battery
- ▶ Battery Protection
- ▶ Over charge protection
- ▶ Over discharge protection
- ▶ Short circuit protection
- ▶ Battery Status Indicator Light
- ▶ Intelligent Emergency Detection Function
- ▶ 5 year warranty



Emergency operation:

When the AC power goes out, the emergency driver detects the outage and automatically switches to the emergency mode. The red LED ON indicates that it is discharging, the red LED flashing indicates low battery power, and the red LED OFF indicates the discharge is complete.

AC operation:

Green LED flashing indicates that it is charging. Green LED ON indicates that it is fully charged.

Automatic Self-Checking Test operation:

After being powered for 48H, the emergency LED driver will automatically switch into emergency working mode for 30s every month and back to AC operation mode. Annually, the emergency LED driver will switch into emergency mode for 90 minutes to test full cycle capacity and back to AC operation mode.

Malfunction mode:

Yellow LED ON indicates driver malfunction.

ASD-EMK20W-WHB5 self-check emergency battery back-up kit offers a dependable solution for virtually every LED Linear High Bay lighting application, with options tailored for both new fixture constructions and field installation applications. For more information please visit our website <https://www.asd-lighting.com/>

Specifications	Model ASD-EMK20W-WHB5
Input voltage	120-277 V
AC input current	100 mA max.
AC input power rating	7.0W max.
Output current and voltage	410-800 mA 25 - 48 V DC
Output power	20W
Emergency time	≥ 1.5 Hours
Warranty	5 Years
Indicator light	Illuminated Test Switch, Red, Green, Yellow indicator Light
Battery	LiFePO4 battery-12.8 V/3000 mAh
Battery charging current	250 mA
Charging time	≥ 24 Hours
Temperature rating (Ambient)	32°F to 122°F (0°C to +50°C)
Dimensions	7.4" x 1.5" x 1.1" (188 mm x 38 mm x 29 mm)
Weight	1.2 lb (0.55 kg)

INSTALLATION GUIDE

IMPORTANT SAFETY INFORMATION:

Please read all the instructions below before installation.

- ▶ Make sure that the supply voltage corresponds to the rated product voltage.
- ▶ The product must be installed by a qualified electrician in accordance with the National Electrical Code and corresponding local codes.
- ▶ If the product is damaged, do not use it.

⚠ WARNING

RISK OF PERSONAL INJURY – READ and follow all WARNINGS and installation instructions. Keep or give to the owner for future reference.

Risk of cuts: Wear gloves to prevent cuts or abrasions when removing from carton, handling, installing, and maintaining this product.

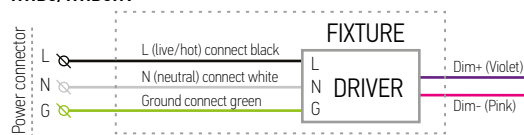
Risk of electric shock: This product must be installed in accordance with the applicable installation code by a person familiar with the construction and operation of the product and the hazards involved.

Risk of Fire: Minimum 194°F supply conductors. Consult a qualified electrician to ensure correct branch circuit conductor.

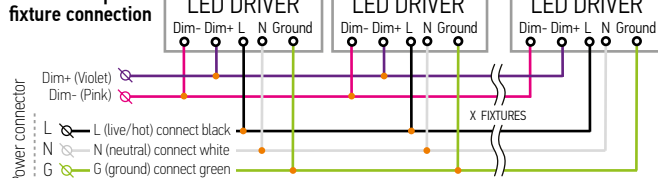
ASD® assumes no responsibility for claims arising out of improper or careless Installation or handling of this product.

ELECTRICAL SCHEMATIC DIAGRAM:

WHB5/WHB5HV

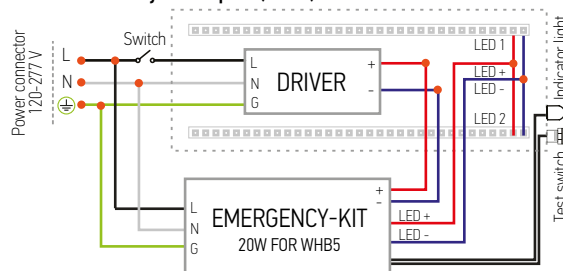


WHB5 multiple fixture connection

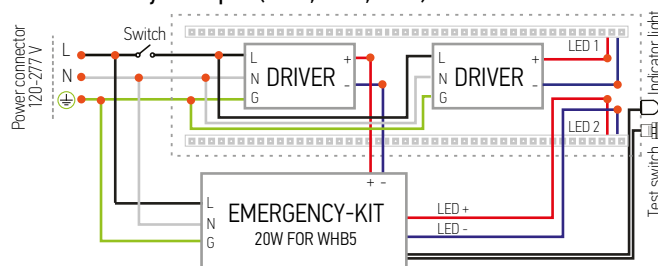


Recommended wire thickness should not exceed 18AWG.

WHB5 with battery back-up kit (110W)



WHB5 with battery back-up kit (165W, 220W, 320W)



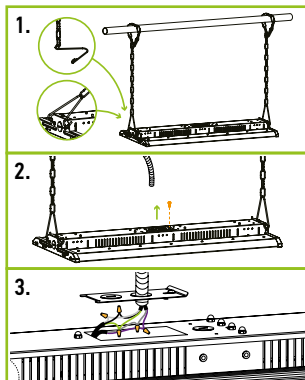
For most up-to-date spec sheets please refer to asd-lighting.com



LED LINEAR HIGH BAY

CHAIN MOUNT:

1. Insert V-hooks into both ends of the fixture. Secure chain to ceiling, beam or other mounting surface. Use screwdriver to open the plate.
2. Open the top knockout with a screwdriver. Screw the plate back.
3. Connect the wires in accordance to the wiring diagram in these specifications. If you are not using the dimming wires cap them off but not together. Reattach knockout plate to top of the fixture.



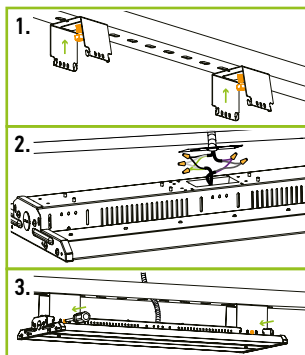
SURFACE MOUNT

ASD-SMB-WHB5-110/220W

ASD-SMB-WHB5-300/320W

sold separately:

1. Bolt the brackets to ceiling, beam, joist or rail. (bolts not included).
2. Connect the wires in accordance to the wiring diagram in these specifications. If you are not using the dimming wires cap them off but not together.
3. Attach the fixture to the bracket. Two screws per each side of the bracket.

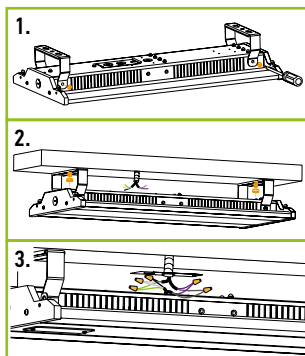


SURFACE MOUNT

ASD-SMB-WHB5-500W

sold separately:

1. Fix the bracket on the fixture with screws.
2. Drill holes on the ceiling according to bracket design, fix bolts on the holes, fix the bracket on bolts. Use the screwdriver to open the plate.
3. Wiring: connect black wire to line (hot), white wire to neutral, and green to ground. If dimming required, use the provided dimming leads (Dim+ and Dim-leads). If dimming is not required, leave caps on dimming leads. Screw the plate back.



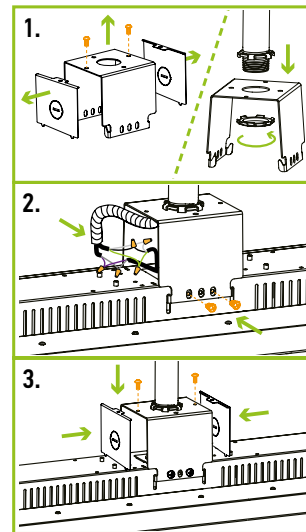
PENDANT MOUNT

ASD-PMB-WHB5-110/220W

ASD-PMB-WHB5-300/320W

sold separately:

1. Unscrew two bolts on the top of the bracket and remove side plates. Install the bracket on 3/4" NPT pipe. Bracket does not include nuts or screws for mounting to surface.
2. Attach the bracket by putting the bracket's hooks into the slots in the housing. Fix the bracket with screws. Connect the wires following the wiring diagram. If you are not using the dimming wires cap them off but not together.
3. Align the studs of the side plate with the slots in the housing, set up the side plates, and fix them with screws.

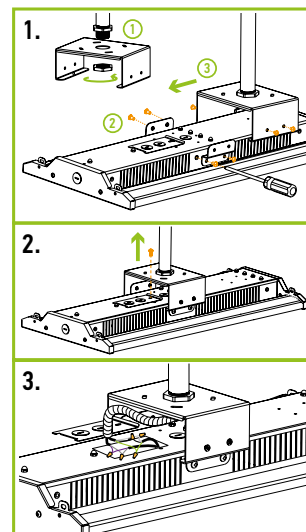


PENDANT MOUNT

ASD-PMB-WHB5-500W

sold separately:

1. Install the mounting bracket on 3/4" NPT pole using 2 customer supplied locknuts.
2. Screw 2 bracket parts to the fixture then install the fixture on the main bracket.
3. Use the screwdriver to open the plate. Wiring: connect black wire to line (hot), white wire to neutral, and green to ground. If dimming required, use the provided dimming leads (Dim+ and Dim-leads). If dimming is not required, leave caps on dimming leads. Screw the plate back.



For most up-to-date spec sheets please refer to asd-lighting.com





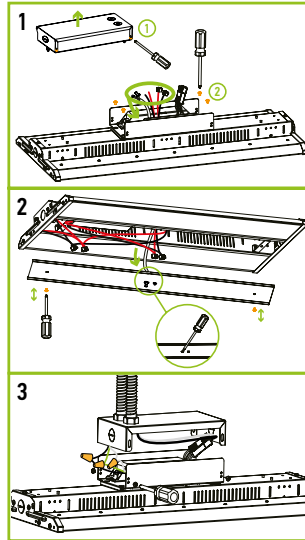
LED LINEAR HIGH BAY

BATTERY BACK-UP INSTALLATION

1. Open the wiring compartment of the highbay (unscrew the back plate, remove knockouts, take the wires out, screw the plate back). Remove the cover of the EM driver (4 screws). Attach the driver to the back of the high bay with 4 screws, pull the wires out. Connect the driver to the panel following the diagram below.

2. Reverse the fixture, take the center panel down. Remove 2 knockouts in the middle of the panel for indicator light and test button install. Pull indicator light and test button from the emergency driver to the front of the fixture, install them into the front cover. Screw the front panel back to the fixture.

3. Connect the fixture to power as shown in the diagram below, attach the cover of the EM driver. Installation is complete.



ORDERING INFORMATION

Model	UPC	Pcs. per carton	Carton size	Carton weight	GTIN 14
ASD-WHB5-2D11040W-PRM	819201025336	2	28.3" x 14.2" x 7.3"	16.5 lb	10819201025333
ASD-WHB5-2D11050W-PRM	819201024797	2	28.3" x 14.2" x 7.3"	16.5 lb	10819201024794
ASD-WHB5-2D16540W-PRM	819201025350	2	28.3" x 14.2" x 7.3"	19 lb	10819201025357
ASD-WHB5-2D16550W-PRM	819201024803	2	28.3" x 14.2" x 7.3"	19 lb	10819201024800
ASD-WHB5-2D22040W-PRM	819201025367	2	28.3" x 16.5" x 7.3"	20.9 lb	10819201025364
ASD-WHB5-2D22050W-PRM	819201024810	2	28.3" x 16.5" x 7.3"	20.9 lb	10819201024817
ASD-WHB5-3D30050W-PRM	819201025831	1	39.4" x 18.1" x 4.9"	19 lb	-
ASD-WHB5-3D32050W-PRM	819201026807	1	39.4" x 18.1" x 4.9"	19 lb	-
ASD-WHB5-4D50050W-PRM	819201026814	1	52.4" x 15.7" x 5.1"	23.4 lb	-
WHB5HV HIGH VOLTAGE					
ASD-WHB5HV-2D11050W-PRM	819201026265	2	28.3" x 15.2" x 7.9"	20.3 lb	10819201026262
ASD-WHB5HV-2D16550W-PRM	819201026135	2	28.3" x 15.2" x 7.9"	21.4 lb	10819201026132
ASD-WHB5HV-2D22050W-PRM	819201027132	2	28.3" x 17.5" x 7.9"	24.7 lb	10819201027139
ASD-WHB5HV-3D32050W-PRM	819201027101	1	39.4" x 18.1" x 4.9"	19 lb	-
ASD-WHB5HV-4D50050W-PRM	819201027118	1	52.4" x 15.7" x 5.1"	24.6 lb	-

ACCESSORIES:

Model	Name	UPC	Pcs. per carton	Carton size	Carton weight	GTIN 14
ASD-SMB-WHB5-110/220W	Surface mounting bracket for 110-220W	819201024902	20	17.1" x 7.3" x 7.5"	18.7 lb	10819201024909
ASD-SMB-WHB5-300/320W	Surface mounting bracket for 300/320W	819201026111	20	17.1" x 7.9" x 9.8"	22 lb	10819201026118
ASD-SMB-WHB5-500W	Surface mounting bracket for 500W	819201027354	20	7.1" x 7.1" x 7.9"	18 lb	10819201027351
ASD-PMB-WHB5-110/220W	Pendant mounting bracket for 110-220W	819201024919	20	15.6" x 7.3" x 7.5"	10.8 lb	10819201024916
ASD-PMB-WHB5-300/320W	Pendant mounting bracket for 300/320W	819201026128	20	15.6" x 7.9" x 9.3"	12.6 lb	10819201026125
ASD-PMB-WHB5-500W	Pendant mounting bracket for 500W	819201027361	20	16.7" x 12.6" x 9.8"	24 lb	10819201027368
ASD-WG2-WHB5-110/165W	Wire guard for 2ft. 110/165W	819201024926	10	25.2" x 8.5" x 4.7"	9.9 lb	10819201024923
ASD-WG2-WHB5-220W	Wire guard for 2ft. 220W	819201025008	10	25.2" x 10.6" x 4.7"	11.7 lb	10819201025005
ASD-WG3-WHB5-300/320W	Wire guard for 3ft. 300/320W	819201027378	10	35.8" x 10.6" x 4.9"	14.1 lb	10819201027375
ASD-WG4-WHB5-500W	Wire guard for 4ft. 500W	819201027385	10	48.4" x 7.9" x 7.5"	16.5 lb	10819201027382
ASD-CRD6-TLP-277V	6-foot cord 120V-277V 3-blade twist-lock plug	819201026296	25	10.8" x 9.8" x 11.6"	15.9 lb	10819201026293
ASD-CRD6-SBP-277V	6-foot cord 120V-277V straight blade plug	819201026302	25	10.8" x 9.8" x 11.6"	17.6 lb	10819201026309
ASD-EMK20W-WHB5	Battery back-up kit 20W	819201024933	10	11.6" x 11" x 9.8"	29.1 lb	10819201024930

For most up-to-date spec sheets please refer to asd-lighting.com