



LED UNDER CABINET BULLNOSE

► **DESIGN** - LED UNDER CABINET BULLNOSE LIGHT is perfect for a hidden backlight. The acrylic lens with a 115° beam angle and CRI90+ grants you even light distribution. It is designed to operate on 120V circuits.

The 15A built-in outlet is intended for connection of electrical appliances.

► **COLOR SELECTABLE** - You can choose either a 3,000K warm white, 4,000K cool white or 5,000K daylight color temperature.

► **DIMMING** - Smooth triac dimming capabilities ranging from 10% to 100% with modern LED dimmers allow you to control the look and feel of your space.

► **INSTALLATION** - Quick and easy hardwired installation. It is also Damp Locations rated.

► **ADVANTAGES** - With a lifespan of 50,000 hours, these fixtures are made to last decades under normal operation! ASD provides a 5-year limited warranty along with ETL and Energy Star certifications to guarantee top quality products and safety!

Catalog number	
Notes	
Type	



Model	Size	Watts	Voltage	Dimmable	Lumens	CCT	Finish	Dimensions (LxWxH)	Outlet q-ty
ASD-UCB-9D3CC-WH	9 inch	3W	120 V	TRIAC	180/198/202 lm	3CCT (3,000/4,000/5,000 K)	White	9" x 3-11/16" x 1-1/8"	-
ASD-UCB-9D3CC-BZ	9 inch	3W	120 V	TRIAC	180/198/202 lm	3CCT (3,000/4,000/5,000 K)	Bronze	9" x 3-11/16" x 1-1/8"	-
ASD-UCB-12D5CC-WH	12 inch	5W	120 V	TRIAC	302/318/325 lm	3CCT (3,000/4,000/5,000 K)	White	12" x 3-11/16" x 1-1/8"	-
ASD-UCB-12D5CC-WH-2PACK	12 inch	5W	120 V	TRIAC	302/318/325 lm	3CCT (3,000/4,000/5,000 K)	White	12" x 3-11/16" x 1-1/8"	-
ASD-UCB-12D5CC-BZ	12 inch	5W	120 V	TRIAC	302/318/325 lm	3CCT (3,000/4,000/5,000 K)	Bronze	12" x 3-11/16" x 1-1/8"	-
ASD-UCB-18D8CC-WH	18 inch	8W	120 V	TRIAC	655/708/715 lm	3CCT (3,000/4,000/5,000 K)	White	18" x 3-11/16" x 1-1/8"	-
ASD-UCB-18D8CC-WH-2PACK	18 inch	8W	120 V	TRIAC	655/708/715 lm	3CCT (3,000/4,000/5,000 K)	White	18" x 3-11/16" x 1-1/8"	-
ASD-UCB-18D8CC-BZ	18 inch	8W	120 V	TRIAC	655/708/715 lm	3CCT (3,000/4,000/5,000 K)	Bronze	18" x 3-11/16" x 1-1/8"	-
ASD-UCB-24D12CC-WH	24 inch	12W	120 V	TRIAC	769/816/822 lm	3CCT (3,000/4,000/5,000 K)	White	24" x 3-11/16" x 1-1/8"	-
ASD-UCB-24D12CC-WH-2PACK	24 inch	12W	120 V	TRIAC	769/816/822 lm	3CCT (3,000/4,000/5,000 K)	White	24" x 3-11/16" x 1-1/8"	-
ASD-UCB-24D12CC-BZ	24 inch	12W	120 V	TRIAC	769/816/822 lm	3CCT (3,000/4,000/5,000 K)	Bronze	24" x 3-11/16" x 1-1/8"	-
ASD-UCB-32D16CC-WH	32 inch	16W	120 V	TRIAC	985/1,046/1,057 lm	3CCT (3,000/4,000/5,000 K)	White	32" x 3-11/16" x 1-1/8"	-
ASD-UCB-32D16CC-BZ	32 inch	16W	120 V	TRIAC	985/1,046/1,057 lm	3CCT (3,000/4,000/5,000 K)	Bronze	32" x 3-11/16" x 1-1/8"	-
ASD-UCB-40D20CC-WH	40 inch	20W	120 V	TRIAC	1,454/1,574/1,558 lm	3CCT (3,000/4,000/5,000 K)	White	40" x 3-11/16" x 1-1/8"	-
ASD-UCB-48D24CC-WH	48 inch	24W	120 V	TRIAC	1,630/1,758/1,695 lm	3CCT (3,000/4,000/5,000 K)	White	48" x 3-11/16" x 1-1/8"	-
ASD-UCB-48D24CC-BZ	48 inch	24W	120 V	TRIAC	1,630/1,758/1,695 lm	3CCT (3,000/4,000/5,000 K)	Bronze	48" x 3-11/16" x 1-1/8"	-
UCBS WITH POWER OUTLET									
ASD-UCBS-18N8CC-WH	18 inch	8W	120 V	-	655/708/715 lm	3CCT (3,000/4,000/5,000 K)	White	18" x 3-11/16" x 1-1/8"	1
ASD-UCBS-24N12CC-WH	24 inch	12W	120 V	-	769/816/822 lm	3CCT (3,000/4,000/5,000 K)	White	24" x 3-11/16" x 1-1/8"	1

PRODUCT SPECIFICATIONS:

Construction & Materials						
Housing	Aluminum					
Lens	Plastic					
Finish	White, Bronze					
Weight	ASD-UCB-9D3CC-WH	0.7 lbs (0.3 kg)	ASD-UCB-18D8CC-WH-2PACK	2.4 lbs (1.1 kg)	ASD-UCB-32D16CC-BZ	2 lbs (0.9 kg)
	ASD-UCB-9D3CC-BZ		ASD-UCB-18D8CC-BZ	1.2 lbs (0.5 kg)	ASD-UCB-40D20CC-WH	2.4 lbs (1.1 kg)
	ASD-UCB-12D5CC-WH	0.9 lbs (0.4 kg)	ASD-UCB-24D12CC-WH	1.6 lbs (0.7 kg)	ASD-UCB-48D24CC-WH	2.8 lbs (1.3 kg)
	ASD-UCB-12D5CC-WH-2PACK	1.7 lbs (0.8 kg)	ASD-UCB-24D12CC-WH-2PACK	3.2 lbs (1.4 kg)	ASD-UCB-48D24CC-BZ	
	ASD-UCB-12D5CC-BZ	0.9 lbs (0.4 kg)	ASD-UCB-24D12CC-BZ	1.6 lbs (0.7 kg)	ASD-UCBS-18N8CC-WH	1.2 lbs (0.5 kg)
	ASD-UCB-18D8CC-WH	1.2 lbs (0.5 kg)	ASD-UCB-32D16CC-WH	2 lbs (0.9 kg)	ASD-UCBS-24N12CC-WH	1.7 lbs (0.8 kg)

For most up-to-date spec sheets please refer to asd-lighting.com

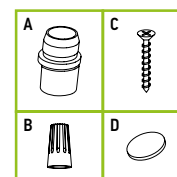


LED UNDER CABINET BULLNOSE

Environmental system							
Work environment	Suitable for Damp Locations						
Operating temperature	-4°F to 113°F (-20°C to 45°C)						
L-70 Life	> 50,000 hrs						
Optical system							
Luminous flux	ASD-UCB-9D3CC-WH	180/198/202 lm	ASD-UCB-18D8CC-WH-2PACK	655/708/715 lm	ASD-UCB-32D16CC-BZ	985/1,046/1,057 lm	
	ASD-UCB-9D3CC-BZ		ASD-UCB-18D8CC-BZ		ASD-UCB-40D20CC-WH		1,454/1,574/1,558 lm
	ASD-UCB-12D5CC-WH	302/318/325 lm	ASD-UCB-24D12CC-WH	769/816/822 lm	ASD-UCB-48D24CC-WH	1,630/1,758/1,695 lm	
	ASD-UCB-12D5CC-WH-2PACK		ASD-UCB-24D12CC-WH-2PACK		ASD-UCB-48D24CC-BZ		
	ASD-UCB-12D5CC-BZ		ASD-UCB-24D12CC-BZ		ASD-UCBS-18N8CC-WH		655/708/715 lm
	ASD-UCB-18D8CC-WH	655/708/715 lm	ASD-UCB-32D16CC-WH	985/1,046/1,057 lm	ASD-UCBS-24N12CC-WH	769/816/822 lm	
Color temperature	3CCT switch (3,000/4,000/5,000 K), 3,000 K by default						
CRI	> 90						
Electrical system							
Input voltage	120 V						
Max input current	ASD-UCB-9D3CC-WH	0.03 A	ASD-UCB-18D8CC-WH-2PACK	0.082 A	ASD-UCB-32D16CC-BZ	0.165 A	
	ASD-UCB-9D3CC-BZ		ASD-UCB-18D8CC-BZ		ASD-UCB-40D20CC-WH		0.21 A
	ASD-UCB-12D5CC-WH	0.05 A	ASD-UCB-24D12CC-WH	0.12 A	ASD-UCB-48D24CC-WH	0.23 A	
	ASD-UCB-12D5CC-WH-2PACK		ASD-UCB-24D12CC-WH-2PACK		ASD-UCBS-18N8CC-WH		
	ASD-UCB-12D5CC-BZ		ASD-UCB-24D12CC-BZ		-		
ASD-UCB-18D8CC-WH	0.082 A	ASD-UCB-32D16CC-WH	0.165 A	ASD-UCBS-24N12CC-WH	-		
Inrush current (Action time)	ASD-UCB-9D3CC-WH	0.03 A (1 S)	ASD-UCB-18D8CC-WH-2PACK	0.08 A (1 S)	ASD-UCB-32D16CC-BZ	0.16 A (1 S)	
	ASD-UCB-9D3CC-BZ	0.05 A (1 S)	ASD-UCB-18D8CC-BZ	0.12 A (1 S)	ASD-UCB-40D20CC-WH	0.21 A (1 S)	
	ASD-UCB-12D5CC-WH		ASD-UCB-24D12CC-WH		ASD-UCB-48D24CC-WH	0.23 A (1 S)	
	ASD-UCB-12D5CC-WH-2PACK		ASD-UCB-24D12CC-WH-2PACK		ASD-UCB-48D24CC-BZ		
	ASD-UCB-12D5CC-BZ	0.08 A (1 S)	ASD-UCB-24D12CC-BZ	0.16 A (1 S)	ASD-UCBS-18N8CC-WH	1 S	
ASD-UCB-18D8CC-WH	0.08 A (1 S)	ASD-UCB-32D16CC-WH	0.16 A (1 S)	ASD-UCBS-24N12CC-WH	-		
Off state power	0W						
Power consumption	ASD-UCB-9D3CC-WH	3W	ASD-UCB-18D8CC-WH-2PACK	8W	ASD-UCB-32D16CC-BZ	16W	
	ASD-UCB-9D3CC-BZ		ASD-UCB-18D8CC-BZ		ASD-UCB-40D20CC-WH		20W
	ASD-UCB-12D5CC-WH	5W	ASD-UCB-24D12CC-WH	12W	ASD-UCB-48D24CC-WH	24W	
	ASD-UCB-12D5CC-WH-2PACK		ASD-UCB-24D12CC-WH-2PACK		ASD-UCB-48D24CC-BZ		
	ASD-UCB-12D5CC-BZ		ASD-UCB-24D12CC-BZ		ASD-UCBS-18N8CC-WH		8W
	ASD-UCB-18D8CC-WH		ASD-UCB-32D16CC-WH		ASD-UCBS-24N12CC-WH		12W
Power factor	> 0.9						
Output voltage	120 V						
Max output current	ASD-UCB-9D3CC-WH	0.024 A	ASD-UCB-18D8CC-WH-2PACK	0.064 A	ASD-UCB-32D16CC-BZ	0.126 A	
	ASD-UCB-9D3CC-BZ		ASD-UCB-18D8CC-BZ		ASD-UCB-40D20CC-WH		0.158 A
	ASD-UCB-12D5CC-WH	0.039 A	ASD-UCB-24D12CC-WH	0.095 A	ASD-UCB-48D24CC-WH	0.19 A	
	ASD-UCB-12D5CC-WH-2PACK		ASD-UCB-24D12CC-WH-2PACK		ASD-UCB-48D24CC-BZ		
	ASD-UCB-12D5CC-BZ		ASD-UCB-24D12CC-BZ		ASD-UCBS-18N8CC-WH		
	ASD-UCB-18D8CC-WH		ASD-UCB-32D16CC-WH		ASD-UCBS-24N12CC-WH		-
Dimming range							
10-100%							
Dimming compatible controls							
Brand	Lutron						
Models	DV-603PG-WH	MACL-153M	DVL-600P				
	PD-6WCL-WH	DVCL-153P	DV-600P				
Power outlet specification							
Model: ZE-3B-2S							
Max voltage	125 Vac						
Max current	15 A						
Regular and voluntary certifications							
5-year limited warranty							
Energy Star listed (except UCBS models)							
cETLus certified 3153196							

PACKAGE CONTENTS:

Description	Q-ty
LED Under Cabinet Bullnose	1 (2 for 2 pack)
Romex connection (A)	1
Wire nut (B)	3
Screw (C)	2
Screw cap (D)	2
Box	1



For most up-to-date spec sheets please refer to asd-lighting.com



LED UNDER CABINET BULLNOSE

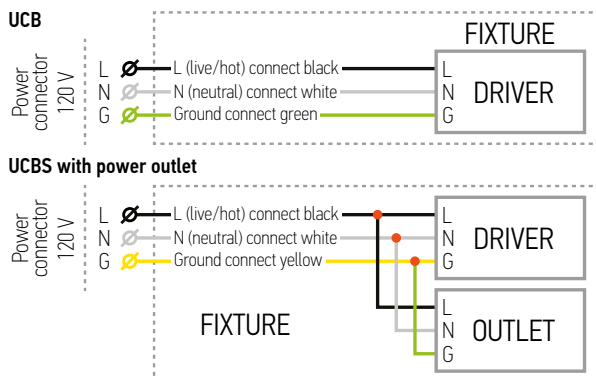
INSTALLATION GUIDE

IMPORTANT SAFETY INFORMATION:

Please read all the instructions below before installation.

- ▶ Make sure that the supply voltage corresponds to the rated product voltage.
- ▶ The product must be installed by a qualified electrician in accordance with the National Electrical Code and corresponding local codes.
- ▶ If the product is damaged, do not use it.

ELECTRICAL SCHEMATIC DIAGRAM:



Recommended wire thickness should not exceed 14AWG.

⚠ WARNING

RISK OF PERSONAL INJURY – READ and follow all WARNINGS and installation instructions. Keep or give to the owner for future reference.

Risk of cuts: Wear gloves to prevent cuts or abrasions when removing from carton, handling, installing, and maintaining this product.

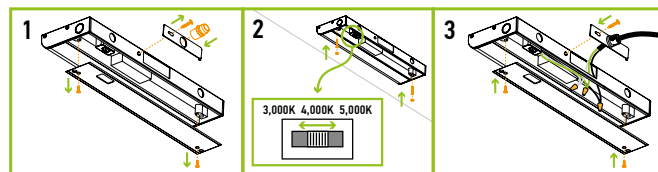
Risk of electric shock: This product must be installed in accordance with the applicable installation code by a person familiar with the construction and operation of the product and the hazards involved. Do not insert any foreign objects into power outlet.

Risk of Fire: Minimum 194°F supply conductors. Consult a qualified electrician to ensure correct branch circuit conductor. Do not overload the power outlet.

ASD® assumes no responsibility for claims arising out of improper or careless installation or handling of this product.

HARDWARE INSTALLATION:

1. Remove the knock-out. Dismount the adapter plate by loosening the screw. Insert the romex connector into the open hole. Dismount the front plate of the fixture by loosening two screws.
2. Attach the fixture to the surface using two screws and cover holes with screw caps. Choose the preferred color temperature using the switch.
3. Pass the wires through the romex connector and tuck them into the fixture. Connect the wires inside the fixture: Black to Black, White to White, Green to Green. Secure the connection with wire nuts. Reattach the front plate and the adapter plate by tightening the screws.



ORDERING INFORMATION

Model	UPC	Pcs. per carton	Carton size	Carton weight	GTIN 14
ASD-UCB-9D3CC-WH	810050734608	20	14.8" x 10.4" x 8.7"	15 lbs	40810050734606
ASD-UCB-9D3CC-BZ	810128111546	20	14.8" x 10.4" x 8.7"	15 lbs	10810128111543
ASD-UCB-12D5CC-WH	810050734615	20	14.8" x 13.4" x 8.7"	18.9 lbs	30810050734616
ASD-UCB-12D5CC-WH-2PACK	810128112291	10	17.1" x 14.6" x 10.2"	19.8 lbs	10810128112298
ASD-UCB-12D5CC-BZ	810128110662	20	14.8" x 13.4" x 8.7"	18.9 lbs	10810128110669
ASD-UCB-18D8CC-WH	810050734639	20	19.3" x 14.8" x 8.7"	26.2 lbs	30810050734630
ASD-UCB-18D8CC-WH-2PACK	810128112307	10	20.7" x 17.1" x 10.2"	27.1 lbs	10810128112304
ASD-UCB-18D8CC-BZ	810128110679	20	19.3" x 14.8" x 8.7"	26.2 lbs	10810128110676
ASD-UCB-24D12CC-WH	810050734646	20	25.4" x 14.8" x 8.7"	33.5 lbs	30810050734647
ASD-UCB-24D12CC-WH-2PACK	810128112314	6	26.6" x 10.4" x 10.2"	22 lbs	10810128112311
ASD-UCB-24D12CC-BZ	810128110686	12	25.4" x 9.1" x 8.7"	20.9 lbs	10810128110683
ASD-UCB-32D16CC-WH	810050734653	12	33.5" x 9.1" x 8.7"	14.3 lbs	30810050734654
ASD-UCB-32D16CC-BZ	810128110693	12	33.5" x 9.1" x 8.7"	14.3 lbs	10810128110690
ASD-UCB-40D20CC-WH	810050734660	12	41.3" x 9.1" x 8.7"	32 lbs	30810050734661
ASD-UCB-48D24CC-WH	810050734677	12	49.4" x 9.1" x 8.7"	37.5 lbs	30810050734678
ASD-UCB-48D24CC-BZ	810128112987	6	50.6" x 7.7" x 10.2"	19.8 lbs	10810128112984
UCBS WITH POWER OUTLET					
ASD-UCBS-18N8CC-WH	810050738804	20	19.3" x 14.8" x 8.7"	26.2 lbs	10810050738801
ASD-UCBS-24N12CC-WH	810050738811	20	25.4" x 14.8" x 8.7"	35.3 lbs	10810050738818

For most up-to-date spec sheets please refer to asd-lighting.com