



# LED OUTDOOR WALL SCNCE

► **DESIGN** - LED OUTDOOR WALL SCNCE has a modern, multipurpose design and a stylish look with efficient lighting. Durable housing resistant to rust and impact provides many years of service. The UV resistant PMMA lens with a 120° beam angle grants you even light distribution. It is designed to operate on 120V or 120-277V circuits.

► **PHOTOCELL** - The built-in Dusk to Dawn Photocell will automatically turn the fixture on/off depending on the time of day.

► **COLOR SELECTABLE** - You can choose either a 3,000K warm white, 4,000K cool white or 5,000K daylight color temperature.

► **APPLICATION** - The fixture is rated for Wet Locations, making it perfect for indoor and outdoor projects such as decks, front doors, porches, patios, corridors, walkways, or any other common areas.

► **ADVANTAGES** - With a lifespan of 50,000 hours, these fixtures are made to last decades under normal operation! ASD provides a 5-year limited warranty along with ETL certification to guarantee top quality products and safety!

|                |  |
|----------------|--|
| Catalog number |  |
| Notes          |  |
| Type           |  |



Finish: Nickel Bronze Black

| Model                            | Size    | Watts | Voltage   | Dimmable | Lumens         | CCT                        | Finish            | Dimensions (LxWxH)      | Option    |
|----------------------------------|---------|-------|-----------|----------|----------------|----------------------------|-------------------|-------------------------|-----------|
| <b>OLWS-21</b>                   |         |       |           |          |                |                            |                   |                         |           |
| ASD-OLWS-21-D15CC-NK             | 10 inch | 15W   | 120 V     | TRIAC    | up to 1,098 lm | 3CCT (3,000/4,000/5,000 K) | Nickel            | 7" x 3-1/4" x 9-15/16"  | -         |
| ASD-OLWS-21-10D15CC-NK-2PACK     | 10 inch | 15W   | 120 V     | TRIAC    | up to 1,098 lm | 3CCT (3,000/4,000/5,000 K) | Nickel            | 7" x 3-1/4" x 9-15/16"  | -         |
| ASD-OLWS-21-D15CC-BZ             | 10 inch | 15W   | 120 V     | TRIAC    | up to 1,098 lm | 3CCT (3,000/4,000/5,000 K) | Oil rubbed bronze | 7" x 3-1/4" x 9-15/16"  | -         |
| ASD-OLWS-21-10D15CC-BZ-2PACK     | 10 inch | 15W   | 120 V     | TRIAC    | up to 1,098 lm | 3CCT (3,000/4,000/5,000 K) | Oil rubbed bronze | 7" x 3-1/4" x 9-15/16"  | -         |
| ASD-OLWS-21-MV-18D20CC-NK        | 18 inch | 20W   | 120-277 V | TRIAC    | up to 2,457 lm | 3CCT (3,000/4,000/5,000 K) | Nickel            | 7" x 3-1/4" x 17-15/16" | -         |
| ASD-OLWS-21-MV-18D20CC-BZ        | 18 inch | 20W   | 120-277 V | TRIAC    | up to 2,457 lm | 3CCT (3,000/4,000/5,000 K) | Oil rubbed bronze | 7" x 3-1/4" x 17-15/16" | -         |
| ASD-OLWS-21-MV-24D25CC-NK        | 24 inch | 25W   | 120-277 V | TRIAC    | up to 3,017 lm | 3CCT (3,000/4,000/5,000 K) | Nickel            | 7" x 3-1/4" x 23-13/16" | -         |
| ASD-OLWS-21-MV-24D25CC-BZ        | 24 inch | 25W   | 120-277 V | TRIAC    | up to 3,017 lm | 3CCT (3,000/4,000/5,000 K) | Oil rubbed bronze | 7" x 3-1/4" x 23-13/16" | -         |
| ASD-OLWS-21-MV-36D30CC-NK        | 36 inch | 30W   | 120-277 V | TRIAC    | up to 3,268 lm | 3CCT (3,000/4,000/5,000 K) | Nickel            | 7" x 3-1/4" x 36"       | -         |
| ASD-OLWS-21-MV-36D30CC-BK        | 36 inch | 30W   | 120-277 V | TRIAC    | up to 3,268 lm | 3CCT (3,000/4,000/5,000 K) | Black             | 7" x 3-1/4" x 36"       | -         |
| <b>OLWS-21-PC WITH PHOTOCELL</b> |         |       |           |          |                |                            |                   |                         |           |
| ASD-OLWS-21-N15CC-PC-NK          | 10 inch | 15W   | 120 V     | -        | up to 1,098 lm | 3CCT (3,000/4,000/5,000 K) | Nickel            | 7" x 3-1/4" x 10-7/16"  | Photocell |
| ASD-OLWS-21-10N15CC-PC-NK-2PACK  | 10 inch | 15W   | 120 V     | -        | up to 1,098 lm | 3CCT (3,000/4,000/5,000 K) | Nickel            | 7" x 3-1/4" x 10-7/16"  | Photocell |
| ASD-OLWS-21-N15CC-PC-BZ          | 10 inch | 15W   | 120 V     | -        | up to 1,098 lm | 3CCT (3,000/4,000/5,000 K) | Oil rubbed bronze | 7" x 3-1/4" x 10-7/16"  | Photocell |
| ASD-OLWS-21-10N15CC-PC-BZ-2PACK  | 10 inch | 15W   | 120 V     | -        | up to 1,098 lm | 3CCT (3,000/4,000/5,000 K) | Oil rubbed bronze | 7" x 3-1/4" x 10-7/16"  | Photocell |

For detailed luminous flux information please refer to Annex, page 4.

For most up-to-date spec sheets please refer to [asd-lighting.com](http://asd-lighting.com)



# LED OUTDOOR WALL SCNCE

## PRODUCT SPECIFICATIONS:

| Construction & Materials                     |   |  |                                 |                              |
|--|---|--|---------------------------------|------------------------------|
| Housing                                      | Aluminum  | for MV models: Steel                         |                                 |                              |
| Lens   | PMMA  | for MV models: Acrylic                       |                                 |                              |
| Finish                                       | Nickel, Oil rubbed bronze, Black                      |  |                                 |                              |
| Weight                                       | ASD-OLWS-21-D15CC-NK                                  | 1.8 lbs (0.8 kg)                             | ASD-OLWS-21-MV-24D25CC-BZ       | 4.5 lbs (2 kg)               |
|  | ASD-OLWS-21-10D15CC-NK-2PACK                          | 4.4 lbs (2 kg)                               | ASD-OLWS-21-MV-36D30CC-NK       | 6.2 lbs (2.8 kg)             |
|  | ASD-OLWS-21-D15CC-BZ                                  | 1.8 lbs (0.8 kg)                             | ASD-OLWS-21-MV-36D30CC-BK       |                              |
|  | ASD-OLWS-21-10D15CC-BZ-2PACK                          | 4.4 lbs (2 kg)                               | ASD-OLWS-21-N15CC-PC-NK         | 2.2 lbs (1 kg)               |
|  | ASD-OLWS-21-MV-18D20CC-NK                             | 3.7 lbs (1.7 kg)                             | ASD-OLWS-21-10N15CC-PC-NK-2PACK | 4.4 lbs (2 kg)               |
|  | ASD-OLWS-21-MV-18D20CC-BZ                             |  | ASD-OLWS-21-N15CC-PC-BZ         | 2.2 lbs (1 kg)               |
| ASD-OLWS-21-MV-24D25CC-NK                    | 4.5 lbs (2 kg)  | ASD-OLWS-21-10N15CC-PC-BZ-2PACK              | 4.4 lbs (2 kg)                  |                              |
| Environmental system                         |   |  |                                 |                              |
| Work environment                             | Suitable for Wet Locations                            |  |                                 |                              |
| Operating temperature                        | -40°F to 113°F (-40°C to 45°C)                        | for PC models: -4°F to 113°F (-20°C to 45°C) |                                 |                              |
| L-70 Life                                    | > 50,000 hrs  |  |                                 |                              |
| Optical system                               |   |  |                                 |                              |
| Color temperature                            | 3CCT switch (3,000/4,000/5,000 K), 3,000 K by default |  |                                 |                              |
| CRI  | > 80  |  |                                 |                              |
| Electrical system                            |   |  |                                 |                              |
| Input voltage                                | 120 V<br>for MV models: 120-277 V                     |  |                                 |                              |
| Max input current                            | ASD-OLWS-21-D15CC-NK                                  | 0.19 A                                       | ASD-OLWS-21-MV-24D25CC-BZ       | 0.23 A                       |
|  | ASD-OLWS-21-10D15CC-NK-2PACK                          |  | ASD-OLWS-21-MV-36D30CC-NK       | 0.28 A                       |
|  | ASD-OLWS-21-D15CC-BZ                                  |  | ASD-OLWS-21-MV-36D30CC-BK       |                              |
|  | ASD-OLWS-21-10D15CC-BZ-2PACK                          | 0.18 A                                       | ASD-OLWS-21-N15CC-PC-NK         | 0.19 A                       |
|  | ASD-OLWS-21-MV-18D20CC-NK                             |  | ASD-OLWS-21-10N15CC-PC-NK-2PACK |                              |
|  | ASD-OLWS-21-MV-18D20CC-BZ                             |  | ASD-OLWS-21-N15CC-PC-BZ         |                              |
| ASD-OLWS-21-MV-24D25CC-NK                    | 0.23 A  | ASD-OLWS-21-10N15CC-PC-BZ-2PACK              |                                 |                              |
| Inrush current (Action time)                 | ASD-OLWS-21-D15CC-NK                                  | 0.12 A (0.1 S)                               | ASD-OLWS-21-MV-24D25CC-BZ       | 0.21 A (0.1 S)               |
|  | ASD-OLWS-21-10D15CC-NK-2PACK                          |  | ASD-OLWS-21-MV-36D30CC-NK       | 0.25 A (0.1 S)               |
|  | ASD-OLWS-21-D15CC-BZ                                  |  | ASD-OLWS-21-MV-36D30CC-BK       |                              |
|  | ASD-OLWS-21-10D15CC-BZ-2PACK                          | 0.17 A (0.1 S)                               | ASD-OLWS-21-N15CC-PC-NK         | 0.12 A (0.1 S)               |
|  | ASD-OLWS-21-MV-18D20CC-NK                             |  | ASD-OLWS-21-10N15CC-PC-NK-2PACK |                              |
|  | ASD-OLWS-21-MV-18D20CC-BZ                             |  | ASD-OLWS-21-N15CC-PC-BZ         |                              |
| ASD-OLWS-21-MV-24D25CC-NK                    | 0.21 A (0.1 S)  | ASD-OLWS-21-10N15CC-PC-BZ-2PACK              |                                 |                              |
| Off state power                              | 0W  |  |                                 |                              |
| Power consumption                            | ASD-OLWS-21-D15CC-NK                                  | 15W  | ASD-OLWS-21-MV-24D25CC-BZ       | 25W                          |
|  | ASD-OLWS-21-10D15CC-NK-2PACK                          |  | ASD-OLWS-21-MV-36D30CC-NK       | 30W                          |
|  | ASD-OLWS-21-D15CC-BZ                                  |  | ASD-OLWS-21-MV-36D30CC-BK       |                              |
|  | ASD-OLWS-21-10D15CC-BZ-2PACK                          | 20W  | ASD-OLWS-21-N15CC-PC-NK         | 15W                          |
|  | ASD-OLWS-21-MV-18D20CC-NK                             |  | ASD-OLWS-21-10N15CC-PC-NK-2PACK |                              |
|  | ASD-OLWS-21-MV-18D20CC-BZ                             |  | ASD-OLWS-21-N15CC-PC-BZ         |                              |
| ASD-OLWS-21-MV-24D25CC-NK                    | 25W   | ASD-OLWS-21-10N15CC-PC-BZ-2PACK              |                                 |                              |
| Power factor                                 | > 0.9   |  |                                 |                              |
| Output voltage                               | -   | for MV models: 18-40 V                       |                                 |                              |
| Max output current                           | -   | for MV 18 inch models: 0.52 A                | for MV 24 inch models: 0.6 A    | for MV 36 inch models: 0.7 A |
| Surge protection DM/CM                       | 1.25 kV / 1.25 kV                                     |  |                                 |                              |
| Dimming range                                |   |  |                                 |                              |
| 10-100%                                      |   |  |                                 |                              |
| Dimming compatible controls                  |   |  |                                 |                              |
| Brand  | Lutron  |  | Leviton                         |                              |
| Models                                       | MACL-153MLH-WH  | MA153MLH-WH                                  | R02-DW6HD-2RW                   |                              |
|  | STCL-153PH-WH   | MA153PH-WH                                   | R00-RNL06-0TW                   |                              |
|  | PD-6WCL-WH-R  | MA153PH-R                                    | R68-06674-POT                   |                              |
|  | DVCL-153PR  | MA153PR                                      | DSL06                           |                              |
|  | P-PKG1W   | MA153PR                                      |                                 |                              |
| Regular and voluntary certifications         |   |  |                                 |                              |
| 5-year limited warranty                      |   |  |                                 |                              |
| Energy Star listed (except MV and PC models) |   |  |                                 |                              |
| cETLus certified 4001256                     |   |  |                                 |                              |

## BUILT-IN PHOTOCCELL INFORMATION

The dusk-to-dawn sensor automatically turns the fixture off during daylight hours.

| Specifications          | Model: MD.EP-120R              |
|-------------------------|--------------------------------|
| Input power             | 120 Vac, 60 Hz                 |
| Light level to turn ON  | 30 ~ 150 lux (2.8 ~ 14 fc)     |
| Light level to turn OFF | 200 ~ 800 lux (18.6 ~ 74.4 fc) |
| Operating temperature   | -4°F to 122°F (-20°C to 50°C)  |

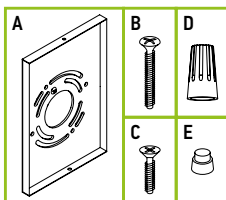
For most up-to-date spec sheets please refer to [asd-lighting.com](http://asd-lighting.com)



# LED OUTDOOR WALL SCENCE

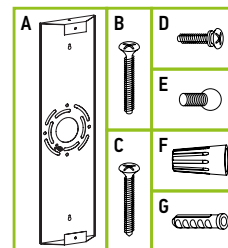
## PACKAGE CONTENTS FOR 10" MODELS:

| Description                          | Q-ty            |
|--------------------------------------|-----------------|
| LED Outdoor Wall Sconce              | 1 (2 for 2pack) |
| Mounting plate (A)                   | 1               |
| Mounting screw (B)                   | 2               |
| Fixture screw (C)                    | 2               |
| Wire nut (D)                         | 3               |
| Photocell cap (E) only for PC models | 1               |
| Box                                  | 1               |



## PACKAGE CONTENTS FOR 18, 24, 36" MODELS:

| Description             | Q-ty                      |
|-------------------------|---------------------------|
| LED Outdoor Wall Sconce | 1                         |
| Mounting plate (A)      | 1                         |
| Mounting screw (B)      | 2                         |
| Self-tapping screw (C)  | 2 for 18", 4 for 24", 36" |
| Fixture screw (D)       | 2                         |
| Decorative screw (E)    | 2                         |
| Wire nut (F)            | 3                         |
| Anchor (G)              | 2 for 18", 4 for 24", 36" |
| Box                     | 1                         |



## INSTALLATION GUIDE

### IMPORTANT SAFETY INFORMATION:

Please read all the instructions below before installation.

- ▶ Make sure that the supply voltage corresponds to the rated product voltage.
- ▶ The product must be installed by a qualified electrician in accordance with the National Electrical Code and corresponding local codes.
- ▶ If the product is damaged, do not use it.

### ⚠ WARNING

**RISK OF PERSONAL INJURY – READ and follow all WARNINGS and installation instructions.** Keep or give to the owner for future reference.

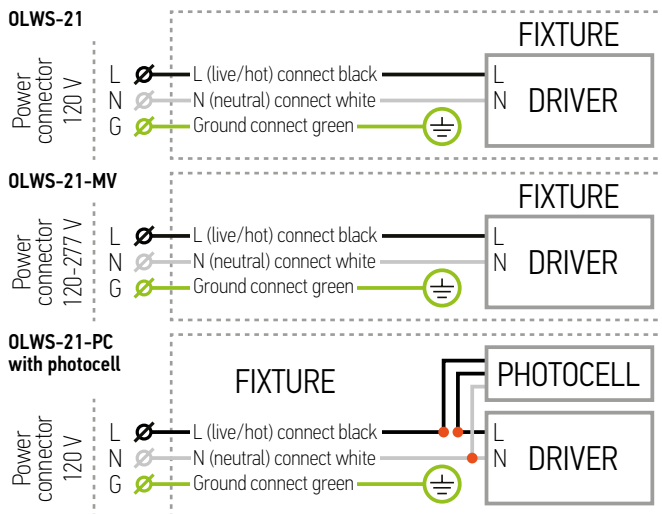
**Risk of cuts:** Wear gloves to prevent cuts or abrasions when removing from carton, handling, installing, and maintaining this product.

**Risk of electric shock:** This product must be installed in accordance with the applicable installation code by a person familiar with the construction and operation of the product and the hazards involved.

**Risk of Fire:** Minimum 194°F supply conductors. Consult a qualified electrician to ensure correct branch circuit conductor.

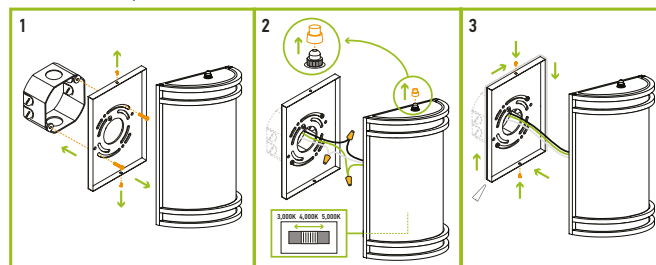
ASD® assumes no responsibility for claims arising out of improper or careless installation or handling of this product.

### ELECTRICAL SCHEMATIC DIAGRAM:



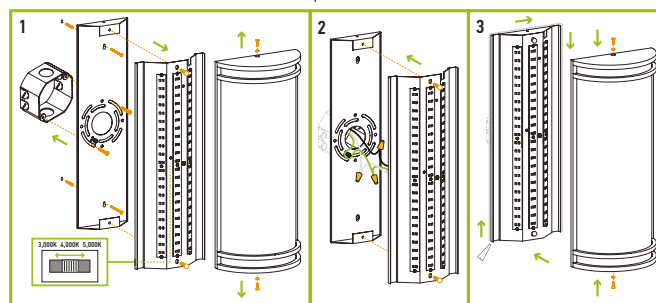
### INSTALLATION STEPS FOR MODELS 10":

1. Unscrew the two fixture screws from the top and the bottom of the wall sconce. Remove the wall plate and attach it to the outlet box using two mounting screws.
2. Choose preferred color temperature by adjusting the switch position inside the fixture. Connect the wires: Black to Black, White to White, Ground to Ground. Secure the connection with wire nuts. Remove the photocell cap to make the dusk-to-dawn sensor operate.
3. Attach the fixture firmly to the wall plate and secure it with two fixture screws on the top and the bottom. For outdoor locations please use silicone (not included) as shown on a picture.



### INSTALLATION STEPS FOR MODELS 18-24-36":

1. Unscrew the two fixture screws from the top and the bottom of the wall sconce. Remove the cover and bottom perforated plate, then unscrew two screws from LED panel, and detach it from the wall plate. Attach wall plate to the outlet box using two mounting screws and fit it on a wall with two or four additional screws (depending on model). Choose preferred color temperature by adjusting the switch position inside the fixture.
2. Connect the wires: Black to Black, White to White, Ground to Ground. Secure the connection with wire nuts. Attach the LED panel to the wall plate and secure it with two screws on the top and on the bottom.
3. Attach the cover and bottom perforated plate to the wall plate, and secure it with two screws on the top and on the bottom. For outdoor locations, please use silicone (not included) as shown on a picture.



For most up-to-date spec sheets please refer to [asd-lighting.com](http://asd-lighting.com)



# LED OUTDOOR WALL SCNCE

## ORDERING INFORMATION

| Model                            | UPC          | Pcs. per carton | Carton size          | Carton weight | GTIN 14        |
|----------------------------------|--------------|-----------------|----------------------|---------------|----------------|
| <b>OLWS-21</b>                   |              |                 |                      |               |                |
| ASD-OLWS-21-D15CC-NK             | 810050731379 | 4               | 12.4" x 18.9" x 10"  | 11.9 lbs      | 30810050731370 |
| ASD-OLWS-21-10D15CC-NK-2PACK     | 810128112383 | 2               | 18.9" x 9.7" x 12.4" | 11.3 lbs      | 10810128112380 |
| ASD-OLWS-21-D15CC-BZ             | 810050731386 | 4               | 12.4" x 18.9" x 10"  | 11.9 lbs      | 30810050731387 |
| ASD-OLWS-21-10D15CC-BZ-2PACK     | 810128112390 | 2               | 18.9" x 9.7" x 12.4" | 11.3 lbs      | 10810128112397 |
| ASD-OLWS-21-MV-18D20CC-NK        | 810128112789 | 2               | 20.3" x 9.7" x 10.4" | 10.4 lbs      | 10810128112786 |
| ASD-OLWS-21-MV-18D20CC-BZ        | 810128112772 | 2               | 20.3" x 9.7" x 10.4" | 10.4 lbs      | 10810128112779 |
| ASD-OLWS-21-MV-24D25CC-NK        | 810128112802 | 2               | 26.2" x 9.7" x 10.4" | 12.4 lbs      | 10810128112809 |
| ASD-OLWS-21-MV-24D25CC-BZ        | 810128112796 | 2               | 26.2" x 9.7" x 10.4" | 12.4 lbs      | 10810128112793 |
| ASD-OLWS-21-MV-36D30CC-NK        | 810128115711 | 2               | 38.2" x 9.7" x 10.4" | 18.6 lbs      | 10810128115718 |
| ASD-OLWS-21-MV-36D30CC-BK        | 810128115728 | 2               | 38.2" x 9.7" x 10.4" | 18.6 lbs      | 10810128115725 |
| <b>OLWS-21-PC WITH PHOTOCELL</b> |              |                 |                      |               |                |
| ASD-OLWS-21-N15CC-PC-NK          | 810050737760 | 4               | 12.4" x 18.9" x 10"  | 11.9 lbs      | 10810050737767 |
| ASD-OLWS-21-10N15CC-PC-NK-2PACK  | 810128113502 | 2               | 12.4" x 18.9" x 9.7" | 11.3 lbs      | 10810128113509 |
| ASD-OLWS-21-N15CC-PC-BZ          | 810050737753 | 4               | 12.4" x 18.9" x 10"  | 11.9 lbs      | 10810050737750 |
| ASD-OLWS-21-10N15CC-PC-BZ-2PACK  | 810128111195 | 2               | 12.4" x 18.9" x 9.7" | 11.3 lbs      | 10810128111192 |

## ANNEX 1

| Model  | Watts | 3,000 K  | 4,000 K  | 5,000 K  |
|--|-------|----------|----------|----------|
| ASD-OLWS-21-D15CC-NK<br>ASD-OLWS-21-10D15CC-NK-2PACK<br>ASD-OLWS-21-D15CC-BZ<br>ASD-OLWS-21-10D15CC-BZ-2PACK<br>ASD-OLWS-21-N15CC-PC-NK<br>ASD-OLWS-21-10N15CC-PC-NK-2PACK<br>ASD-OLWS-21-N15CC-PC-BZ<br>ASD-OLWS-21-10N15CC-PC-BZ-2PACK | 15W   | 1,022 lm | 1,098 lm | 1,067 lm |
| ASD-OLWS-21-MV-18D20CC-NK<br>ASD-OLWS-21-MV-18D20CC-BZ   | 20W   | 2,215 lm | 2,457 lm | 2,359 lm |
| ASD-OLWS-21-MV-24D25CC-NK<br>ASD-OLWS-21-MV-24D25CC-BZ   | 25W   | 2,692 lm | 3,017 lm | 2,905 lm |
| ASD-OLWS-21-MV-36D30CC-NK<br>ASD-OLWS-21-MV-36D30CC-BK   | 30W   | 2,972 lm | 3,268 lm | 3,159 lm |

For most up-to-date spec sheets please refer to [asd-lighting.com](http://asd-lighting.com)

ASD LIGHTING CORP

E-mail: [orders@asd-lighting.com](mailto:orders@asd-lighting.com) | Web site: [www.asd-lighting.com](http://www.asd-lighting.com)

