



LED OUTDOOR WALL SCONCE

► **DESIGN & OPTIONS** - LED OUTDOOR WALL SCONCE has a modern, multipurpose design and a sleek look with efficient lighting. The durable aluminum base is highly resistant to rust and the clear seeded glass shade filled with air bubbles creates a luxurious glow. It is also CCT selectable, letting you set it to 3,000K, 4,000K or 5,000K with a simple switch. The dimmable driver and 180° beam angle ensure smooth and even lighting for any room. It comes in 13" and 18" sizes with a BLACK finish.



Models with a built-in PC automatically turn on/off depending on the time of day.

► **INSTALLATION** - Installation is quick and easy: just attach the mounting plate to the outlet box with screws, connect the wires, and fasten the fixture to the mounting plate. All necessary installation accessories are provided. Refer to install instructions for detailed steps.

► **APPLICATION** - This LED OUTDOOR WALL SCONCE is an ideal maintenance-free solution for residential and commercial applications. It creates a cozy ambience that is perfect for indoor and outdoor projects such as decks, front doors, porches, gardens, corridors, balconies, villas, and walkways. The fixture is Wet Location rated and suitable for severe weather conditions.

► **ENERGY SAVINGS & EFFICIENCY** - With a lifespan of 50,000 hours, these fixtures are made to last decades under normal operation! This fixture can cut your electric bill by up to 80% instantly and will save you a significant amount of money in its lifetime.

► **CERTIFICATION & WARRANTY** - Buy with confidence: ASD provides a 5-year warranty along with ETL certification to guarantee top quality products and safety!

Catalog number	
Notes	
Type	



AVAILABLE

Model	Size	Watts	Voltage	Dimmable	Lumens	CCT	Finish	Dimensions (LxWxH)	Option
ASD-LWS26S-13D12CC-BK	13 inch	11.5W	120 V	TRIAC	498/566/520 lm	3CCT (3,000/4,000/5,000 K)	Black	13-3/4" x 4-3/4" x 2-1/2"	-
ASD-LWS26S-18D12CC-BK	18 inch	11.5W	120 V	TRIAC	428/495/455 lm	3CCT (3,000/4,000/5,000 K)	Black	18" x 4-3/4" x 2-1/2"	-
LWS26S-PC WITH PHOTOCELL									
ASD-LWS26S-13N12CC-PC-BK	13 inch	11.5W	120 V	-	498/566/520 lm	3CCT (3,000/4,000/5,000 K)	Black	13-7/8" x 4-3/4" x 2-1/2"	PhotoCell

ORDERING INFORMATION

Model	UPC	Pcs. per carton	Carton size	Carton weight	GTIN 14
ASD-LWS26S-13D12CC-BK	810050734868	4	17.3" x 10.2" x 16.3"	18.5 lb	30810050734869
ASD-LWS26S-18D12CC-BK	810050734875	4	17.3" x 10.2" x 20.5"	23.5 lb	30810050734876
LWS26S-PC WITH PHOTOCELL					
ASD-LWS26S-13N12CC-PC-BK	810050736763	4	17.3" x 10.2" x 16.7"	18.9 lb	30810050736764

For most up-to-date spec sheets please refer to asd-lighting.com

ASD LIGHTING CORP

E-mail: orders@asd-lighting.com | Web site: www.asd-lighting.com





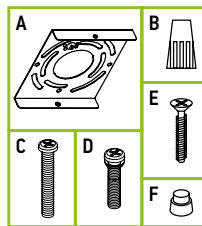
LED OUTDOOR WALL SCENCE

PRODUCT SPECIFICATIONS:

Construction & Materials			
Housing	Aluminum		
Lens	Clear seeded glass		
Finish	Black		
Weight	ASD-LWS265-13D12CC-BK	3.8 lb (1.7 kg)	
	ASD-LWS265-18D12CC-BK	4.7 lb (2.2 kg)	
	ASD-LWS265-13N12CC-PC-BK	3.8 lb (1.7 kg)	
Environmental system			
Work environment	Suitable for Wet Locations		
Operating temperature	-4°F to 122°F (-20°C to 50°C)		
L-70 Life	> 50,000 hrs		
Optical system			
Luminous flux	ASD-LWS265-13D12CC-BK	498/566/520 lm	
	ASD-LWS265-18D12CC-BK	428/495/455 lm	
	ASD-LWS265-13N12CC-PC-BK	498/566/520 lm	
Color temperature	3CCT (3,000/4,000/5,000 K)		
CRI	> 80		
Electrical system			
Input voltage	120 V		
Max input current	0.16 A		
Inrush current (Action time)	0.1 A (0.1 S)		
Off state power	0W		
Power consumption	11.5W		
Power factor	> 0.9		
Output voltage	36 V		
Max output current	0.3 A		
Surge protection DM/CM	1.25 kV / 1.25 kV		
Dimming range			
10-100%			
Dimming compatible controls			
Brand	Lutron	Leviton	
Models	MACL-153MLH	TGCL-153P	P-PKG1W
	DVCL-153PR	CTCL-153P	PD-6WCL
	STCL-153PH		RNL06
Regular and voluntary certifications			
5-year limited warranty	cETLus certified 4001256		

PACKAGE CONTENTS:

Description	Q-ty
LED Outdoor Wall Sconce	1
Mounting plate (A)	1
Wire nut (B)	3
Mounting screw (C)	2
Back plate screw (D)	2
Black screw (E)	2
Photocell cap (F) only for PC models	1
Box	1



BUILT-IN PHOTOCELL INFORMATION

Specifications	Model: MD.EP-120R
Input power	120 VAC, 60HZ
Light level to turn ON	30 ~ 150 Lux (2.8 - 14 Fc)
Light level to turn OFF	200 ~ 800 Lux (18.6 - 74.4 Fc)
Operating temperature	-4°F to 122°F (-20°C to 50°C)

The dusk-to-dawn sensor automatically turns the fixture off during daylight hours.

INSTALLATION GUIDE

IMPORTANT SAFETY INFORMATION:

Please read all the instructions below before installation.

- ▶ Make sure that the supply voltage corresponds to the rated product voltage.
- ▶ The product must be installed by a qualified electrician in accordance with the National Electrical Code and corresponding local codes.
- ▶ If the product is damaged, do not use it.

⚠ WARNING

RISK OF PERSONAL INJURY – READ and follow all WARNINGS and installation instructions. Keep or give to the owner for future reference.

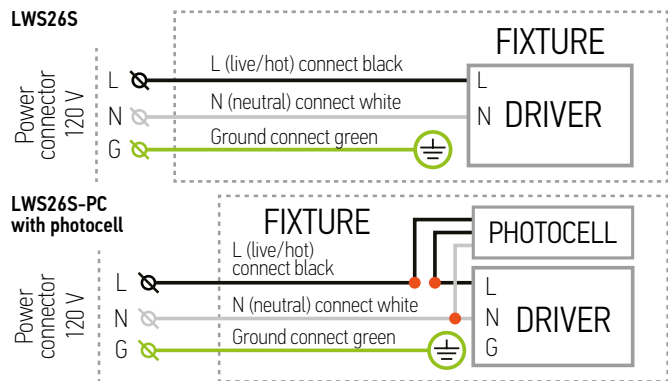
Risk of cuts: Wear gloves to prevent cuts or abrasions when removing from carton, handling, installing, and maintaining this product.

Risk of electric shock: This product must be installed in accordance with the applicable installation code by a person familiar with the construction and operation of the product and the hazards involved.

Risk of Fire: Minimum 194°F supply conductors. Consult a qualified electrician to ensure correct branch circuit conductor.

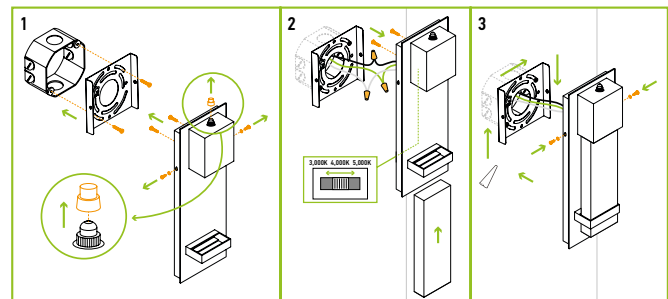
ASD® assumes no responsibility for claims arising out of improper or careless Installation or handling of this product.

ELECTRICAL SCHEMATIC DIAGRAM:



INSTALLATION STEPS:

1. Remove the mounting plate by unscrewing the black screws from both sides of the fixture. Unscrew the two screws from the back plate of the fixture. Attach the mounting plate to the outlet box using two mounting screws. In models with photocell option remove the photocell cap to make the dusk-to-dawn sensor operate.
2. Slide the glass through the bracket at the base of the fixture until fully inserted. Attach the glass by using two screws on the back plate of the fixture. Choose needed color temperature by adjusting switch position. Connect the wires: Black to Black, White to White, Ground to Ground. Secure the connection with wire nuts.
3. Attach the fixture to the mounting plate using two black screws on both sides. Before tightening the screws, align the holes of both the fixture and the mounting plate to ensure a solid fit. For outdoor locations please use silicone (not included) shown in the picture below.



For most up-to-date spec sheets please refer to asd-lighting.com