



LED AREA LIGHT

► **DESIGN** - LED AREA LIGHT WITH PHOTOCELL has die-cast aluminum housing with excellent heat dissipation and anti-glare PC type III-M lens with even light distribution. With 10kV surge protection, it is designed to operate on 120-277V circuits with a 0-10V dimmable driver. Integrated photocell switches the fixture on at night time. Photocell can be easily deactivated by putting the cap on.

► **SURGE PROTECTION** - 10kV protects the fixture from voltage spikes and current surges.

► 3G vibration rated, withstands conditions with repeated vibration, making it conform to standards for roadway.

► **INSTALLATION** - This fixture is Wet Locations rated and can be pole, post, or wall mounted using the slip fitter bracket, arm bracket, floodlight bracket, or full trunnion bracket. It comes with a 3.9ft cord. Perfect commercial or industrial solution for roadway lighting, highway lighting, sport lighting, parks, parking lots, backyards, and many other applications.

► **ADVANTAGES** - With calculated lifespan up to 163,000 hours, these fixtures are made to last decades under normal operation! ASD provides a 5-year limited warranty along with UL and DLC Premium certifications to guarantee top quality products and safety!

<i>Catalog number</i>	
<i>Notes</i>	
<i>Type</i>	









Model	Watts	Voltage	Dimmable	Lumens	CCT	Finish	Dimensions (LxWxH)	Cord	Bracket	Option
ASD-LSB5-150D50BR	150W	120-277 V	0-10 V	22,398 lm	5,000 K	Bronze	14-5/16" x 11" x 2-13/16"	3.9 ft	-	Photocell
ASD-LSB5-150D50BR-SF	150W	120-277 V	0-10 V	22,398 lm	5,000 K	Bronze	21-5/16" x 11" x 3-1/16"	3.9 ft	Slip fitter	Photocell
ASD-LSB5-150D50BR-AMR	150W	120-277 V	0-10 V	22,398 lm	5,000 K	Bronze	22-1/4" x 11" x 6-1/4"	3.9 ft	Arm	Photocell
ASD-LSB5-200D50BR	200W	120-277 V	0-10 V	30,071 lm	5,000 K	Bronze	14-5/16" x 11" x 2-13/16"	3.9 ft	-	Photocell
ASD-LSB5-200D50BR-SF	200W	120-277 V	0-10 V	30,071 lm	5,000 K	Bronze	21-5/16" x 11" x 3-1/16"	3.9 ft	Slip fitter	Photocell
ASD-LSB5-200D50BR-AMR	200W	120-277 V	0-10 V	30,071 lm	5,000 K	Bronze	22-1/4" x 11" x 6-1/4"	3.9 ft	Arm	Photocell
ASD-LSB5-240D50BR	240W	120-277 V	0-10 V	35,843 lm	5,000 K	Bronze	18-1/2" x 12-9/16" x 2-13/16"	3.9 ft	-	Photocell
ASD-LSB5-300D50BR	300W	120-277 V	0-10 V	44,069 lm	5,000 K	Bronze	18-1/2" x 12-9/16" x 2-13/16"	3.9 ft	-	Photocell
ASD-LSB5-300D50BR-SF	300W	120-277 V	0-10 V	44,069 lm	5,000 K	Bronze	25-9/16" x 12-9/16" x 3-1/16"	3.9 ft	Slip fitter	Photocell
ASD-LSB5-300D50BR-AMR	300W	120-277 V	0-10 V	44,069 lm	5,000 K	Bronze	26-1/2" x 12-9/16" x 6-1/4"	3.9 ft	Arm	Photocell

For most up-to-date spec sheets please refer to asd-lighting.com



LED AREA LIGHT

PRODUCT SPECIFICATIONS:

Construction & Materials						
Housing	Aluminum					
Lens	PC					
Finish	Bronze					
Weight	ASD-LSB5-150D50BR	7.1 lbs (3.2 kg)	ASD-LSB5-200D50BR	7.1 lbs (3.2 kg)	ASD-LSB5-240D50BR	9.3 lbs (4.2 kg)
	ASD-LSB5-150D50BR-SF	8.6 lbs (3.9 kg)	ASD-LSB5-200D50BR-SF	8.6 lbs (3.9 kg)	ASD-LSB5-300D50BR	
	ASD-LSB5-150D50BR-AMR	9.4 lbs (4.3 kg)	ASD-LSB5-200D50BR-AMR	9.4 lbs (4.3 kg)	ASD-LSB5-300D50BR-SF	10.8 lbs (4.9 kg)
					ASD-LSB5-300D50BR-AMR	11.6 lbs (5.3 kg)
Environmental system						
Work environment	Suitable for Wet Locations, IP66					
Operating temperature	-4°F to 122°F (-20°C to 50°C)					
L-70 Life	R > 54,000 hrs; C > 163,000 hrs					
Optical system						
Luminous flux	ASD-LSB5-150D50BR	22,398 lm	ASD-LSB5-200D50BR	30,071 lm	ASD-LSB5-240D50BR	35,843 lm
	ASD-LSB5-150D50BR-SF		ASD-LSB5-200D50BR-SF		ASD-LSB5-300D50BR	
	ASD-LSB5-150D50BR-AMR		ASD-LSB5-200D50BR-AMR		ASD-LSB5-300D50BR-SF	44,069 lm
					ASD-LSB5-300D50BR-AMR	
Color temperature	5,000 K					
CRI	> 70					
Electrical system						
Input voltage	Regular voltage: 120-277 V					
Max input current	ASD-LSB5-150D50BR	2 A	ASD-LSB5-200D50BR	2.6 A	ASD-LSB5-240D50BR	3 A
	ASD-LSB5-150D50BR-SF		ASD-LSB5-200D50BR-SF		ASD-LSB5-300D50BR	
	ASD-LSB5-150D50BR-AMR		ASD-LSB5-200D50BR-AMR		ASD-LSB5-300D50BR-SF	4 A
					ASD-LSB5-300D50BR-AMR	
Inrush current (Action time)	75 A (0.35 S)					
Off state power	0W					
Power consumption	ASD-LSB5-150D50BR	150W	ASD-LSB5-200D50BR	200W	ASD-LSB5-240D50BR	240W
	ASD-LSB5-150D50BR-SF		ASD-LSB5-200D50BR-SF		ASD-LSB5-300D50BR	
	ASD-LSB5-150D50BR-AMR		ASD-LSB5-200D50BR-AMR		ASD-LSB5-300D50BR-SF	300W
					ASD-LSB5-300D50BR-AMR	
Power factor	> 0.9					
Output voltage	180-260 V					
Max output current	ASD-LSB5-150D50BR	0.5-0.75 A	ASD-LSB5-200D50BR	0.65-0.9 A	ASD-LSB5-240D50BR	0.75-1.1 A
	ASD-LSB5-150D50BR-SF		ASD-LSB5-200D50BR-SF		ASD-LSB5-300D50BR	
	ASD-LSB5-150D50BR-AMR		ASD-LSB5-200D50BR-AMR		ASD-LSB5-300D50BR-SF	1.1-1.5 A
					ASD-LSB5-300D50BR-AMR	
Surge protection DM/CM	6 kV / 6 kV					
Effective projected area (EPA) ratings						
Fixture q-ty						
	Single	Double 180°	Double 90°	Triple 90°	Triple 120°	Quad 90°
EPA of 100/150/200W	0.28	0.52	0.52	0.8	0.74	0.8
EPA of 240/300W	0.33	0.61	0.69	0.85	0.83	0.85
Dimming compatible controls						
Brand	Eaton					
Models	SF10P		DF10P			
Regular and voluntary certifications						
5-year limited warranty						
DesignLights Consortium (DLC) listed (Classification: Premium) Main: Outdoor luminaires; General application: High/Very high output (Very high output for models from 240W and higher); Primary use: Outdoor pole/arm-mounted area and roadway luminaires						
UL certified E473804						



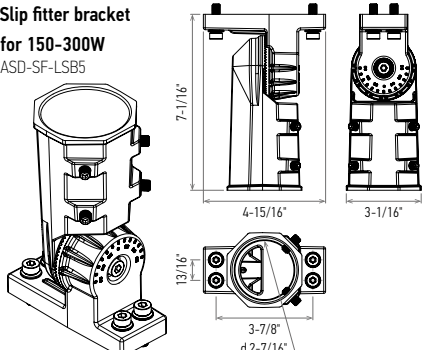
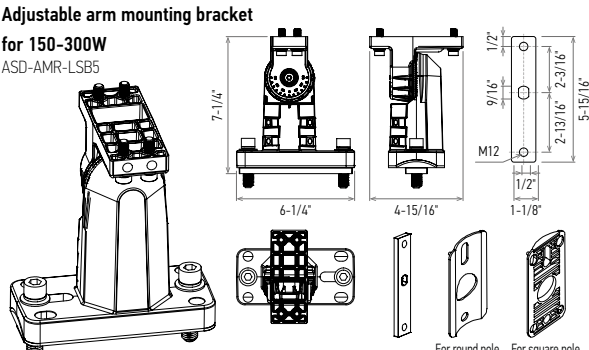
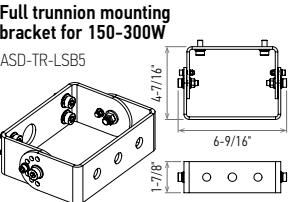
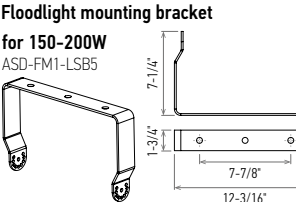
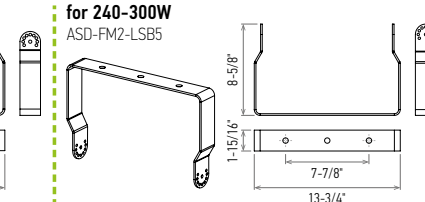
PACKAGE CONTENTS:

Description	Q-ty
LED Area Light	1
Box	1

For most up-to-date spec sheets please refer to asd-lighting.com

ASD[®] LED AREA LIGHT

ACCESSORIES (sold separately):

<p>Clear lens for 150-200W</p>  <p>type II-M ASD-L2A-LSB5</p> <p>type IV-S ASD-L4A-LSB5</p> <p>type V-S ASD-L5A-LSB5</p> <p>for 240-300W</p>  <p>type II-M ASD-L2B-LSB5</p> <p>type IV-S ASD-L4B-LSB5</p> <p>type V-S ASD-L5B-LSB5</p>	<p>Slip fitter bracket for 150-300W ASD-SF-LSB5</p>  <p>7-1/16"</p> <p>4-15/16"</p> <p>3-1/16"</p> <p>13/16"</p> <p>3-7/8"</p> <p>d 2-7/16"</p>	<p>Adjustable arm mounting bracket for 150-300W ASD-AMR-LSB5</p>  <p>7-1/4"</p> <p>6-1/4"</p> <p>4-15/16"</p> <p>1/2"</p> <p>9/16"</p> <p>2-13/16"</p> <p>2-3/16"</p> <p>5-15/16"</p> <p>M12</p> <p>1/2"</p> <p>1-1/8"</p> <p>For round pole</p> <p>For square pole</p>
<p>Full trunnion mounting bracket for 150-300W ASD-TR-LSB5</p>  <p>4-7/16"</p> <p>6-9/16"</p> <p>1-7/8"</p>	<p>Floodlight mounting bracket for 150-200W ASD-FM1-LSB5</p>  <p>7-1/4"</p> <p>1-3/4"</p> <p>7-7/8"</p> <p>12-3/16"</p>	<p>Floodlight mounting bracket for 240-300W ASD-FM2-LSB5</p>  <p>8-5/8"</p> <p>1-15/16"</p> <p>7-7/8"</p> <p>13-3/4"</p>

ACCESSORY COMPATIBILITY LIST:

Model	Accessories	Clear lens for 150-200W ASD-L2A-LSB5 (type II-M) ASD-L4A-LSB5 (type IV-S) ASD-L5A-LSB5 (type V-S)	Clear lens for 240-300W ASD-L2B-LSB5 (type II-M) ASD-L4B-LSB5 (type IV-S) ASD-L5B-LSB5 (type V-S)	Full trunnion mounting bracket for 150-300W ASD-TR-LSB5-WH ASD-TR-LSB5-SL ASD-TR-LSB5-BR ASD-TR-LSB5-BK	Slip fitter bracket for 150-300W ASD-SF-LSB5-WH ASD-SF-LSB5-SL ASD-SF-LSB5-BR ASD-SF-LSB5-BK	Adjustable arm mounting bracket for 150-300W ASD-AMR-LSB5-WH ASD-AMR-LSB5-SL ASD-AMR-LSB5-BR ASD-AMR-LSB5-BK	Floodlight mounting bracket for 150-200W ASD-FM1-LSB5-WH ASD-FM1-LSB5-SL ASD-FM1-LSB5-BR ASD-FM1-LSB5-BK	Floodlight mounting bracket for 240-300W ASD-FM2-LSB5-WH ASD-FM2-LSB5-SL ASD-FM2-LSB5-BR ASD-FM2-LSB5-BK
ASD-LSB5-150D50BR		•		•	•	•	•	
ASD-LSB5-150D50BR-SF		•						
ASD-LSB5-150D50BR-AMR		•						
ASD-LSB5-200D50BR		•		•	•	•	•	
ASD-LSB5-200D50BR-SF		•						
ASD-LSB5-200D50BR-AMR		•						
ASD-LSB5-240D50BR			•	•	•	•		•
ASD-LSB5-300D50BR			•	•	•	•		•
ASD-LSB5-300D50BR-SF			•					
ASD-LSB5-300D50BR-AMR			•					

BUILT-IN PHOTOCCELL INFORMATION

The fixtures with a built-in photocell automatically turn off during daylight hours.

Specifications	
Light level to turn ON	≤ 80 lux (≤ 7.4 fc)
Light level to turn OFF	≥ 150 lux (≥ 13.9 fc)
Operating temperature	-40°F to 140°F (-40°C to 60°C)

For most up-to-date spec sheets please refer to asd-lighting.com



LED AREA LIGHT

INSTALLATION GUIDE

IMPORTANT SAFETY INFORMATION:

Please read all the instructions below before installation.

- ▶ Make sure that the supply voltage corresponds to the rated product voltage.
- ▶ The product must be installed by a qualified electrician in accordance with the National Electrical Code and corresponding local codes.
- ▶ If the product is damaged, do not use it.

⚠ WARNING

RISK OF PERSONAL INJURY – READ and follow all WARNINGS and installation instructions. Keep or give to the owner for future reference.

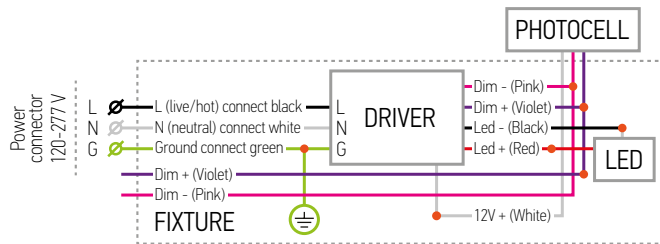
Risk of cuts: Wear gloves to prevent cuts or abrasions when removing from carton, handling, installing, and maintaining this product.

Risk of electric shock: This product must be installed in accordance with the applicable installation code by a person familiar with the construction and operation of the product and the hazards involved.

Risk of Fire: Minimum 194°F supply conductors. Consult a qualified electrician to ensure correct branch circuit conductor.

ASD® assumes no responsibility for claims arising out of improper or careless installation or handling of this product.

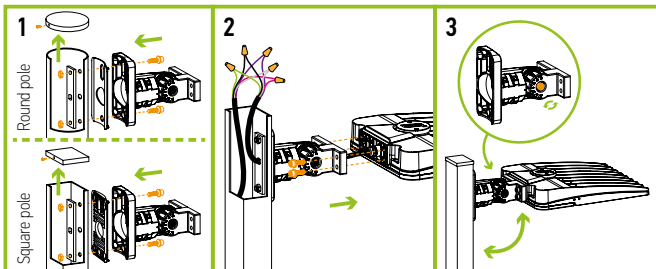
ELECTRICAL SCHEMATIC DIAGRAM:



ADJUSTABLE ARM MOUNTING BRACKET

ASD-AMR-LSB5 sold separately:

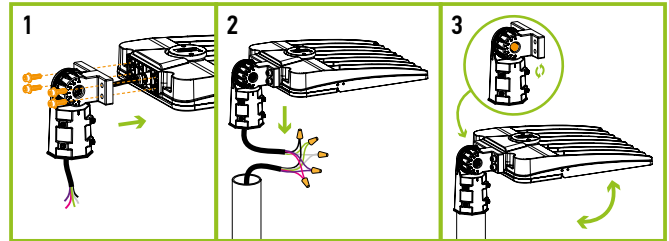
1. Open up the door on the arm bracket (1 screw). Install the mounting arm onto the pole (2 bolts). Make sure the silicone gaskets form a tight seal. Choose gasket depending on the shape of the pole (round or flat).
2. Thread the cord from the fixture through the bracket into the pole and tighten the two M8 screws on the body of the light. Wire in accordance with wiring schematic.
3. Adjust the fixture angle with the large hex bolt on the side of the bracket if necessary.



SLIP FITTER MOUNTING BRACKET

ASD-SF-LSB5 sold separately:

1. Thread the wire through the slip fitter and secure it to the fixture with four screws.
2. Make AC connections in accordance with wiring diagram.
3. If necessary adjust the fixture angle with the large hex bolt on the side of the slip fitter.

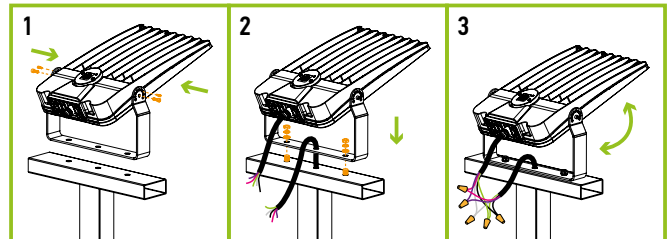


The wiring is inside the pole, the side is sealed with a rubber ring and secured with screws, preventing water from getting inside the fixture.

FLOODLIGHT MOUNTING BRACKET

ASD-FM1-LSB5 **ASD-FM2-LSB5** sold separately:

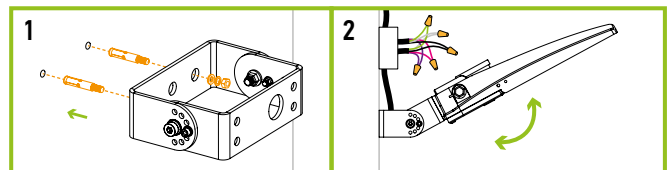
1. Drill holes on the mounting surface corresponding to the holes in the arm. Attach fixture to bracket with 2 screws.
2. Align bracket holes with mounting surface holes and secure with 2 screws.
3. Wire in accordance with the wiring schematic. Seal the connections with the back plate of the fixture. Adjust fixture angle as needed.



FULL TRUNNION MOUNTING BRACKET

ASD-TR-LSB5 sold separately:

1. Drill holes on the mounting surface matching in size to the holes on the arm. Secure the bracket on the wall with screws. Pull wires through mount, secure fixture to the bracket.
2. Wire the AC power into the water tight junction box as shown in the wiring schematic diagram. Adjust the screw position to get desired angle when necessary.



For most up-to-date spec sheets please refer to asd-lighting.com



LED AREA LIGHT

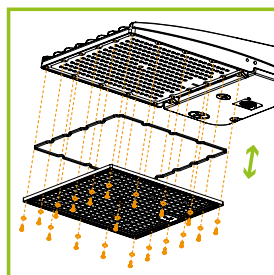
LENS ASD-L2A-LSB5 ASD-L2B-LSB5

ASD-L4A-LSB5 ASD-L4B-LSB5 ASD-L5A-LSB5

ASD-L5B-LSB5 sold separately:

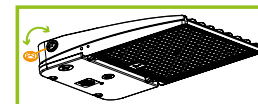
1. Unscrew all screws from the original lens (T3-M) on the housing.
2. Install the rubber ring on new lens (T4/T5-M, sold separately).
3. Place the lens on the housing and make sure it fits the LEDs correctly.
4. Tighten all the screws back.

Lens	
150W, 200W	1 lens (L2A, L4A, L5A)
240W, 300W	1 lens (L2B, L4B, L5B)



PHOTOCELL SETTINGS:

Integrated photocell switches the fixture on at night time. It can be easily deactivated by putting the cap on.



ORDERING INFORMATION

Model	UPC	Pcs. per carton	Carton size	Carton weight	GTIN 14
ASD-LSB5-150D50BR	810128110945	1	16.9" x 11.8" x 4.3"	8.6 lbs	-
ASD-LSB5-150D50BR-SF	810128113175	1	16.9" x 11.9" x 6.1"	10.4 lbs	-
ASD-LSB5-150D50BR-AMR	810128113267	1	16.9" x 11.9" x 8.1"	11.9 lbs	-
ASD-LSB5-200D50BR	810128110952	1	16.9" x 11.8" x 4.3"	8.6 lbs	-
ASD-LSB5-200D50BR-SF	810128113182	1	16.9" x 11.9" x 6.1"	10.4 lbs	-
ASD-LSB5-200D50BR-AMR	810128113274	1	16.9" x 11.9" x 8.1"	11.9 lbs	-
ASD-LSB5-240D50BR	810128112444	1	20.9" x 13.4" x 4.3"	11 lbs	-
ASD-LSB5-300D50BR	810128110976	1	20.9" x 13.4" x 4.3"	11 lbs	-
ASD-LSB5-300D50BR-SF	810128113199	1	20.9" x 13.5" x 5.7"	12.1 lbs	-
ASD-LSB5-300D50BR-AMR	810128113281	1	20.9" x 13.5" x 7.7"	12.8 lbs	-

ACCESSORIES:

Model	Description	UPC	Pcs. per carton	Carton size	Carton weight	GTIN 14
ASD-L2A-LSB5	Clear lens type II-M for 150-200W	810128114103	50	18.5" x 11" x 9.1"	25.4 lbs	10810128114100
ASD-L4A-LSB5	Clear lens type IV-S for 150-200W	810128114127	50	18.5" x 11" x 9.1"	25.4 lbs	10810128114124
ASD-L5A-LSB5	Clear lens type V-S for 150-200W	810128114141	50	18.5" x 11" x 9.1"	25.4 lbs	10810128114148
ASD-L2B-LSB5	Clear lens type II-M for 240-300W	810128114110	25	12.6" x 12.6" x 9.8"	19.1 lbs	10810128114117
ASD-L4B-LSB5	Clear lens type IV-S for 240-300W	810128114134	25	12.6" x 12.6" x 9.8"	19.1 lbs	10810128114131
ASD-L5B-LSB5	Clear lens type V-S for 240-300W	810128114158	25	12.6" x 12.6" x 9.8"	19.1 lbs	10810128114155
ASD-TR-LSB5-WH	Full trunnion mounting bracket white for 150-300W	810128113434	20	14.8" x 10.3" x 12.4"	44.1 lbs	10810128113431
ASD-TR-LSB5-SL	Full trunnion mounting bracket silver for 150-300W	810128111997	20	14.8" x 10.3" x 12.4"	44.1 lbs	10810128111994
ASD-TR-LSB5-BR	Full trunnion mounting bracket bronze for 150-300W	810128111058	20	14.8" x 10.3" x 12.4"	44.1 lbs	10810128111055
ASD-TR-LSB5-BK	Full trunnion mounting bracket black for 150-300W	810128111980	20	14.8" x 10.3" x 12.4"	44.1 lbs	10810128111987
ASD-SF-LSB5-WH	Slip fitter mounting bracket white for 150-300W	810128113304	20	15.5" x 17.7" x 11.1"	35.3 lbs	10810128113301
ASD-SF-LSB5-SL	Slip fitter mounting bracket silver for 150-300W	810128111973	20	15.5" x 17.7" x 11.1"	35.3 lbs	10810128111970
ASD-SF-LSB5-BR	Slip fitter mounting bracket bronze for 150-300W	810128111041	20	15.5" x 17.7" x 11.1"	35.3 lbs	20810128111045
ASD-SF-LSB5-BK	Slip fitter mounting bracket black for 150-300W	810128111966	20	15.5" x 17.7" x 11.1"	35.3 lbs	10810128111963
ASD-AMR-LSB5-WH	Adjustable arm mounting bracket white for 150-300W	810128113298	20	27.4" x 16.5" x 14"	52.9 lbs	10810128113295
ASD-AMR-LSB5-SL	Adjustable arm mounting bracket silver for 150-300W	810128112253	20	27.4" x 16.5" x 14"	52.9 lbs	20810128112257
ASD-AMR-LSB5-BR	Adjustable arm mounting bracket bronze for 150-300W	810128112246	20	27.4" x 16.5" x 14"	52.9 lbs	20810128112240
ASD-AMR-LSB5-BK	Adjustable arm mounting bracket black for 150-300W	810128112239	20	27.4" x 16.5" x 14"	52.9 lbs	20810128112233
ASD-FM1-LSB5-WH	Floodlight mounting bracket white for 150-200W	810128114073	10	13.2" x 15.9" x 12.8"	19.8 lbs	10810128114070
ASD-FM1-LSB5-SL	Floodlight mounting bracket silver for 150-200W	810128112024	10	13.2" x 15.9" x 12.8"	19.8 lbs	10810128112021
ASD-FM1-LSB5-BR	Floodlight mounting bracket bronze for 150-200W	810128112017	10	13.2" x 15.9" x 12.8"	19.8 lbs	10810128112014
ASD-FM1-LSB5-BK	Floodlight mounting bracket black for 150-200W	810128112000	10	13.2" x 15.9" x 12.8"	19.8 lbs	10810128112007
ASD-FM2-LSB5-WH	Floodlight mounting bracket white for 240-300W	810128114080	10	14.8" x 13.8" x 18.9"	26.5 lbs	10810128114087
ASD-FM2-LSB5-SL	Floodlight mounting bracket silver for 240-300W	810128113144	10	14.8" x 13.8" x 18.9"	26.5 lbs	10810128113141
ASD-FM2-LSB5-BR	Floodlight mounting bracket bronze for 240-300W	810128113137	10	14.8" x 13.8" x 18.9"	26.5 lbs	10810128113134
ASD-FM2-LSB5-BK	Floodlight mounting bracket black for 240-300W	810128113120	10	14.8" x 13.8" x 18.9"	26.5 lbs	10810128113127

For most up-to-date spec sheets please refer to asd-lighting.com