



LED SPORT LIGHT WITH EXTERNAL DRIVER

► **DESIGN** - LED SPORT LIGHT WITH EXTERNAL DRIVER has a die-cast aluminum housing with numerous vents on the heat sink for excellent heat dissipation. Advanced optics designed with unique multi-scale lenses provides uniform light distribution, while the glare-reduction maximizes the light output. It is designed to operate on 120-277V and 277-480V circuits with a 0-10V dimmable driver.

► Surge protection 10kV protects the fixture from voltage spikes and current surges.

► 3G vibration rated, withstands conditions with repeated vibration, making it conform to standards for roadway.

► **INSTALLATION** - This fixture is Wet Locations rated and has two mounting options with a standard floodlight bracket or a slip fitter. It comes with 6.5 ft cord. Perfect commercial or industrial solution for any outdoor sports lighting, parking lot lighting, dock lighting, high mast flood lighting, stadium lighting, and many other applications.

► **ADVANTAGES** - With calculated lifespan up to 153,000 hours, these fixtures are made to last decades under normal operation! ASD provides a 10-year limited warranty along with UL and DLC Premium certifications to guarantee top quality products and safety!

<i>Catalog number</i>	
<i>Notes</i>	
<i>Type</i>	



Model	Watts	Voltage	Dimmable	Lumens	CCT	Finish	Dimensions (LxWxH)	Beam angle
ASD-SPFL10-500D50	500W	120-277 V	0-10 V	75,512 lm	5,000 K	Black	26-3/16" x 14-3/4" x 15-11/16"	40°
ASD-SPFL10-750D50	750W	120-277 V	0-10 V	102,391 lm	5,000 K	Black	35-7/8" x 18-11/16" x 18-3/4"	40°
SPFL10HV HIGH VOLTAGE								
ASD-SPFL10HV-500D50	500W	277-480 V	0-10 V	77,930 lm	5,000 K	Black	26-3/16" x 14-3/4" x 15-11/16"	40°

ORDERING INFORMATION

Model	UPC	Pcs. per carton	Carton size	Carton weight
ASD-SPFL10-500D50	810050735421	1	22.8" x 19.1" x 12.6"	58.9 lbs
ASD-SPFL10-750D50	810050735438	1	27.8" x 22.6" x 14.8"	63.3 lbs
SPFL10HV HIGH VOLTAGE				
ASD-SPFL10HV-500D50	810050735445	1	22.8" x 19.1" x 12.6"	58.9 lbs

ACCESSORIES:

Model	Description	Pcs. per carton	Carton size	Carton weight	UPC	GTIN 14
ASD-SF1-SPFL10	Slip-fitter with straight arm bracket	5	19.9" x 15.9" x 12.4"	42.5 lbs	810050735452	10810050735459

For most up-to-date spec sheets please refer to asd-lighting.com

ASD LIGHTING CORP

E-mail: orders@asd-lighting.com | Web site: www.asd-lighting.com





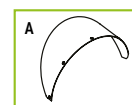
LED SPORT LIGHT WITH EXTERNAL DRIVER

PRODUCT SPECIFICATIONS:

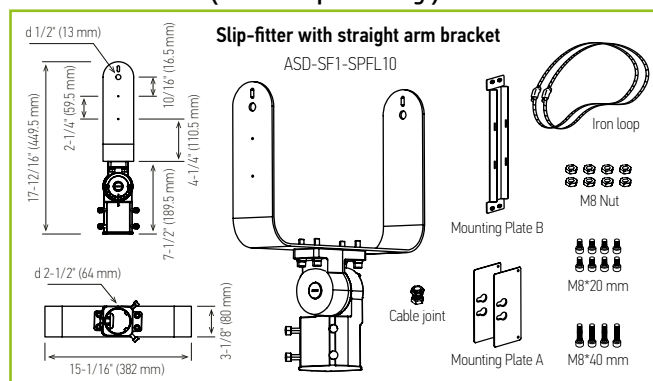
Construction & Materials			Effective projected area (EPA) ratings		
Housing	Aluminum		EPA of 500W	Side/front/top	0.72/1.4/1.89 ft ²
Lens	PC		EPA of 750W		0.19/2.18/2.98 ft ²
Visor	SPCC		Regular and voluntary certifications		
Fixture cord	6.5 ft		10-year limited warranty		
Driver cord	6.5 ft		DesignLights Consortium (DLC) listed (Classification: Premium)		
AWG	16		Main: Outdoor luminaires; General application: Very high output;		
Finish	Black		Primary use: Outdoor pole/arm-mounted area and roadway luminaires		
Weight	ASD-SPFL10-500D50	55.1 lbs (25 kg)	UL listed E473804		
	ASD-SPFL10-750D50	59.5 lbs (27 kg)			
	ASD-SPFL10HV-500D50	55.1 lbs (25 kg)			
Environmental system					
Work environment	Suitable for Wet Locations, IP66				
Operating temperature	-40°F to 122°F (-40°C to 50°C)				
L-70 Life	ASD-SPFL10-500D50	R > 36,000 hrs;			
	ASD-SPFL10-750D50	C > 153,000 hrs			
	ASD-SPFL10HV-500D50	R > 90,000 hrs;	C > 433,000 hrs		
Optical system					
Luminous flux	ASD-SPFL10-500D50	75,512 lm			
	ASD-SPFL10-750D50	102,391 lm			
	ASD-SPFL10HV-500D50	77,930 lm			
Color temperature	5,000 K				
CRI	> 70				
Electrical system					
Input voltage	Regular voltage: 120-277 V	High voltage: 277-480 V			
Max input current	ASD-SPFL10-500D50	4.17 A			
	ASD-SPFL10-750D50	6.25 A			
	ASD-SPFL10HV-500D50	1.44 A			
Inrush current (Action time)	ASD-SPFL10-500D50	26 A (0.57 S)			
	ASD-SPFL10-750D50	105 A (1 S)			
	ASD-SPFL10HV-500D50	148 A (0.85 S)			
Off state power	0W				
Power consumption	ASD-SPFL10-500D50	500W			
	ASD-SPFL10-750D50	750W			
	ASD-SPFL10HV-500D50	500W			
Power factor	> 0.9				
Output voltage	ASD-SPFL10-500D50	64 V			
	ASD-SPFL10-750D50	56 V			
	ASD-SPFL10HV-500D50	64 V			
Max output current	ASD-SPFL10-500D50	9.7 A			
	ASD-SPFL10-750D50	7.8 A			
	ASD-SPFL10HV-500D50	9.6 A			
Surge protection DM/CM	10 kV / 10 kV				
Dimming compatible controls					
Brand	Lutron	Leviton	Legrand	Eaton	
Models	NTSTV-DV	NTFTV	AWSMT-7DW	ADF120277	DF10P-C1
	DVSTV	DVTV	DD710-BDZ	DCLV1	

PACKAGE CONTENTS:

Description	Q-ty
LED Sport Light Fixture with external driver	1
Visor (A)	1
Box	1



ACCESSORIES (sold separately):



ACCESSORY COMPATIBILITY LIST:

Accessories	Slip-fitter with straight arm bracket ASD-SF1-SPFL10
Models	
ASD-SPFL10-500D50	•
ASD-SPFL10-750D50	
ASD-SPFL10HV-500D50	•

For most up-to-date spec sheets please refer to asd-lighting.com



LED SPORT LIGHT WITH EXTERNAL DRIVER

INSTALLATION GUIDE

IMPORTANT SAFETY INFORMATION:

Please read all the instructions below before installation.

- ▶ Make sure that the supply voltage corresponds to the rated product voltage.
- ▶ The product must be installed by a qualified electrician in accordance with the National Electrical Code and corresponding local codes.
- ▶ If the product is damaged, do not use it.

⚠ WARNING

RISK OF PERSONAL INJURY – READ and follow all WARNINGS and installation instructions. Keep or give to the owner for future reference.

Risk of cuts: Wear gloves to prevent cuts or abrasions when removing from carton, handling, installing, and maintaining this product.

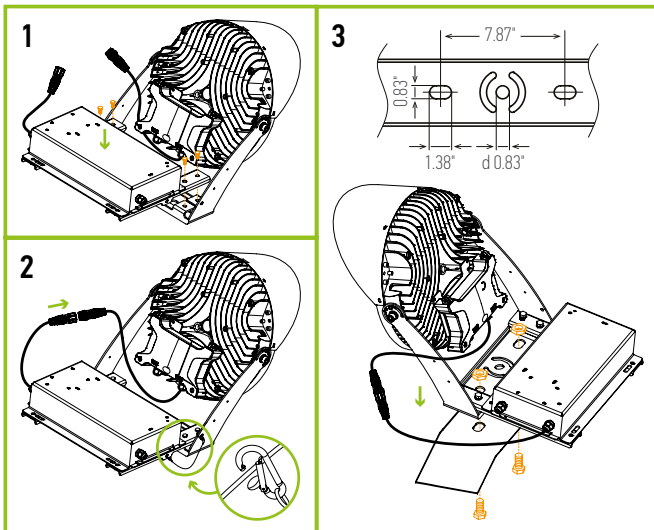
Risk of electric shock: This product must be installed in accordance with the applicable installation code by a person familiar with the construction and operation of the product and the hazards involved.

Risk of Fire: Minimum 194°F supply conductors. Consult a qualified electrician to ensure correct branch circuit conductor.

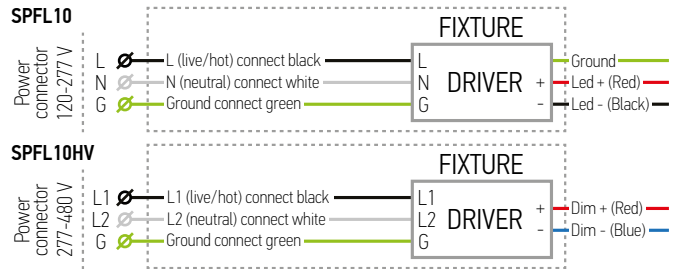
ASD® assumes no responsibility for claims arising out of improper or careless installation or handling of this product.

INSTALLATION STEPS:

1. Place the driver box on the mounting bracket.
2. Attach one side of the safety rope to the bracket and the other side to the installation hole of the driver box. Connect the waterproof terminal connector.
3. Place the fixture on the install stand and secure it using M10 screws (not fully screwed in).



ELECTRICAL SCHEMATIC DIAGRAM:



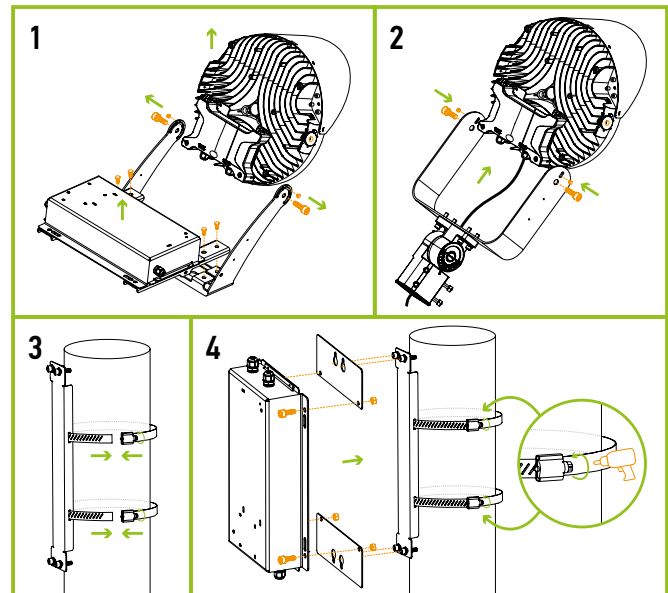
* The regular voltage 120-277V fixtures can be alternatively powered without neutral by two-phase circuit with phase-to-phase voltage of 208V (L1-120V & L2-120V).

WARNING: Phase-to-phase voltage should be less than 277V (160V per each phase) and more than 120V (70V per each phase)! Do not confuse Regular Voltage fixtures of 120-277V with High Voltage ones of 277-480V!

SLIP-FITTER INSTALLATION **ASD-SF1-SPFL10**

sold separately:

1. Remove the four M8 screws and the driver box. Then remove the two M12 and M15 screws from the left and right side of the bracket. Lastly, remove the rotatable bracket.
2. Install the new bracket and secure it with the two M12 and M15 screws. After installation, put the wiring cable through the slip fitter bracket.
3. Push the iron loop through the holes in mounting plate B and wrap it around the pole. Tighten the clamping screw and fasten it to the lamp pole.
4. Use four screws to secure mounting plate A (2pcs) to the driver box. Then secure the driver box to mounting plate B on the pole.



For most up-to-date spec sheets please refer to asd-lighting.com