



# VANITY LIGHT

- ▶ **DESIGN & OPTIONS** - VANITY LIGHT have a sleek, classic design and are made from steel and opal glass shades, offering very reliable illumination. It includes a standard E26 medium base which is compatible with a variety of incandescent or LED bulbs. They come in three sizes: 12" 2-light, 20" 3-light, and 28" 4-light with a SATIN NICKEL finish.
- ▶ **INSTALLATION** - This VANITY LIGHT can be installed either lights up or lights down depending on your preference. It must be hardwired, there is no switch or plug on the fixture itself. Installation is quick and easy: just attach the mounting bracket to the outlet box with screws, connect the wires, and secure the fixture to the mounting bracket. All mounting hardware is provided. Refer to install instructions for detailed steps.
- ▶ **APPLICATION** - This VANITY LIGHT is Damp location rated and provides optimal lighting for any bathroom. They can also be installed for bright light in your kitchen, bedroom, corridor, or any other common living area. It can be used as an additional light to an existing ceiling light as well.
- ▶ **ENERGY SAVINGS & EFFICIENCY** - This fixture is designed to support all kinds of bulbs with E26 sockets, but we strongly recommend using an LED bulb, not only for the high-quality lighting, but also for the appreciable savings.
- ▶ **CERTIFICATION & WARRANTY** - Buy with confidence: ASD provides a 3-year warranty along with ETL certification to guarantee top quality products and safety!

<i>Catalog number</i>	
<i>Notes</i>	
<i>Type</i>	



## VANITY LIGHT:

Model	Bulb Type	Finish	Shade	Dimensions (LxBxH)
ASD-VF44-2I-2660-NK	2 x E26 60W max	Satin Nickel	Opal Glass	12 3/8" x 6 3/8" x 7 1/2"
ASD-VF44-3I-2660-NK	3 x E26 60W max	Satin Nickel	Opal Glass	20 1/2" x 6 3/8" x 7 1/2"
ASD-VF44-4I-2660-NK	4 x E26 60W max	Satin Nickel	Opal Glass	28 3/4" x 6 3/8" x 7 1/2"

## ORDERING INFORMATION

### VANITY LIGHT:

Model	Bulb Type	UPC	Pcs. per Carton	Carton Size	Carton Weight	GTIN 14 for carton
ASD-VF44-2I-2660-NK	2xE26 60W max	810050732659	10	30.7" x 15.4" x 22.8"	33.7 lb	10810050732656
ASD-VF44-3I-2660-NK	3xE26 60W max	810050732666	8	24.4" x 21.7" x 22.8"	38.4 lb	10810050732663
ASD-VF44-4I-2660-NK	4xE26 60W max	810050732673	6	29.9" x 18.5" x 22.8"	36.2 lb	10810050732670

For most up-to-date spec sheets please refer to [asd-lighting.com](http://asd-lighting.com)



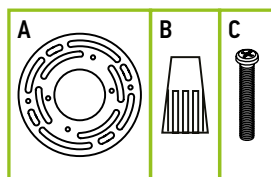
# VANITY LIGHT

## PRODUCT SPECIFICATIONS:

Construction & Materials			
Housing	Iron + Aluminum		
Finish	Satin Nickel		
Shade	Opal Glass		
Weight	ASD-VF44-2I-2660-NK	2.6 lb (1.2 kg)	
	ASD-VF44-3I-2660-NK	3.7 lb (1.7 kg)	
	ASD-VF44-4I-2660-NK	4.6 lb (2.1 kg)	
Environmental System			
Work Environment	Suitable for Damp Locations		
Operating Temperature	32°F to 104°F (0°C to 40°C)		
Electrical System			
Input Voltage	120 V		
Regular and Voluntary Certifications			
3-year limited warranty			
ETL certified			

## PACKAGE CONTENTS:

Description	Q-ty
Vanity light	1
Mounting Bracket (A)	1
Wire Connector (B)	3
Mounting Screw (C)	2
Box	1
Cut sheet	2



## INSTALLATION GUIDE

### IMPORTANT SAFETY INFORMATION:

Please read all the instructions below before installation.

- ▶ The product must be installed by a qualified electrician in accordance with the National Electrical Code and corresponding local codes.
- ▶ If the product is damaged, do not use it.

### ⚠ WARNING

**RISK OF PERSONAL INJURY – READ and follow all WARNINGS and installation instructions.**

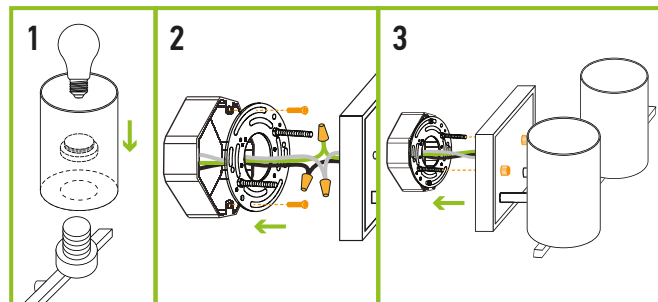
Keep or give to the owner for future reference.

**Risk of cuts:** Wear gloves to prevent cuts or abrasions when removing from carton, handling, installing, and maintaining this product.

ASD® assumes no responsibility for claims arising out of improper or careless installation or handling of this product.

### INSTALLATION STEPS:

1. Remove the plastic ring from the E26 socket, attach the glass shade and secure it with the plastic ring.
2. Drive the mounting screws into the mounting bracket and attach it to the outlet box using two outlet box screws. Connect the wires: Black to Black, White to White, Green to Green. Secure the connection with wire nuts. Carefully tuck all wires back into the outlet box.
3. Place the fixture on the wall by aligning the protruding mounting screws through the appropriate holes and tighten the fixture to the wall using two decorative nuts. Installation complete.



For most up-to-date spec sheets please refer to [asd-lighting.com](http://asd-lighting.com)