



LED SMD FLOODLIGHT with knuckle

► **DESIGN & OPTIONS** - LED FLOODLIGHT WITH ARM consumes a lot less energy and is much more efficient than all other widely used floodlights. The die-cast aluminum housing design is adapted to maximize heat dissipation on the surface, accelerate the air circulation, protect the LED chips, and to ensure long-term functioning at 120-277V. It comes in a 3000K, 4000K or 5000K color temperature and a BLACK, BRONZE or WHITE finish.

► **INSTALLATION** - This LED FLOODLIGHT WITH ARM comes with a sturdy metal arm bracket that can be positioned in a flexible, more convenient way. It can be mounted directly to electrical boxes or to poles with 1/2" threaded inserts. Refer to install instructions for detailed steps.

► **APPLICATION** - LED FLOODLIGHT WITH ARM is suitable for both indoor and outdoor applications such as: gardens, backyards, squares, factories, docks, stadiums, garages, streets, yards, exterior accent lighting for a house, outdoor shop lighting, or anywhere else lighting is needed. These lights are WET location rated and can operate in temperatures between -40°+122°F (-40°+50°C). This allows it to be utilized in a wide variety of applications and climates.

► **ENERGY SAVINGS & EFFICIENCY** - This fixture provides a lumen output equal to MH/HPS and can cut your electric bill by up to 80% instantly. With a lifespan of 54,000 hours, these fixtures are made to last decades under normal operation! This fixture will save you a significant amount of money in its lifetime.

► **CERTIFICATION & WARRANTY** - Buy with confidence: ASD provides a 5-year warranty along with UL certifications to guarantee top quality products and safety!

Catalog number	
Notes	
Type	



PRODUCT LEGEND:

Family	Knuckle	Watts	CCT	Finish
ASD-CSFL	X	XX	XX	X
COMPACT SMD Floodlight	A = with knuckle	10 = 10 W 20 = 20 W 30 = 30 W 50 = 50 W	30 = 3,000 K 40 = 4,000 K 50 = 5,000 K	Blank = Black W = White B = Bronze

LED SMD COMPACT FLOODLIGHT WITH KNUCKLE:

Model	LED	Watts	Dimming	CCT	Lumens	Finish	Dimensions (LxWxH)
ASD-CSFL-A1050	SMD	10 W	No	5,000 K	1,029 lm	Black	5 3/8" x 1 1/8" x 6 15/16"
ASD-CSFL-A1050-W	SMD	10 W	No	5,000 K	1,029 lm	White	5 3/8" x 1 1/8" x 6 15/16"
ASD-CSFL-A2030-B	SMD	20 W	No	3,000 K	1,715 lm	Bronze	7 1/2" x 1 3/8" x 8 1/2"
ASD-CSFL-A2040-B	SMD	20 W	No	4,000 K	1,748 lm	Bronze	7 1/2" x 1 3/8" x 8 1/2"
ASD-CSFL-A2050	SMD	20 W	No	5,000 K	1,865 lm	Black	7 1/2" x 1 3/8" x 8 1/2"
ASD-CSFL-A2050-W	SMD	20 W	No	5,000 K	1,865 lm	White	7 1/2" x 1 3/8" x 8 1/2"
ASD-CSFL-A3030-B	SMD	30 W	No	3,000 K	2,698 lm	Bronze	9 5/16" x 1 5/8" x 10 1/8"
ASD-CSFL-A3040-B	SMD	30 W	No	4,000 K	2,754 lm	Bronze	9 5/16" x 1 5/8" x 10 1/8"
ASD-CSFL-A3050	SMD	30 W	No	5,000 K	2,877 lm	Black	9 5/16" x 1 5/8" x 10 1/8"
ASD-CSFL-A3050-W	SMD	30 W	No	5,000 K	2,877 lm	White	9 5/16" x 1 5/8" x 10 1/8"
ASD-CSFL-A5030-B	SMD	50 W	No	3,000 K	4,204 lm	Bronze	9 5/16" x 1 5/8" x 10 1/8"
ASD-CSFL-A5040-B	SMD	50 W	No	4,000 K	4,284 lm	Bronze	9 5/16" x 1 5/8" x 10 1/8"
ASD-CSFL-A5050	SMD	50 W	No	5,000 K	4,534 lm	Black	9 5/16" x 1 5/8" x 10 1/8"
ASD-CSFL-A5050-W	SMD	50 W	No	5,000 K	4,534 lm	White	9 5/16" x 1 5/8" x 10 1/8"

For most up-to-date spec sheets please refer to asd-lighting.com





LED SMD FLOODLIGHT with knuckle

PRODUCT SPECIFICATIONS:

Construction & Materials									
Housing	Aluminum								
Reflector	Aluminum								
Glass	Tempered glass								
Mounting	½" NPS threaded locking swivel arm								
Finish	Black, White, Bronze								
Weight	ASD-CSFL-A1050	1.1 lbs (0.5 kg)	ASD-CSFL-A2030-B	2 lbs (0.9 kg)	ASD-CSFL-A3030-B	3.3 lbs (1.5 kg)	ASD-CSFL-A5030-B	3.4 lbs (1.6 kg)	
	ASD-CSFL-A1050-W		ASD-CSFL-A2040-B		ASD-CSFL-A3040-B		ASD-CSFL-A5040-B		
			ASD-CSFL-A2050		ASD-CSFL-A3050		ASD-CSFL-A5050		
			ASD-CSFL-A2050-W		ASD-CSFL-A3050-W		ASD-CSFL-A5050-W		
Environmental System									
Work Environment	Suitable for Wet Locations, IP65								
Operating Temperature	-40°F to 122°F (-40°C to 50°C)								
L-70 Life	R > 54,000 hrs; C > 74,000 hrs								
Optical System									
Luminous Flux	ASD-CSFL-A1050	1,029 lm	ASD-CSFL-A2030-B	1,715 lm	ASD-CSFL-A3030-B	2,698 lm	ASD-CSFL-A5030-B	4,204 lm	
	ASD-CSFL-A1050-W		ASD-CSFL-A2040-B	1,748 lm	ASD-CSFL-A3040-B	2,754 lm	ASD-CSFL-A5040-B	4,284 lm	
			ASD-CSFL-A2050	1,865 lm	ASD-CSFL-A3050	2,877 lm	ASD-CSFL-A5050	4,534 lm	
			ASD-CSFL-A2050-W		ASD-CSFL-A3050-W		ASD-CSFL-A5050-W		
Color Temperature	3,000 K, 4,000 K, 5,000 K								
CRI	>80								
Electrical System									
Input Voltage	120-277 V								
Max input current	ASD-CSFL-A1050	0.1 A	ASD-CSFL-A2030-B	0.2 A	ASD-CSFL-A3030-B	0.3 A	ASD-CSFL-A5030-B	0.5 A	
	ASD-CSFL-A1050-W		ASD-CSFL-A2040-B		ASD-CSFL-A3040-B		ASD-CSFL-A5040-B		
			ASD-CSFL-A2050		ASD-CSFL-A3050		ASD-CSFL-A5050		
			ASD-CSFL-A2050-W		ASD-CSFL-A3050-W		ASD-CSFL-A5050-W		
Inrush current (Action time)	ASD-CSFL-A1050	20 A (0.8 S)	ASD-CSFL-A2030-B	45 A (1 S)	ASD-CSFL-A3030-B	50 A (1 S)	ASD-CSFL-A5030-B	55 A (1.2 S)	
	ASD-CSFL-A1050-W		ASD-CSFL-A2040-B		ASD-CSFL-A3040-B		ASD-CSFL-A5040-B		
			ASD-CSFL-A2050		ASD-CSFL-A3050		ASD-CSFL-A5050		
			ASD-CSFL-A2050-W		ASD-CSFL-A3050-W		ASD-CSFL-A5050-W		
AC input range	min 90 V max 285 V								
Off State Power	0 W								
Power Consumption	ASD-CSFL-A1050	10 W	ASD-CSFL-A2030-B	20 W	ASD-CSFL-A3030-B	30 W	ASD-CSFL-A5030-B	50 W	
	ASD-CSFL-A1050-W		ASD-CSFL-A2040-B		ASD-CSFL-A3040-B		ASD-CSFL-A5040-B		
			ASD-CSFL-A2050		ASD-CSFL-A3050		ASD-CSFL-A5050		
			ASD-CSFL-A2050-W		ASD-CSFL-A3050-W		ASD-CSFL-A5050-W		
Power Factor	> 0.9								
Output voltage	50-70 V								
Max output current	ASD-CSFL-A1050	120 mA	ASD-CSFL-A2030-B	280 mA	ASD-CSFL-A3030-B	280 mA	ASD-CSFL-A5030-B	580 mA	
	ASD-CSFL-A1050-W		ASD-CSFL-A2040-B		ASD-CSFL-A3040-B		ASD-CSFL-A5040-B		
			ASD-CSFL-A2050		ASD-CSFL-A3050		ASD-CSFL-A5050		
			ASD-CSFL-A2050-W		ASD-CSFL-A3050-W		ASD-CSFL-A5050-W		
LED driver class	Class 2								
Regular and Voluntary Certifications									
5-year limited warranty									
cULus certified E473804									

PACKAGE CONTENTS:

Description	Q-ty
LED SMD Compact Floodlight Fixture	1
Box	1
Cut Sheet	3

For most up-to-date spec sheets please refer to asd-lighting.com



LED SMD FLOODLIGHT with knuckle

INSTALLATION GUIDE

IMPORTANT SAFETY INFORMATION:

Please read all the instructions below before installation.

- ▶ Make sure that the supply voltage corresponds to the rated product voltage.
- ▶ The product must be installed by a qualified electrician in accordance with the National Electrical Code and corresponding local codes.
- ▶ If the product is damaged, do not use it.

⚠ WARNING

RISK OF PERSONAL INJURY – READ and follow all WARNINGS and installation instructions.

Keep or give to the owner for future reference.

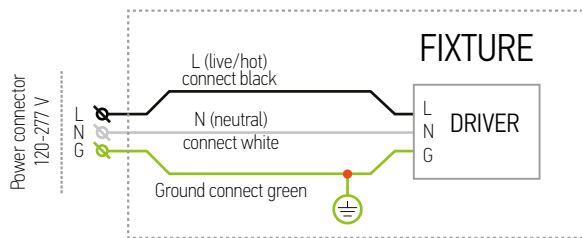
Risk of cuts: Wear gloves to prevent cuts or abrasions when removing from carton, handling, installing, and maintaining this product.

Risk of electric shock: This product must be installed in accordance with the applicable installation code by a person familiar with the construction and operation of the product and the hazards involved.

Risk of Fire: Minimum 194°F supply conductors. Consult a qualified electrician to ensure correct branch circuit conductor.

ASD® assumes no responsibility for claims arising out of improper or careless installation or handling of this product.

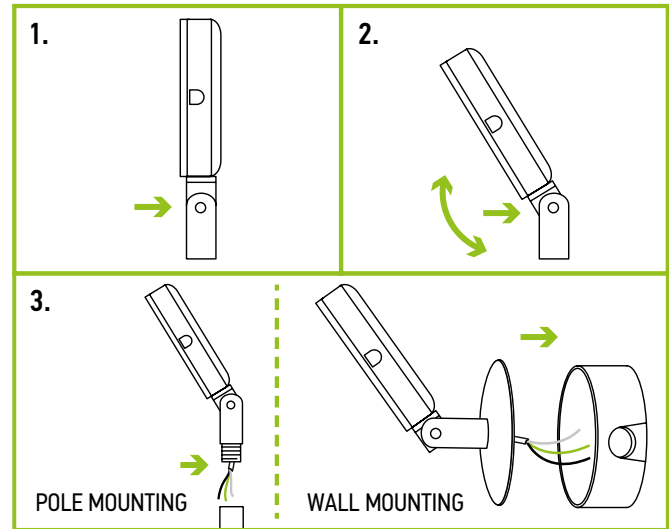
ELECTRICAL SCHEMATIC DIAGRAM:



INSTALLATION STEPS:

1. Turn off the main power. Use a wrench to loosen the screw on the arm.
2. Adjust the arm (the arm allows you to choose the necessary light direction and to set the desired angle of a lighting fixture). Tighten the screw.
3. The floodlight can be mounted directly to an electrical box or to a pole with a 3/4" threaded insert.

Connect the wires: Black to Black, White to White, Green to Green from the fixture to the existing wires in a properly installed and grounded UL listed junction box for power with suitable strain relief for power cord. Turn on the main power.



ORDERING INFORMATION

Model	Watts	UPC	GTIN 14	Pcs in one Carton	Carton Size	Carton Weight
ASD-CSFL-A1050	10 W	855029006331	20855029005335	20	15.35" x 10.23" x 13.18"	25.74 lbs
ASD-CSFL-A1050-W	10 W	819201020836	10819201020833	20	15.35" x 10.23" x 13.18"	25.74 lbs
ASD-CSFL-A2030-B	20 W	819201021833	10819201021830	16	18.5" x 8.26" x 16.93"	41.58 lbs
ASD-CSFL-A2040-B	20 W	819201021802	10819201021809	16	18.5" x 8.26" x 16.93"	41.58 lbs
ASD-CSFL-A2050	20 W	855029006348	20855029006342	16	18.5" x 8.26" x 16.93"	41.58 lbs
ASD-CSFL-A2050-W	20 W	819201020843	10819201020840	16	18.5" x 8.26" x 16.93"	41.58 lbs
ASD-CSFL-A3030-B	30 W	819201021840	10819201021847	10	20.47" x 12.99" x 11.61"	37.18 lbs
ASD-CSFL-A3040-B	30 W	819201021819	10819201021816	10	20.47" x 12.99" x 11.61"	37.18 lbs
ASD-CSFL-A3050	30 W	855029006355	10855029006352	10	20.47" x 12.99" x 11.61"	37.18 lbs
ASD-CSFL-A3050-W	30 W	819201020850	10819201020857	10	20.47" x 12.99" x 11.61"	37.18 lbs
ASD-CSFL-A5030-B	50 W	819201021857	10819201021854	10	20.47" x 12.99" x 11.61"	37.18 lbs
ASD-CSFL-A5040-B	50 W	819201021826	10819201021823	10	20.47" x 12.99" x 11.61"	37.18 lbs
ASD-CSFL-A5050	50 W	855029006362	10855029006369	10	20.47" x 12.99" x 11.61"	38.06 lbs
ASD-CSFL-A5050-W	50 W	819201020867	10819201020864	10	20.47" x 12.99" x 11.61"	38.06 lbs

For most up-to-date spec sheets please refer to asd-lighting.com